



# SP-4230

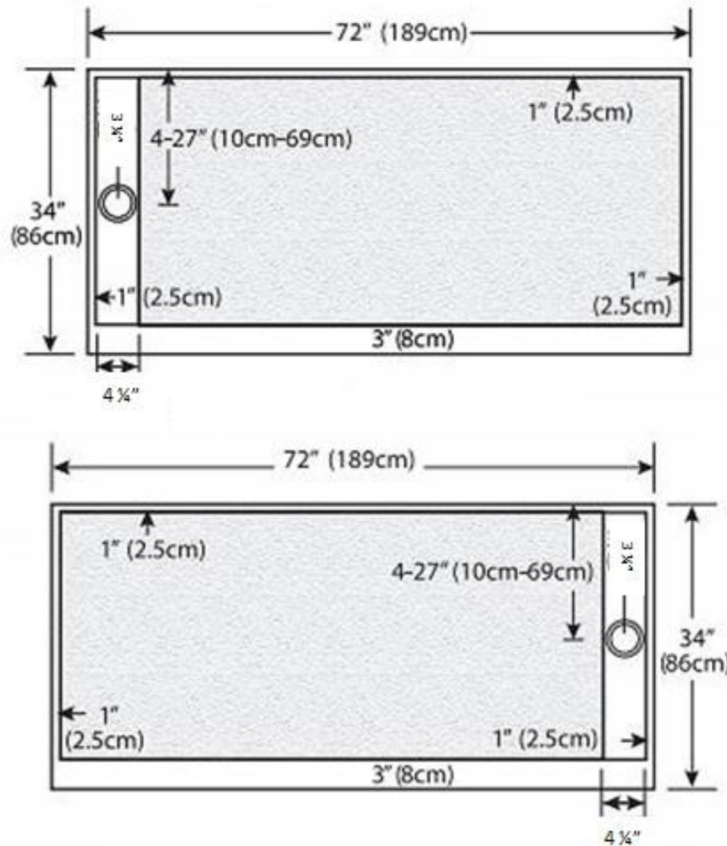


## Standard Features:

- Solid one – piece construction.
- Pre leveled rests on subfloor.
- Mold and mildew resistant.
- Bacteria resistant.
- Textured non - slip finish.
- Abrasion resistan gelcoat surface.
- Stainless steel trench drain cover.
- \* Trench cover no included.

## Specifications:

- Size: 34" x 72" size.
- Drain: Center 17 - 3 ½.
- Trench: 4 ½ width.



NOTE: In the casting process slight shrinkage in length will occur 1/8" - 1/2"

[www.ffeinternational.ca](http://www.ffeinternational.ca)

660 Mgr Dubois, Suite 100, Saint-Jérôme, Québec J7Y 3L8

☎ (450) 990-2002

☎ (450) 432-3383