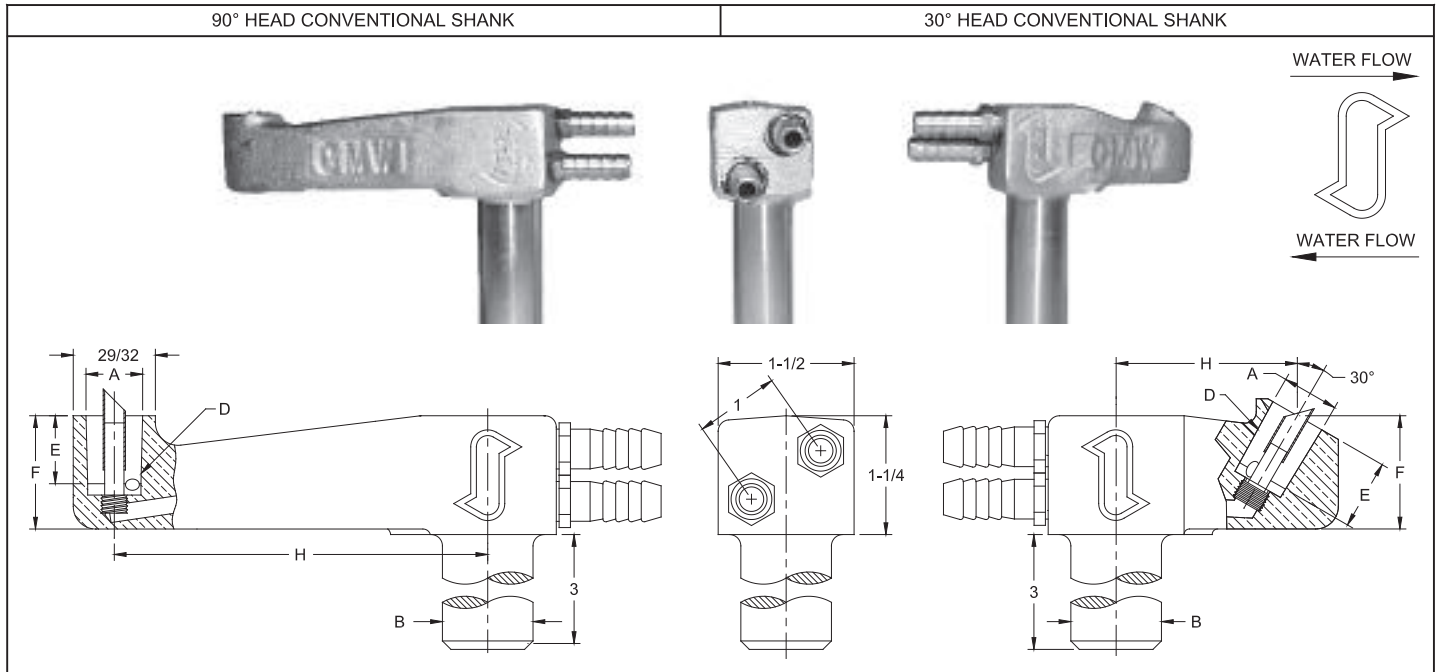


## 400 SERIES OFFSET (NON-EJECTOR) WATER COOLED ELECTRODE HOLDERS



400 SERIES OFFSET HOLDER (CONVENTIONAL SHANK 90°)						
Part No. Holder Assy.	Major Taper Dia. A*	Shank Dia. B*	RW Taper D	Engagement With Electrode E	Head Height F	Offset H
18-402	.463	7/8	4 RW	1/2	1-1/16	2
18-403		1				
18-404		1-1/4				
18-407	.625	7/8	5 RW	3/4	1-1/4	2
18-408		1				
18-409		1-1/4				
18-422	.463	7/8	4 RW	1/2	1-1/16	4
18-423		1				
18-424		1-1/4				
18-428	.625	1	5 RW	3/4	1-1/4	4
18-429		1-1/4				

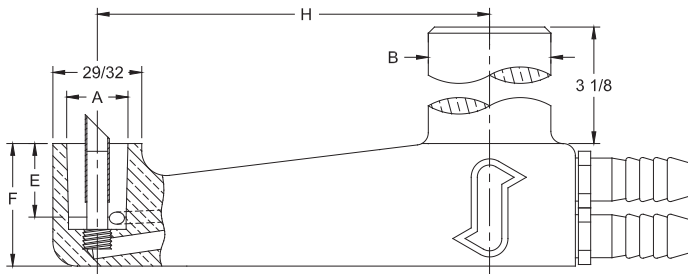
400 SERIES OFFSET HOLDER (CONVENTIONAL SHANK 30°)						
Part No. Holder Assy.	Major Taper Dia. A*	Shank Dia. B*	RW Taper D	Engagement With Electrode E	Head Height F	Offset H
18-442	.463	7/8	4 RW	1/2	1	2
18-443		1				
18-444		1-1/4				
18-448	.625	1	5 RW	3/4	1-1/4	2
18-449		1-1/4				
18-462	.463	7/8	4 RW	1/2	1	4
18-463		1				
18-464		1-1/4				
18-468	.625	1	5 RW	3/4	1-1/4	4
18-469		1-1/4				

\*Other shank diameters and lengths or tapers available on special order

\*Other shank diameters and lengths or tapers available on special order

## 400 SERIES OFFSET (NON-EJECTOR) WATER COOLED ELECTRODE HOLDERS

### 90° HEAD REVERSE SHANK



400 SERIES OFFSET HOLDER (REVERSE SHANK 90°)						
Part No. Holder Assy.	Major Taper Dia. A*	Shank Dia. B*	RW Taper D	Engagement With Electrode E	Head Height F	Offset H
18-433	.463	1	4 RW	1/2	1-1/16	4
18-439	.625	1-1/4	5 RW	3/4	1-1/4	4

\*Other shank diameters and lengths or tapers available on special order