

Long Range, Narrow Field-of-View PIR Sensor TTech-83

Features

- Passive Non-Contact Monitoring
- Low Power Consumption
- High Environmental Noise Rejection
- Water Resistant
- No Interference Between Units
- Fast Response
- Indoor/Outdoor Operation

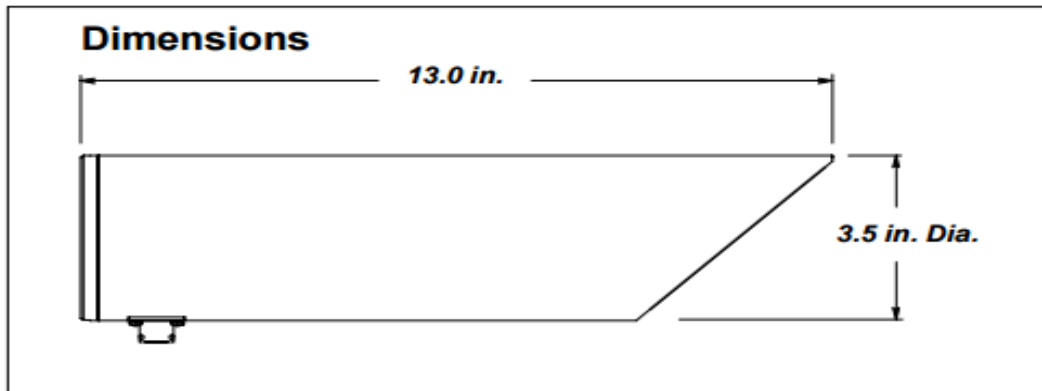
Applications

- Border Surveillance
- Perimeter Protection
- Rapid Deployment
- Fire and Explosion Detection
- Motion Sensing (People, vehicles, boats, animals)
- Industrial Sensing

Perimeter Protection, Border Security, Tactical Surveillance, Airfield Security

- The TTech-83 generates an invisible, narrow field-of-view, passive inferred detection zone which will detect subjects and vehicles passing through it.
- Subjects can be detected at 500'+ away and Vehicles at 1,000' and beyond. Field-Of-View at a range of 500', is 7' X 12'.
- The TTech-83 is manufactured in a rugged, watertight, hermetically sealed housing which makes it the ideal sensor for harsh outdoor applications.
- The state-of-the-art precision optics, coupled with advanced signal processing allows for the enhanced discrimination of moving targets.
- The TTech-83 has a standard full 1 year warranty.

General Specifications



Mechanical

Weight	2 lbs, 12 oz
Size	3.50" (8.89 cm) dia x 12.93" (32.84 cm) long
Enclosure	Painted PVC, hermetically sealed
Color	O.D. Green (other colors available as special order)

Optical

Nominal Range	500 ft (152 m) with appropriate customer-supplied electronics
Spectral Response	8 to 14 microns, double filtered
Detectors	Two channel Lithium Tantalate Pyroelectric

Electrical

Supply Voltage	3 to 15 VDC
Supply Current	25µA max
Output	Analog

Environmental

Operating Temperature Range	-40° to +70°C
Storage Temperature Range	-40° to +70°C
Atmospheric Pressure	1 atmosphere (15 PSI) positive or negative (vacuum)
Sealing	Watertight hermetic seal

Note: Housing is hermetically sealed and nitrogen backfilled to prevent condensation of moisture on the optics at low temperature. Any disassembly of this unit will break the seal and void the warranty.

