



Prices effective October 3, 2022

# Sayl® Chairs

HermanMiller list prices shown are in USD. For HermanMiller Canadian prices, multiply the USD list price by a factor of 1.15---effective October 2022.

<b>Introduction</b>	<b>page 2</b>
<b>Sayl® Chairs</b>	<b>3</b>
Work Chairs	5
Work Stools	30
Side Chairs	50
Accessories	56
Gaming Chair	59
<b>Indices</b>	<b>61</b>
By Name	61
By Number	63
<b>Appendices</b>	
20-Day or Less/Assigned Lead-Time Order Information	
Casters and Glides	
Fire Retardancy-Seating	
Proprietary Textiles Application Chart-Seating	
Proprietary Textile Colors-Seating	
Maharam® Application Chart-Seating	
Maharam Colors-Seating	
<b>For the latest materials information, refer to the Materials pages on HermanMiller.com.</b>	

# Introduction

## A Note on the Organization of This Book

There are a few signals that will help you understand the organization of this book. Once you know them, you should be able to find your way around easily.

### Like a newspaper, this book is formatted with columns of text and illustrations that run vertically.

Information wraps from one column to the next and continues for as many pages as it needs to.

### Black bars are clues.

A black bar at the top of a page signals the start of information about a product.

This information is divided into two sections, each signaled by a black bar. Product Information includes a description, additional notes, and dimensional drawings. Specification Information, which always begins at the top of a column, includes a series of steps. Each step represents a decision you need to make in order to complete your product number. Steps must be followed sequentially. The number of pages needed to complete information on a product varies; some will be complete in one page; others may fill three or four pages. Just continue going through the steps until you run into the next product, signaled by the black bar at the top of the page.

Black tabs running along the outside edge of the page help you locate what section you are in or what section you want to go to. You can thumb forwards or backwards to find a section; tabs and text appear on both sides of the page.

The additional pages in the back of the book include the appendices and indices. They are signaled by a long black bar running along the outside edge of the page.

### The index is presented two ways.

The first index is in alphabetical order by product name. It can be helpful if you are new to the products and numbering scheme or if you are looking for a type of product, such as work chair or round table.

The second index is by product number. It lists, in alphanumeric order, the base product number, typically a five-digit number.

## General Information

This book is effective October 3, 2022, subject to change without notice. Products may be purchased from authorized Herman Miller dealers who will quote prices upon request. For more information about our products and services or to see a list of dealers, visit [www.HermanMiller.com](http://www.HermanMiller.com).


All prices are list prices. Additional services, such as planning services, design, storage, and installation, are not included and must be added to these prices when the additional services are requested.


Illustrations, specifications, and prices are based on the latest information at the time of publication. The right is reserved to make changes at any time without notice in prices, fabrics, finishes, materials, specifications, and models, and also to discontinue models and finishes.

Dimensions shown in the drawings are engineering drawing dimensions rounded up to the nearest  $\frac{1}{8}$ ". Product is shipped set up or knocked down. Products that include "Shipped knocked down" in the description require some assembly. If this statement does not appear in the description, the product is shipped assembled.

Service problems are normally handled by a Herman Miller authorized dealer. Where this cannot be accomplished on a local level, service problems should be referred to the Customer Care Representative for your region, Herman Miller, Inc., Zeeland, Michigan 49464.

### 20-Day or Less/Assigned Lead-Time Shipments

All products and options in this price book not designated by an Assigned Program icon  will ship in **20 business days or less** after being acknowledged by Herman Miller.

Products and options designated by an  are on the assigned lead-time program and may ship in 20 days, less than 20 days, or more than 20 days from order acknowledgement.

**Work Chairs**

**Work Stools**

**Side Chairs**

**Accessories**

**Gaming Chairs**



Work Chair, Suspension  
Mid-Back, Value Package,  
Assembled

AS1VA



**Product Information**

**Description**

This fully-assembled chair has a frameless 3D Intelligent® Suspension back that allows freedom of movement, while providing targeted back support and moving heat away from the body. The suspension is supported by a Y-Tower® and anchored at the bottom by the ArcSpan®. The chair has an upholstered seat with foam padding and passive Posturefit® back support. The synchronous tilt provides continuous balance and lets the body recline naturally, pivoting at the ankles, knees, and hips. The chair has a 5-star base and 3 height-adjustment options.

Tilt options include a tilt limiter and tilt limiter with seat angle. The tilt limiter allows the user to set the tilt range to limit the amount of recline. The tilt limiter with seat angle allows the user to set the tilt range and select a 5° forward seat angle.

Seat options include a fixed 16" seat depth, or an adjustable seat depth that allows the user to adjust the depth from 16" to 18".

Back-support options include a standard option with no additional support, and an adjustable lumbar support option. The standard option has passive Posturefit back support molded directly into the strands of the suspension material, providing targeted support at the base of the back, below the beltline, that helps achieve healthier posture and improved lower back comfort. The adjustable lumbar support option adds a user-adjustable lumbar that adjusts 4" in height.

Arm choices include a no arm option; a fixed, non-adjustable option; a height adjustable option that allows the arms to move 4" vertically; and a fully adjustable option that allows the arms to move 4" vertically, 1 3/8" horizontally, 2" front-to-back, with arm pads that pivot 11° inward and 11° outward.

**Notes**

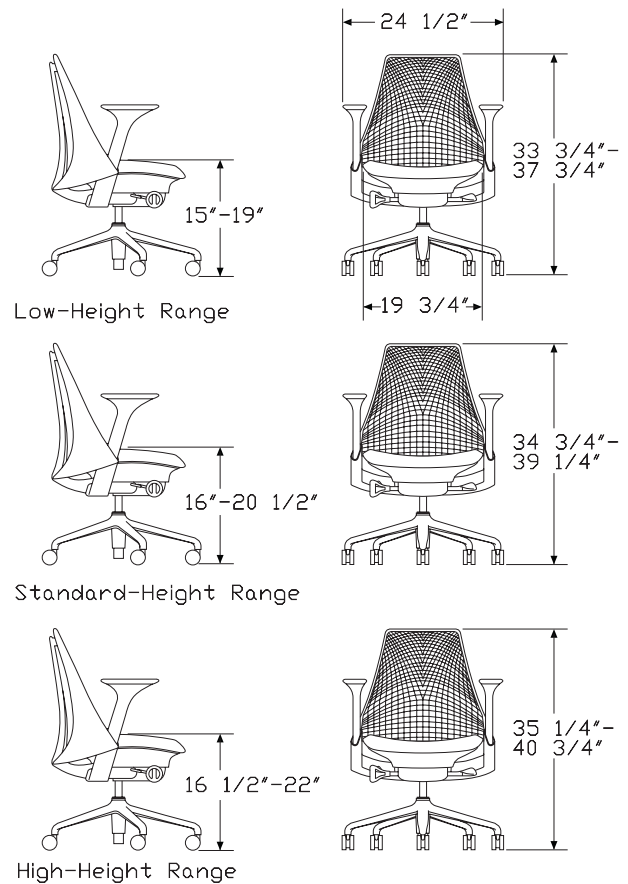
Value package chair is upholstered with a Crossover textile in a black finish; all chair finishes are black (Y-Tower, arm pads, arms, tilt cover and base).

To order chair ready-to-assemble, specify AS2VA. Pricing same as fully assembled.

Arms can be removed in the field with no tools required.

For information on casters and glides, see Casters and Glides in Appendices.

**Dimensions**



# Work Chair, Suspension Mid-Back, Value Package, Assembled

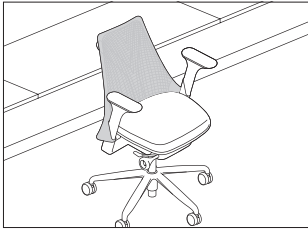
continued

Sayl® Work Chairs

Specification Information		
Step 1.		
<b>AS1VA</b>		
Step 2. Height Adjustment		
<b>1</b>	low-height range <input type="checkbox"/> A	+\$874
<b>2</b>	standard-height range	+\$874
<b>3</b>	high-height range	+\$933
Step 3. Tilt		
<b>2</b>	tilt limiter	+\$0
<b>3</b>	tilt limiter and seat angle	+\$51
Step 4. Arms		
<b>N</b>	no arms	+\$0
<b>P</b>	fixed arms	+\$102
<b>H</b>	height-adjustable arms	+\$173
<b>A</b>	fully adjustable arms	+\$241
Step 5. Seat-Depth Adjustment		
<b>F</b>	fixed seat depth	+\$0
<b>A</b>	adjustable seat depth	+\$88
Step 6. Fire Retardancy		
<i>For not fire retardant (*), skip this step.</i>		
	not fire retardant	+\$0
Step 7. Back Support Option		
<b>N2</b>	no additional support	+\$0
<b>AJ</b>	adjustable lumbar support	+\$55
Step 8. Casters		
<b>BB</b>	2½" hard caster, black yoke, carpet only	+\$0
<b>GF</b>	2½" glide, hard floors or carpet	+\$25
<b>C7</b>	2½" caster, black yoke, hard floors or carpet	+\$50
<b>C9</b>	2½" braking caster, black yoke, hard floors or carpet	+\$50

Work Chair, Suspension  
Mid-Back, Stretch Knit Back  
Cover, Value Package

AS1VB



**Product Information**

**Description**

This fully-assembled chair has a frameless 3D Intelligent® Suspension back and a Stretch knit back cover that allow freedom of movement while providing targeted back support and moving heat away from the body. The suspension is supported by a Y-Tower®. The knit back cover provides a soft layer and has a knit-to-fit construction with elastomeric yarns that allows it to flex as the user moves. The synchronous tilt provides continuous balance and lets the body recline naturally, pivoting at the ankles, knees, and hips. The chair has a 5-star base and 3 height-adjustment options.

Tilt options include a tilt limiter and tilt limiter with seat angle. The tilt limiter allows the user to set the tilt range to limit the amount of recline. The tilt limiter with seat angle allows the user to set the tilt range and select a 5° forward seat angle.

The chair has an upholstered seat. Seat options include a fixed 16" seat depth, or an adjustable seat depth that allows the user to adjust the depth from 16" to 18".

Back-support options include a standard option with no additional support, and an adjustable lumbar support option. The standard option has passive PostureFit® back support molded directly into the strands of the suspension material, providing targeted support at the base of the back, below the beltline, that helps achieve healthier posture and improved lower back comfort. The adjustable lumbar support option adds a user-adjustable lumbar that adjusts 4" in height.

Arm choices include a no arm option; a fixed, non-adjustable option; a height adjustable option that allows the arms to move 4" vertically; and a fully adjustable option that allows the arms to move 4" vertically, 1 3/8" horizontally, 2" front-to-back, with arm pads that pivot 11° inward and 11° outward.

**Notes**

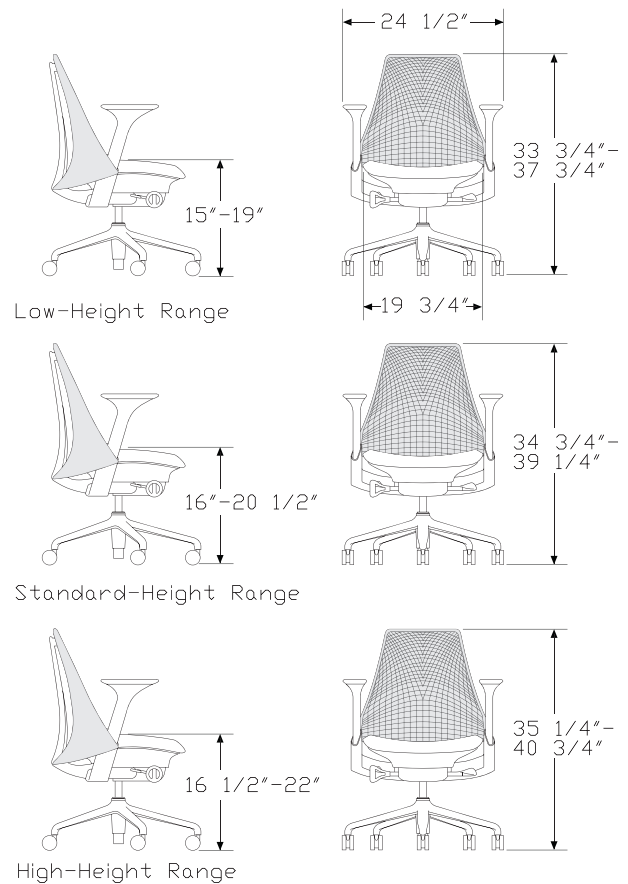
Value package chair is upholstered with a Crossover textile in a black finish; all chair finishes are black (suspension back, stretch knit back cover, Y-Tower, arm pads, arms, tilt cover and base).

To order chair ready-to-assemble, specify AS2VB. Pricing same as fully assembled.

Arms and Stretch knit back cover can be removed in the field with no tools required.

For information on casters and glides, see Casters and Glides in Appendices.

**Dimensions**



# Work Chair, Suspension Mid-Back, Stretch Knit Back Cover, Value Package *continued*

## Specification Information

### Step 1.

**AS1VB**  A

### Step 2. Height Adjustment

<b>1</b>	low-height range <input type="checkbox"/> A	+\$1003
<b>2</b>	standard-height range <input type="checkbox"/> A	+\$1003
<b>3</b>	high-height range	+\$1061

### Step 3. Tilt

<b>2</b>	tilt limiter <input type="checkbox"/> A	+\$0
<b>3</b>	tilt limiter and seat angle	+\$51

### Step 4. Arms

<b>N</b>	no arms	+\$0
<b>P</b>	fixed arms	+\$102
<b>H</b>	height-adjustable arms	+\$173
<b>A</b>	fully adjustable arms <input type="checkbox"/> A	+\$241

### Step 5. Seat-Depth Adjustment

<b>F</b>	fixed seat depth	+\$0
<b>A</b>	adjustable seat depth <input type="checkbox"/> A	+\$88

### Step 6. Fire Retardancy

*For not fire retardant (\*), skip this step.*

	not fire retardant <input type="checkbox"/> A	+\$0
--	---	------

### Step 7. Back Support Option

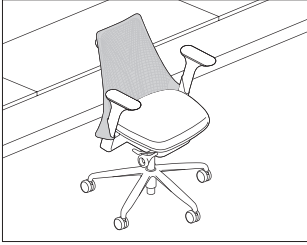
<b>N2</b>	no additional support <input type="checkbox"/> A	+\$0
<b>AJ</b>	adjustable lumbar support	+\$55

### Step 8. Casters

<b>BB</b>	2½" hard caster, black yoke, carpet only <input type="checkbox"/> A	+\$0
<b>GF</b>	2½" glide, hard floors or carpet	+\$25
<b>C7</b>	2½" caster, black yoke, hard floors or carpet <input type="checkbox"/> A	+\$50
<b>C9</b>	2½" braking caster, black yoke, hard floors or carpet	+\$50



Work Chair, Suspension AS2VB  
 Mid-Back with Stretch Knit Back  
 Cover, Value Package, RTA



**Product Information**

**Description**

This ready-to-assemble chair has a frameless 3D Intelligent® Suspension back and a Stretch knit back cover that allow freedom of movement while providing targeted back support and moving heat away from the body. The suspension is supported by a Y-Tower®. The knit back cover provides a soft layer and has a knit-to-fit construction with elastomeric yarns that allows it to flex as the user moves. The synchronous tilt provides continuous balance and lets the body recline naturally, pivoting at the ankles, knees, and hips. The chair has a 5-star base and 3 height-adjustment options. Shipped knocked down and is ready to assemble with no tools required.

Tilt options include a tilt limiter and tilt limiter with seat angle. The tilt limiter allows the user to set the tilt range to limit the amount of recline. The tilt limiter with seat angle allows the user to set the tilt range and select a 5° forward seat angle.

The chair has an upholstered seat. Seat options include a fixed 16" seat depth, or an adjustable seat depth that allows the user to adjust the depth from 16" to 18".

Back-support options include a standard option with no additional support, and an adjustable lumbar support option. The standard option has passive PostureFit® back support molded directly into the strands of the suspension material, providing targeted support at the base of the back, below the beltline, that helps achieve healthier posture and improved lower back comfort. The adjustable lumbar support option adds a user-adjustable lumbar that adjusts 4" in height.

Arm choices include a no arm option; a fixed, non-adjustable option; a height adjustable option that allows the arms to move 4" vertically; and a fully adjustable option that allows the arms to move 4" vertically, 1 3/8" horizontally, 2" front-to-back, with ampads that pivot 11° inward and 11° outward.

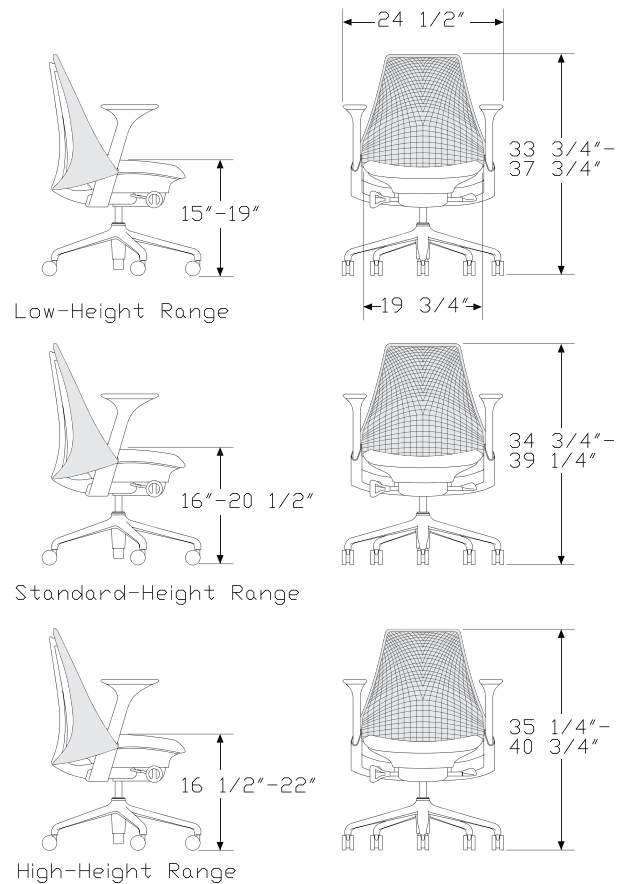
**Notes**

Value package chair is upholstered with a Crossover textile in a black finish; all chair finishes are black (suspension back, stretch knit back cover, Y-Tower, ampads, arms, tilt cover and base).

Arms and Stretch knit back cover can be removed in the field with no tools required.

For information on casters and glides, see Casters and Glides in Appendices.

**Dimensions**



Work Chair, Suspension Mid-Back with Stretch Knit Back Cover, Value Package, RTA *continued*

Specification Information		
Step 1.		
<b>AS2VB</b> <input type="checkbox"/>		
Step 2. Height Adjustment		
<b>1</b>	low-height range <input type="checkbox"/>	+\$1003
<b>2</b>	standard-height range <input type="checkbox"/>	+\$1003
<b>3</b>	high-height range	+\$1061
Step 3. Tilt		
<b>2</b>	tilt limiter <input type="checkbox"/>	+\$0
<b>3</b>	tilt limiter and seat angle	+\$51
Step 4. Arms		
<b>N</b>	no arms	+\$0
<b>P</b>	fixed arms	+\$102
<b>H</b>	height-adjustable arms	+\$173
<b>A</b>	fully adjustable arms <input type="checkbox"/>	+\$241
Step 5. Seat-Depth Adjustment		
<b>F</b>	fixed seat depth	+\$0
<b>A</b>	adjustable seat depth <input type="checkbox"/>	+\$88
Step 6. Fire Retardancy		
<i>For not fire retardant (*), skip this step.</i>		
	not fire retardant <input type="checkbox"/>	+\$0
Step 7. Back Support Option		
<b>N2</b>	no additional support <input type="checkbox"/>	+\$0
<b>AJ</b>	adjustable lumbar support	+\$55
Step 8. Casters		
<b>BB</b>	2½" hard caster, black yoke, carpet only <input type="checkbox"/>	+\$0
<b>GF</b>	2½" glide, hard floors or carpet	+\$25
<b>C7</b>	2½" caster, black yoke, hard floors or carpet <input type="checkbox"/>	+\$50
<b>C9</b>	2½" braking caster, black yoke, hard floors or carpet	+\$50

# Work Chair, Suspension Mid-Back, Assembled

AS1SA



## Product Information

### Description

This fully-assembled chair has a frameless 3D Intelligent® Suspension back that allows freedom of movement, while providing targeted back support and moving heat away from the body. The suspension is supported by a Y-Tower® and anchored at the bottom by the ArcSpan®. The chair has an upholstered seat with foam padding and passive Posturefit® back support. The synchronous tilt provides continuous balance and lets the body recline naturally, pivoting at the ankles, knees, and hips. The chair has a 5-star base and 3 height-adjustment options.

Tilt options include a tilt limiter and tilt limiter with seat angle. The tilt limiter allows the user to set the tilt range to limit the amount of recline. The tilt limiter with seat angle allows the user to set the tilt range and select a 5° forward seat angle.

Seat options include a fixed 16" seat depth, or a height-adjustable seat depth that allows the user to adjust the depth from 16" to 18". Back-support options include a standard option with no additional support, and an adjustable lumbar support option. The standard option has passive Posturefit back support molded directly into the strands of the suspension material, providing targeted support at the base of the back, below the beltline, that helps achieve healthier posture and improved lower back comfort. The adjustable lumbar support option adds a user-adjustable lumbar that adjusts 4" in height.

Arm choices include a no arm option; a fixed, non-adjustable option, a height adjustable option that allows the arms to move 4" vertically; and a fully adjustable option that allows the arms to move 4" vertically, 1 3/8" horizontally, 2" front-to-back, with armpads that pivot 11° inward and 11° outward.

### Notes

To order chair ready-to-assemble, specify AS2SA. Pricing same as fully assembled.

Arm and tilt cover finish matches specified Y-Tower finish.

Arms can be removed in the field with no tools required.

For information on casters and glides, see Casters and Glides in Appendices.

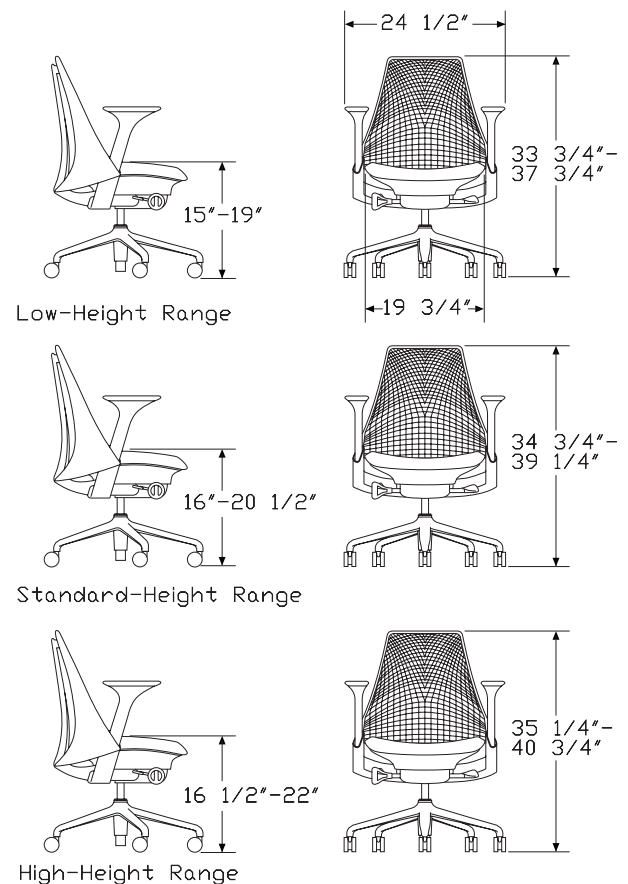
Customer's Own Material (COM) requires 3/4 yard. Customer's Own Leather (COL) requires 8 square feet. See Order information in Appendices.

MicrobeCare™ is an antimicrobial coating that can be applied to a wide variety of Herman Miller Group surfaces to protect products from mold, mildew, algae, and bacteria that cause deterioration, discoloration, odors, and stains.

MicrobeCare™ is a US Environmental Protection Agency (EPA) registered nonpublic health antimicrobial.

MicrobeCare™ is applied to the major touchpoints, including the seat, backrest, arms, armrests, frame and adjustment controls.

## Dimensions



# Work Chair, Suspension Mid-Back, Assembled *continued*

## Specification Information

### Step 1.

**AS1SA**

### Step 2. Height Adjustment

<b>1</b>	low-height range <input type="checkbox"/>	+\$905
<b>2</b>	standard-height range	+\$905
<b>3</b>	high-height range	+\$963

### Step 3. Tilt

<b>2</b>	tilt limiter	+\$0
<b>3</b>	tilt limiter and seat angle	+\$51

### Step 4. Arms

<b>N</b>	no arms	+\$0
<b>P</b>	fixed arms	+\$102
<b>H</b>	height-adjustable arms	+\$173
<b>A</b>	fully adjustable arms	+\$241

### Step 5. Seat-Depth Adjustment

<b>F</b>	fixed seat depth	+\$0
<b>A</b>	adjustable seat depth	+\$88

### Step 6. Fire Retardancy

*For not fire retardant (\*), skip this step.*

	not fire retardant	+\$0
--	--------------------	------

### Step 7. Back Support Option

<b>N2</b>	no additional support	+\$0
<b>AJ</b>	adjustable lumbar support	+\$55

### Step 8. Base/Y-Tower® Finish

#### *For no arms (N), fixed arms (P), or height-adjustable arms (H)*

<b>BK</b>	black	+\$0
<b>65</b>	fog with studio white Y-Tower®	+\$45
<b>68</b>	polished aluminum base with black Y-Tower® <input type="checkbox"/>	+\$95
<b>67</b>	polished aluminum base with studio white Y-Tower® <input type="checkbox"/>	+\$145
<b>MBL</b>	black with MicrobeCare™ <input type="checkbox"/>	+\$70
<b>M65</b>	fog with studio white Y-Tower® with MicrobeCare™ <input type="checkbox"/>	+\$115
<b>M68</b>	polished aluminum base with black Y-Tower® with MicrobeCare™ <input type="checkbox"/>	+\$165
<b>M67</b>	polished aluminum base with studio white Y-Tower® with MicrobeCare™ <input type="checkbox"/>	+\$215

#### *For fully adjustable arms (A)*

<b>BK</b>	black	+\$0
<b>65</b>	fog with studio white Y-Tower®	+\$45
<b>68</b>	polished aluminum base with black Y-Tower® <input type="checkbox"/>	+\$95
<b>67</b>	polished aluminum base with studio white Y-Tower® <input type="checkbox"/>	+\$145
<b>MBL</b>	black with MicrobeCare™ <input type="checkbox"/>	+\$70
<b>M65</b>	fog with studio white Y-Tower® with MicrobeCare™ <input type="checkbox"/>	+\$115
<b>M68</b>	polished aluminum base with black Y-Tower® with MicrobeCare™ <input type="checkbox"/>	+\$165
<b>M67</b>	polished aluminum base with studio white Y-Tower® with MicrobeCare™ <input type="checkbox"/>	+\$215

### Step 9. Casters

<b>BB</b>	2½" hard caster, black yoke, carpet only	+\$0
<b>GF</b>	2½" glide, hard floors or carpet	+\$25
<b>C7</b>	2½" caster, black yoke, hard floors or carpet	+\$50
<b>C9</b>	2½" braking caster, black yoke, hard floors or carpet	+\$50

### Step 10. Back Suspension Finish

<b>5B</b>	java <input type="checkbox"/>	+\$15
<b>63</b>	fog	+\$15
<b>BK</b>	black	+\$0
<b>SG</b>	slate grey	+\$15
<b>3M</b>	berry blue <input type="checkbox"/>	+\$40
<b>79</b>	green apple	+\$40
<b>98</b>	studio white	+\$40
<b>RO</b>	red	+\$40

### Step 11. Armpad Finish

#### *For fixed arms (P), height-adjustable arms (H), or fully adjustable arms (A)*

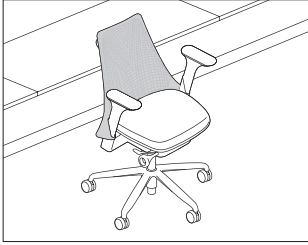
<b>5B</b>	java <input type="checkbox"/>	+\$0
<b>63</b>	fog	+\$0
<b>BK</b>	black	+\$0
<b>SG</b>	slate grey	+\$0
<b>97</b>	twilight <input type="checkbox"/>	+\$25

# Work Chair, Suspension Mid-Back, Assembled *continued*

Step 12. Seat Fabric	
Price Category 1	+\$0
Price Category 2	+\$13
Price Category 3	+\$23
Price Category 4	+\$43
Price Category 5	+\$72
Price Category 7	+\$137
Price Category 8	+\$179
Price Category 9	+\$224
Price Category 10	+\$230
Price Category B	+\$34
Price Category C	+\$46
Price Category D	+\$58
Price Category E	+\$70
Price Category F	+\$90
Price Category G	+\$116
Price Category H	+\$142
Price Category I	+\$166
Price Category J	+\$191
Price Category L	+\$240

# Work Chair, Suspension Mid-Back with Stretch Knit Back Cover, Assembled

AS1SB



Sayl® Work Chairs

## Product Information

### Description

This fully-assembled chair has a frameless 3D Intelligent® Suspension back and a Stretch knit back cover that allow freedom of movement while providing targeted back support and moving heat away from the body. The suspension is supported by a Y-Tower®. The knit back cover provides a soft layer and has a knit-to-fit construction with elastomeric yarns that allows it to flex as the user moves. The synchronous tilt provides continuous balance and lets the body recline naturally, pivoting at the ankles, knees, and hips. The chair has a 5-star base and 3 height-adjustment options.

Tilt options include a tilt limiter and tilt limiter with seat angle. The tilt limiter allows the user to set the tilt range to limit the amount of recline. The tilt limiter with seat angle allows the user to set the tilt range and select a 5° forward seat angle.

The chair has an upholstered seat. Seat options include a fixed 16" seat depth, or a height-adjustable seat depth that allows the user to adjust the depth from 16" to 18".

Back-support options include a standard option with no additional support, and an adjustable lumbar support option. The standard option has passive PostureFit® back support molded directly into the strands of the suspension material, providing targeted support at the base of the back, below the beltline, that helps achieve healthier posture and improved lower back comfort. The adjustable lumbar support option adds a user-adjustable lumbar that adjusts 4" in height.

Arm choices include a no arm option; a fixed, non-adjustable option, a height adjustable option that allows the arms to move 4" vertically; and a fully adjustable option that allows the arms to move 4" vertically, 1 3/8" horizontally, 2" front-to-back, with armpads that pivot 11° inward and 11° outward.

### Notes

To order chair ready-to-assemble, specify AS2SB. Pricing same as fully assembled.

Arm and tilt cover finish matches specified Y-Tower finish.

Arms and Stretch knit back cover can be removed in the field with no tools required.

For information on casters and glides, see Casters and Glides in Appendices.

Customer's Own Material (COM) on the seat requires 3/4 yard.

Customer's Own Leather (COL) on the seat requires 8 square feet. See

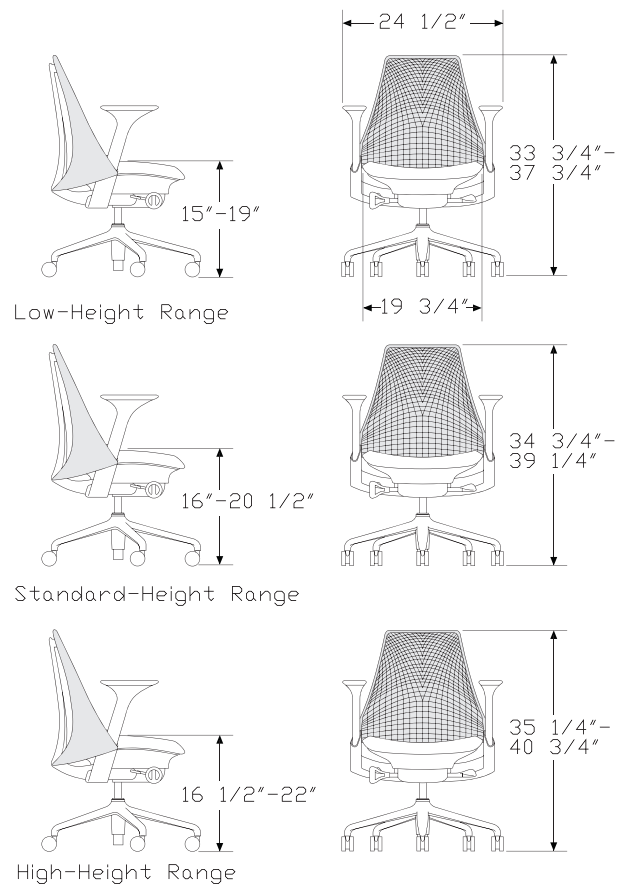
Order information in Appendices.

MicrobeCare™ is an antimicrobial coating that can be applied to a wide variety of Herman Miller Group surfaces to protect products from mold, mildew, algae, and bacteria that cause deterioration, discoloration, odors, and stains.

MicrobeCare™ is a US Environmental Protection Agency (EPA) registered nonpublic health antimicrobial.

MicrobeCare™ is applied to the major touchpoints, including the seat, backrest, arms, armrests, frame and adjustment controls.

## Dimensions



# Work Chair, Suspension Mid-Back with Stretch Knit Back Cover, Assembled *continued*

## Specification Information

### Step 1.

**AS1SB** A

### Step 2. Height Adjustment

<b>1</b>	low-height range <span style="border: 1px solid black; padding: 0 2px;">A</span>	+\$1034
<b>2</b>	standard-height range <span style="border: 1px solid black; padding: 0 2px;">A</span>	+\$1034
<b>3</b>	high-height range	+\$1091

### Step 3. Tilt

<b>2</b>	tilt limiter <span style="border: 1px solid black; padding: 0 2px;">A</span>	+\$0
<b>3</b>	tilt limiter and seat angle	+\$51

### Step 4. Arms

<b>N</b>	no arms	+\$0
<b>P</b>	fixed arms	+\$102
<b>H</b>	height-adjustable arms	+\$173
<b>A</b>	fully adjustable arms <span style="border: 1px solid black; padding: 0 2px;">A</span>	+\$241

### Step 5. Seat-Depth Adjustment

<b>F</b>	fixed seat depth	+\$0
<b>A</b>	adjustable seat depth <span style="border: 1px solid black; padding: 0 2px;">A</span>	+\$88

### Step 6. Fire Retardancy

*For not fire retardant (\*), skip this step.*

	not fire retardant <span style="border: 1px solid black; padding: 0 2px;">A</span>	+\$0
--	--	------

### Step 7. Back Support Option

<b>N2</b>	no additional support <span style="border: 1px solid black; padding: 0 2px;">A</span>	+\$0
<b>AJ</b>	adjustable lumbar support	+\$55

### Step 8. Base/Y-Tower® Finish

*For no arms (N), fixed arms (P), or height-adjustable arms (H)*

<b>BK</b>	black <span style="border: 1px solid black; padding: 0 2px;">A</span>	+\$0
<b>65</b>	fog with studio white Y-Tower®	+\$45
<b>68</b>	polished aluminum base with black Y-Tower® <span style="border: 1px solid black; padding: 0 2px;">A</span>	+\$95
<b>67</b>	polished aluminum base with studio white Y-Tower® <span style="border: 1px solid black; padding: 0 2px;">A</span>	+\$145
<b>MBL</b>	black with MicrobeCare™ <span style="border: 1px solid black; padding: 0 2px;">A</span>	+\$70
<b>M65</b>	fog with studio white Y-Tower® with MicrobeCare™ <span style="border: 1px solid black; padding: 0 2px;">A</span>	+\$115
<b>M68</b>	polished aluminum base with black Y-Tower® with MicrobeCare™ <span style="border: 1px solid black; padding: 0 2px;">A</span>	+\$165
<b>M67</b>	polished aluminum base with studio white Y-Tower® with MicrobeCare™ <span style="border: 1px solid black; padding: 0 2px;">A</span>	+\$215

### For fully adjustable arms (A)

<b>BK</b>	black <span style="border: 1px solid black; padding: 0 2px;">A</span>	+\$0
<b>65</b>	fog with studio white Y-Tower®	+\$45
<b>68</b>	polished aluminum base with black Y-Tower® <span style="border: 1px solid black; padding: 0 2px;">A</span>	+\$95
<b>67</b>	polished aluminum base with studio white Y-Tower® <span style="border: 1px solid black; padding: 0 2px;">A</span>	+\$145
<b>MBL</b>	black with MicrobeCare™ <span style="border: 1px solid black; padding: 0 2px;">A</span>	+\$70
<b>M65</b>	fog with studio white Y-Tower® with MicrobeCare™ <span style="border: 1px solid black; padding: 0 2px;">A</span>	+\$115
<b>M68</b>	polished aluminum base with black Y-Tower® with MicrobeCare™ <span style="border: 1px solid black; padding: 0 2px;">A</span>	+\$165
<b>M67</b>	polished aluminum base with studio white Y-Tower® with MicrobeCare™ <span style="border: 1px solid black; padding: 0 2px;">A</span>	+\$215

### Step 9. Casters

<b>BB</b>	2 1/2" hard caster, black yoke, carpet only <span style="border: 1px solid black; padding: 0 2px;">A</span>	+\$0
<b>GF</b>	2 1/2" glide, hard floors or carpet	+\$25
<b>C7</b>	2 1/2" caster, black yoke, hard floors or carpet <span style="border: 1px solid black; padding: 0 2px;">A</span>	+\$50
<b>C9</b>	2 1/2" braking caster, black yoke, hard floors or carpet	+\$50

### Step 10. Back Suspension Finish

<b>5B</b>	java <span style="border: 1px solid black; padding: 0 2px;">A</span>	+\$15
<b>63</b>	fog	+\$15
<b>BK</b>	black <span style="border: 1px solid black; padding: 0 2px;">A</span>	+\$0
<b>SG</b>	slate grey	+\$15
<b>3M</b>	berry blue <span style="border: 1px solid black; padding: 0 2px;">A</span>	+\$40
<b>79</b>	green apple	+\$40
<b>98</b>	studio white	+\$40
<b>RO</b>	red	+\$40

### Step 11. Armpad Finish

*For fixed arms (P), height-adjustable arms (H), or fully adjustable arms (A)*

<b>5B</b>	java <span style="border: 1px solid black; padding: 0 2px;">A</span>	+\$0
<b>63</b>	fog	+\$0
<b>BK</b>	black <span style="border: 1px solid black; padding: 0 2px;">A</span>	+\$0
<b>SG</b>	slate grey	+\$0
<b>97</b>	twilight <span style="border: 1px solid black; padding: 0 2px;">A</span>	+\$25

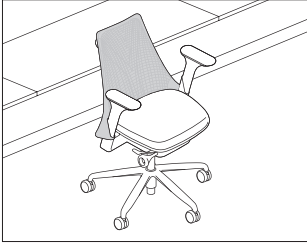
Work Chair, Suspension Mid-Back with Stretch Knit Back Cover, Assembled *continued*

Sayl® Work Chairs

Step 12. Seat Fabric	
Price Category 1	+\$0
Price Category 2	+\$13
Price Category 3	+\$23
Price Category 4	+\$43
Price Category 5	+\$72
Price Category 7	+\$137
Price Category 8	+\$179
Price Category 9	+\$224
Price Category 10	+\$230
Price Category B	+\$34
Price Category C	+\$0
Price Category D	+\$58
Price Category E	+\$70
Price Category F	+\$90
Price Category G	+\$116
Price Category H	+\$142
Price Category I	+\$166
Price Category J	+\$191
Price Category L	+\$240
Step 13. Back Cover Material	
Price Category 1	+\$0



Work Chair, Suspension AS2SB  
 Mid-Back with Stretch Knit Back  
 Cover, Ready to Assemble



**Product Information**

**Description**

This ready-to-assemble chair has a frameless 3D Intelligent® Suspension back and a Stretch knit back cover that allow freedom of movement while providing targeted back support and moving heat away from the body. The suspension is supported by a Y-Tower®. The knit back cover provides a soft layer and has a knit-to-fit construction with elastomeric yarns that allows it to flex as the user moves. The synchronous tilt provides continuous balance and lets the body recline naturally, pivoting at the ankles, knees, and hips. The chair has a 5-star base and 3 height-adjustment options. Shipped knocked down and is ready to assemble with no tools required.

Tilt options include a tilt limiter and tilt limiter with seat angle. The tilt limiter allows the user to set the tilt range to limit the amount of recline. The tilt limiter with seat angle allows the user to set the tilt range and select a 5° forward seat angle.

The chair has an upholstered seat. Seat options include a fixed 16" seat depth, or an adjustable seat depth that allows the user to adjust the depth from 16" to 18".

Back-support options include a standard option with no additional support, and an adjustable lumbar support option. The standard option has passive PostureFit® back support molded directly into the strands of the suspension material, providing targeted support at the base of the back, below the beltline, that helps achieve healthier posture and improved lower back comfort. The adjustable lumbar support option adds a user-adjustable lumbar that adjusts 4" in height.

Arm choices include a no arm option; a fixed, non-adjustable option; a height adjustable option that allows the arms to move 4" vertically; and a fully adjustable option that allows the arms to move 4" vertically, 1 3/8" horizontally, 2" front-to-back, with ampads that pivot 11° inward and 11° outward.

**Notes**

Arm and tilt cover finish matches specified Y-Tower finish.

Arms and Stretch knit back cover can be removed in the field with no tools required.

For information on casters and glides, see Casters and Glides in Appendices.

Customer's Own Material (COM) on the seat requires 3/4 yard.

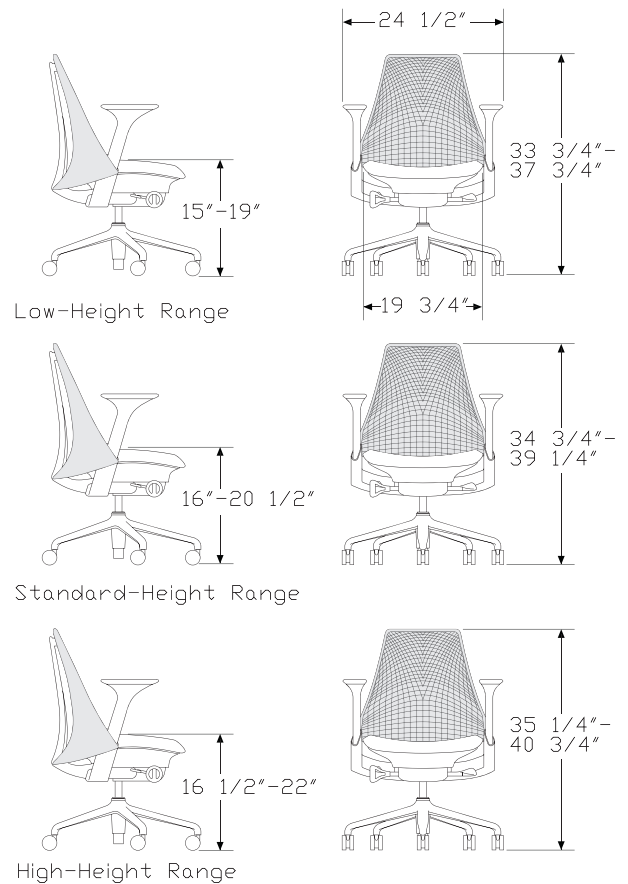
Customer's Own Leather (COL) on the seat requires 8 square feet. See Order information in Appendices.

MicrobeCare™ is an antimicrobial coating that can be applied to a wide variety of Herman Miller Group surfaces to protect products from mold, mildew, algae, and bacteria that cause deterioration, discoloration, odors, and stains.

MicrobeCare™ is a US Environmental Protection Agency (EPA) registered nonpublic health antimicrobial.

MicrobeCare™ is applied to the major touchpoints, including the seat, backrest, arms, armrests, frame and adjustment controls.

**Dimensions**



# Work Chair, Suspension Mid-Back with Stretch Knit Back Cover, Ready to Assemble *continued*

Specification Information		
Step 1.		
<b>AS2SB</b>	<input type="checkbox"/>	
Step 2. Height Adjustment		
<b>1</b>	low-height range <input type="checkbox"/>	+\$1034
<b>2</b>	standard-height range <input type="checkbox"/>	+\$1034
<b>3</b>	high-height range	+\$1091
Step 3. Tilt		
<b>2</b>	tilt limiter <input type="checkbox"/>	+\$0
<b>3</b>	tilt limiter and seat angle	+\$51
Step 4. Arms		
<b>N</b>	no arms	+\$0
<b>P</b>	fixed arms	+\$102
<b>H</b>	height-adjustable arms	+\$173
<b>A</b>	fully adjustable arms <input type="checkbox"/>	+\$241
Step 5. Seat-Depth Adjustment		
<b>F</b>	fixed seat depth	+\$0
<b>A</b>	adjustable seat depth <input type="checkbox"/>	+\$88
Step 6. Fire Retardancy		
<i>For not fire retardant (*), skip this step.</i>		
	not fire retardant <input type="checkbox"/>	+\$0
Step 7. Back Support Option		
<b>N2</b>	no additional support <input type="checkbox"/>	+\$0
<b>AJ</b>	adjustable lumbar support	+\$55
Step 8. Base/Y-Tower® Finish		
<i>For fully adjustable arms (A)</i>		
<b>BK</b>	black <input type="checkbox"/>	+\$0
<b>65</b>	fog with studio white Y-Tower®	+\$45
<b>68</b>	polished aluminum base with black Y-Tower® <input type="checkbox"/>	+\$95
<b>67</b>	polished aluminum base with studio white Y-Tower® <input type="checkbox"/>	+\$145
<b>MBL</b>	black with MicrobeCare™ <input type="checkbox"/>	+\$70
<b>M65</b>	fog with studio white Y-Tower® with MicrobeCare™ <input type="checkbox"/>	+\$115
<b>M68</b>	polished aluminum base with black Y-Tower® with MicrobeCare™ <input type="checkbox"/>	+\$165
<b>M67</b>	polished aluminum base with studio white Y-Tower® with MicrobeCare™ <input type="checkbox"/>	+\$215

<i>For no arms (N), fixed arms (P), or height-adjustable arms (H)</i>		
<b>BK</b>	black <input type="checkbox"/>	+\$0
<b>65</b>	fog with studio white Y-Tower®	+\$45
<b>68</b>	polished aluminum base with black Y-Tower® <input type="checkbox"/>	+\$95
<b>67</b>	polished aluminum base with studio white Y-Tower® <input type="checkbox"/>	+\$145
<b>MBL</b>	black with MicrobeCare™ <input type="checkbox"/>	+\$70
<b>M65</b>	fog with studio white Y-Tower® with MicrobeCare™ <input type="checkbox"/>	+\$115
<b>M68</b>	polished aluminum base with black Y-Tower® with MicrobeCare™ <input type="checkbox"/>	+\$165
<b>M67</b>	polished aluminum base with studio white Y-Tower® with MicrobeCare™ <input type="checkbox"/>	+\$215
Step 9. Casters		
<b>BB</b>	2½" hard caster, black yoke, carpet only <input type="checkbox"/>	+\$0
<b>GF</b>	2½" glide, hard floors or carpet	+\$25
<b>C7</b>	2½" caster, black yoke, hard floors or carpet <input type="checkbox"/>	+\$50
<b>C9</b>	2½" braking caster, black yoke, hard floors or carpet	+\$50
Step 10. Back Suspension Finish		
<b>5B</b>	java <input type="checkbox"/>	+\$15
<b>63</b>	fog	+\$15
<b>BK</b>	black <input type="checkbox"/>	+\$0
<b>SG</b>	slate grey	+\$15
<b>3M</b>	berry blue <input type="checkbox"/>	+\$40
<b>79</b>	green apple	+\$40
<b>98</b>	studio white	+\$40
<b>RO</b>	red	+\$40
Step 11. Armpad Finish		
<i>For fixed arms (P), height-adjustable arms (H), or fully adjustable arms (A)</i>		
<b>5B</b>	java <input type="checkbox"/>	+\$0
<b>63</b>	fog	+\$0
<b>BK</b>	black <input type="checkbox"/>	+\$0
<b>SG</b>	slate grey	+\$0
<b>97</b>	twilight <input type="checkbox"/>	+\$25

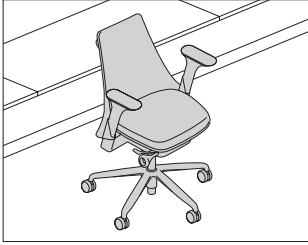
Work Chair, Suspension Mid-  
 Back with Stretch Knit Back  
 Cover, Ready to Assemble *continued*

Step 12. Seat Fabric	
Price Category 10	+\$232
Price Category 1	+\$0
Price Category 2	+\$13
Price Category 3	+\$23
Price Category 4	+\$43
Price Category 5	+\$72
Price Category B	+\$34
Price Category C	+\$0
Price Category D	+\$58
Price Category E	+\$70
Price Category F	+\$90
Price Category G	+\$116
Price Category H	+\$142
Price Category I	+\$166
Price Category J	+\$191
Price Category L	+\$240

Step 13. Back Cover Material	
Price Category 1	+\$0

Work Chair, Upholstered  
Mid-Back, Value Package,  
Assembled

AS1VC



Sayl® Work Chairs

**Product Information**

**Description**

This fully-assembled chair has a flexible narrow-top back supported by a Y-Tower® that allows freedom of movement, an upholstered seat and back with foam padding, and passive Posturefit® back support. The synchronous tilt provides continuous balance and lets the body recline naturally, pivoting at the ankles, knees, and hips. The chair has a 5-star base and 3 height-adjustment options.

Tilt options include a tilt limiter and tilt limiter with seat angle. The tilt limiter allows the user to set the tilt range to limit the amount of recline. The tilt limiter with seat angle allows the user to set the tilt range and select a 5° forward seat angle.

Seat options include a fixed 16" seat depth, or an adjustable seat depth that allows the user to adjust the depth from 16" to 18".

Back-support options include a standard option with no additional support, and an adjustable lumbar support option. The standard option has passive Posturefit back support, providing targeted support at the base of the back, below the beltline, that helps achieve healthier posture and improved lower back comfort. The adjustable lumbar support option adds a user-adjustable lumbar that adjusts 4" in height.

Arm choices include a no arm option; a fixed, non-adjustable option; a height adjustable option that allows the arms to move 4" vertically; and a fully adjustable option that allows the arms to move 4" vertically, 1 3/8" horizontally, 2" front-to-back, with armpads that pivot 11° inward and 11° outward.

**Notes**

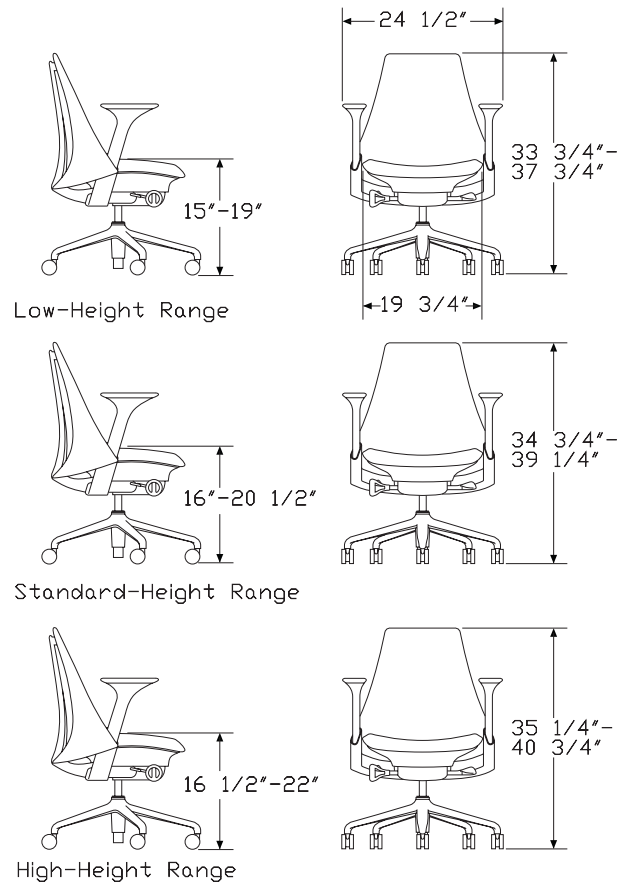
Value package chair is upholstered with a Crossover textile in a black finish; all chair finishes are black (Y-Tower, armpads, arms, tilt cover and base).

To order chair ready-to-assemble, specify AS2VC. Pricing same as fully assembled.

Arms can be removed in the field with no tools required.

For information on casters and glides, see Casters and Glides in Appendices.

**Dimensions**



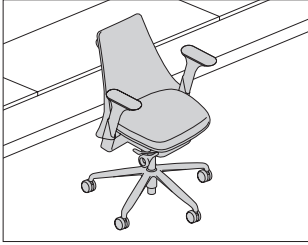
# Work Chair, Upholstered Mid-Back, Value Package, Assembled

continued

Specification Information		
Step 1.		
<b>AS1VC</b>		
Step 2. Height Adjustment		
<b>1</b>	low-height range <input type="checkbox"/> A	+\$970
<b>2</b>	standard-height range	+\$970
<b>3</b>	high-height range	+\$1028
Step 3. Tilt		
<b>2</b>	tilt limiter	+\$0
<b>3</b>	tilt limiter and seat angle	+\$51
Step 4. Arms		
<b>N</b>	no arms	+\$0
<b>P</b>	fixed arms	+\$102
<b>H</b>	height-adjustable arms	+\$173
<b>A</b>	fully adjustable arms	+\$241
Step 5. Seat-Depth Adjustment		
<b>F</b>	fixed seat depth	+\$0
<b>A</b>	adjustable seat depth	+\$88
Step 6. Fire Retardancy		
<i>For not fire retardant (*), skip this step.</i>		
	not fire retardant	+\$0
Step 7. Back Support Option		
<b>N2</b>	no additional support	+\$0
<b>AJ</b>	adjustable lumbar support	+\$55
Step 8. Casters		
<b>BB</b>	2½" hard caster, black yoke, carpet only	+\$0
<b>GF</b>	2½" glide, hard floors or carpet	+\$25
<b>C7</b>	2½" caster, black yoke, hard floors or carpet	+\$50
<b>C9</b>	2½" braking caster, black yoke, hard floors or carpet	+\$50

# Work Chair, Upholstered Mid-Back, Assembled

AS1SC



Sayl® Work Chairs

## Product Information

### Description

This fully-assembled chair has a flexible narrow-top back supported by a Y-Tower® that allows freedom of movement, an upholstered seat and back with foam padding, and passive Posturefit® back support. The synchronous tilt provides continuous balance and lets the body recline naturally, pivoting at the ankles, knees, and hips. The chair has a 5-star base and 3 height-adjustment options.

Tilt options include a tilt limiter and tilt limiter with seat angle. The tilt limiter allows the user to set the tilt range to limit the amount of recline. The tilt limiter with seat angle allows the user to set the tilt range and select a 5° forward seat angle.

Seat options include a fixed 16" seat depth, or an adjustable seat depth that allows the user to adjust the depth from 16" to 18".

Back-support options include a standard option with no additional support, and an adjustable lumbar support option. The standard option has passive Posturefit back support, providing targeted support at the base of the back, below the beltline, that helps achieve healthier posture and improved lower back comfort. The adjustable lumbar support option adds a user-adjustable lumbar that adjusts 4" in height.

Arm choices include a no arm option; a fixed, non-adjustable option; a height adjustable option that allows the arms to move 4" vertically; and a fully adjustable option that allows the arms to move 4" vertically, 1 3/8" horizontally, 2" front-to-back, with armpads that pivot 11° inward and 11° outward.

### Notes

To order chair ready-to-assemble, specify AS2SC. Pricing same as fully assembled.

Arm and tilt cover finish matches specified Y-Tower finish.

Arms can be removed in the field with no tools required.

For information on casters and glides, see Casters and Glides in Appendices.

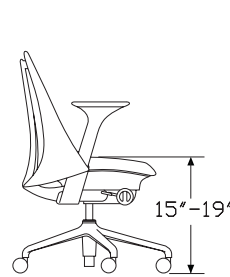
Customer's Own Material (COM) requires 1 3/4 yards. Customer's Own Leather (COL) requires 22 square feet. See Order information in Appendices.

MicrobeCare™ is an antimicrobial coating that can be applied to a wide variety of Herman Miller Group surfaces to protect products from mold, mildew, algae, and bacteria that cause deterioration, discoloration, odors, and stains.

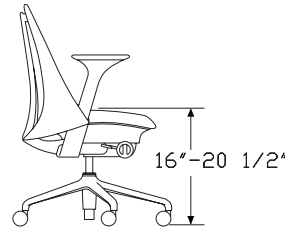
MicrobeCare™ is a US Environmental Protection Agency (EPA) registered nonpublic health antimicrobial.

MicrobeCare™ is applied to the major touchpoints, including the seat, backrest, arms, armrests, frame and adjustment controls.

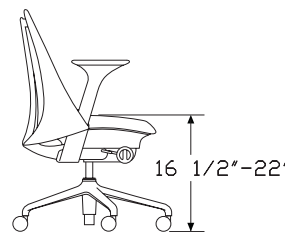
## Dimensions



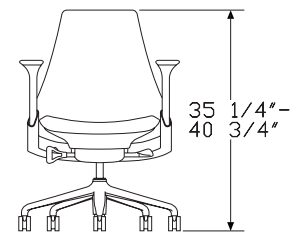
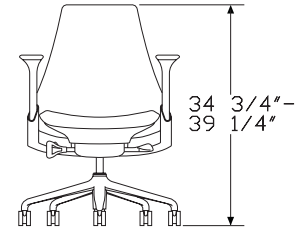
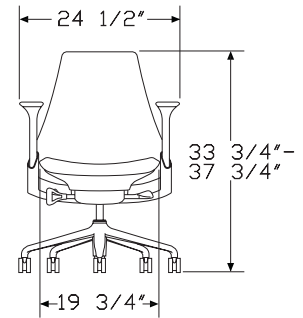
Low-Height Range



Standard-Height Range



High-Height Range



# Work Chair, Upholstered Mid-Back, Assembled *continued*

## Specification Information

### Step 1.

**AS1SC**

### Step 2. Height Adjustment

<b>1</b>	low-height range <input type="checkbox"/>	+\$1000
<b>2</b>	standard-height range	+\$1000
<b>3</b>	high-height range	+\$1059

### Step 3. Tilt

<b>2</b>	tilt limiter	+\$0
<b>3</b>	tilt limiter and seat angle	+\$51

### Step 4. Arms

<b>N</b>	no arms	+\$0
<b>P</b>	fixed arms	+\$102
<b>H</b>	height-adjustable arms	+\$173
<b>A</b>	fully adjustable arms	+\$241

### Step 5. Seat-Depth Adjustment

<b>F</b>	fixed seat depth	+\$0
<b>A</b>	adjustable seat depth	+\$88

### Step 6. Fire Retardancy

*For not fire retardant (\*), skip this step.*

	not fire retardant	+\$0
--	--------------------	------

### Step 7. Back Support Option

<b>N2</b>	no additional support	+\$0
<b>AJ</b>	adjustable lumbar support	+\$55

### Step 8. Base/Y-Tower® Finish

#### *For no arms (N), fixed arms (P), or height-adjustable arms (H)*

<b>BK</b>	black	+\$0
<b>65</b>	fog with studio white Y-Tower®	+\$45
<b>68</b>	polished aluminum base with black Y-Tower® <input type="checkbox"/>	+\$95
<b>67</b>	polished aluminum base with studio white Y-Tower® <input type="checkbox"/>	+\$145
<b>MBL</b>	black with MicrobeCare™ <input type="checkbox"/>	+\$70
<b>M65</b>	fog with studio white Y-Tower® with MicrobeCare™ <input type="checkbox"/>	+\$115
<b>M68</b>	polished aluminum base with black Y-Tower® with MicrobeCare™ <input type="checkbox"/>	+\$165
<b>M67</b>	polished aluminum base with studio white Y-Tower® with MicrobeCare™ <input type="checkbox"/>	+\$215

#### *For fully adjustable arms (A)*

<b>BK</b>	black	+\$0
<b>65</b>	fog with studio white Y-Tower®	+\$45
<b>68</b>	polished aluminum base with black Y-Tower® <input type="checkbox"/>	+\$95
<b>67</b>	polished aluminum base with studio white Y-Tower® <input type="checkbox"/>	+\$145
<b>MBL</b>	black with MicrobeCare™ <input type="checkbox"/>	+\$70
<b>M65</b>	fog with studio white Y-Tower® with MicrobeCare™ <input type="checkbox"/>	+\$115
<b>M68</b>	polished aluminum base with black Y-Tower® with MicrobeCare™ <input type="checkbox"/>	+\$165
<b>M67</b>	polished aluminum base with studio white Y-Tower® with MicrobeCare™ <input type="checkbox"/>	+\$215

### Step 9. Casters

<b>BB</b>	2 1/2" hard caster, black yoke, carpet only	+\$0
<b>GF</b>	2 1/2" glide, hard floors or carpet	+\$25
<b>C7</b>	2 1/2" caster, black yoke, hard floors or carpet	+\$50
<b>C9</b>	2 1/2" braking caster, black yoke, hard floors or carpet	+\$50

### Step 10. Armpad Finish

#### *For fixed arms (P), height-adjustable arms (H), or fully adjustable arms (A)*

<b>5B</b>	java <input type="checkbox"/>	+\$0
<b>63</b>	fog	+\$0
<b>BK</b>	black	+\$0
<b>SG</b>	slate grey	+\$0
<b>97</b>	twilight <input type="checkbox"/>	+\$25

# Work Chair, Upholstered Mid-Back, Assembled *continued*

Sayl® Work Chairs

## Step 11. Seat/Back Fabric

*For not fire retardant*

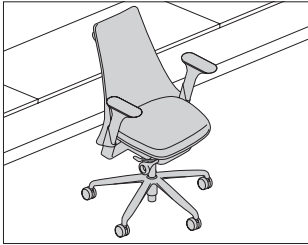
*See application chart and textiles list for fabric usage and numbers.*

*First 2 digits of number indicate fabric line; remaining digit(s) indicate fabric color.*

Price Category 1	+\$0
Price Category 2	+\$26
Price Category 3	+\$48
Price Category 4	+\$92
Price Category 5	+\$148
Price Category 9	+\$480
Price Category 10	+\$577
Price Category B	+\$71
Price Category C	+\$97
Price Category D	+\$122
Price Category E	+\$148
Price Category F	+\$191
Price Category G	+\$248
Price Category H	+\$301
Price Category I	+\$354
Price Category J	+\$407
Price Category L	+\$512



Work Chair, Upholstered High-Back, Value Package, Assembled AS1VD



**Product Information**

**Description**

This fully-assembled chair has a flexible narrow-top back supported by a Y-Tower® that allows freedom of movement, an upholstered seat and back with foam padding, and passive Posturefit® back support. The synchronous tilt provides continuous balance and lets the body recline naturally, pivoting at the ankles, knees, and hips. The chair has a 5-star base and 3 height-adjustment options.

Tilt options include a tilt limiter and tilt limiter with seat angle. The tilt limiter allows the user to set the tilt range to limit the amount of recline. The tilt limiter with seat angle allows the user to set the tilt range and select a 5° forward seat angle.

Seat options include a fixed 16" seat depth, or an adjustable seat depth that allows the user to adjust the depth from 16" to 18".

Back-support options include a standard option with no additional support, and an adjustable lumbar support option. The standard option has passive Posturefit back support, providing targeted support at the base of the back, below the beltline, that helps achieve healthier posture and improved lower back comfort. The adjustable lumbar support option adds a user-adjustable lumbar that adjusts 4" in height.

Arm choices include a no arm option; a fixed, non-adjustable option; a height adjustable option that allows the arms to move 4" vertically; and a fully adjustable option that allows the arms to move 4" vertically, 1 3/8" horizontally, 2" front-to-back, with arm pads that pivot 11° inward and 11° outward.

**Notes**

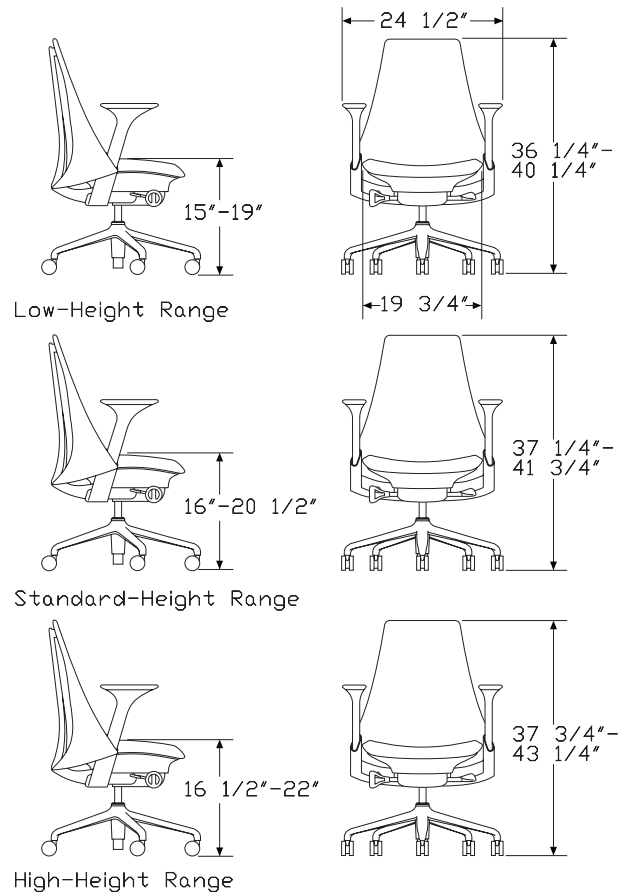
Value package chair is upholstered with a Crossover textile in a black finish; all chair finishes are black (Y-Tower, arm pads, arms, tilt cover and base).

To order chair ready-to-assemble, specify AS2VD. Pricing same as fully assembled.

Arms can be removed in the field with no tools required.

For information on casters and glides, see Casters and Glides in Appendices.

**Dimensions**



# Work Chair, Upholstered High-Back, Value Package, Assembled

continued

Sayl® Work Chairs

Specification Information		
Step 1.		
<b>AS1VD</b>		
Step 2. Height Adjustment		
1	low-height range <input type="checkbox"/> A	+\$1035
2	standard-height range	+\$1035
3	high-height range	+\$1092
Step 3. Tilt		
2	tilt limiter	+\$0
3	tilt limiter and seat angle	+\$51
Step 4. Arms		
N	no arms	+\$0
P	fixed arms	+\$102
H	height-adjustable arms	+\$173
A	fully adjustable arms	+\$241
Step 5. Seat-Depth Adjustment		
F	fixed seat depth	+\$0
A	adjustable seat depth	+\$88
Step 6. Fire Retardancy		
<i>For not fire retardant (*), skip this step.</i>		
	not fire retardant	+\$0
Step 7. Back Support Option		
N2	no additional support	+\$0
AJ	adjustable lumbar support	+\$55
Step 8. Casters		
BB	2½" hard caster, black yoke, carpet only	+\$0
GF	2½" glide, hard floors or carpet	+\$25
C7	2½" caster, black yoke, hard floors or carpet	+\$50
C9	2½" braking caster, black yoke, hard floors or carpet	+\$50

# Work Chair, Upholstered High-Back, Assembled

AS1SD



## Product Information

### Description

This fully-assembled chair has a flexible narrow-top back supported by a Y-Tower® that allows freedom of movement, an upholstered seat and back with foam padding, and passive Posturefit® back support. The synchronous tilt provides continuous balance and lets the body recline naturally, pivoting at the ankles, knees, and hips. The chair has a 5-star base and 3 height-adjustment options.

Tilt options include a tilt limiter and tilt limiter with seat angle. The tilt limiter allows the user to set the tilt range to limit the amount of recline. The tilt limiter with seat angle allows the user to set the tilt range and select a 5° forward seat angle.

Seat options include a fixed 16" seat depth, or an adjustable seat depth that allows the user to adjust the depth from 16" to 18".

Back-support options include a standard option with no additional support, and an adjustable lumbar support option. The standard option has passive Posturefit back support, providing targeted support at the base of the back, below the beltline, that helps achieve healthier posture and improved lower back comfort. The adjustable lumbar support option adds a user-adjustable lumbar that adjusts 4" in height.

Arm choices include a no arm option; a fixed, non-adjustable option; a height adjustable option that allows the arms to move 4" vertically; and a fully adjustable option that allows the arms to move 4" vertically, 1 3/8" horizontally, 2" front-to-back, with arm pads that pivot 11° inward and 11° outward.

### Notes

To order chair ready-to-assemble, specify AS2SD. Pricing same as fully assembled.

Arm and tilt cover finish matches specified Y-Tower finish.

Arms can be removed in the field with no tools required.

For information on casters and glides, see Casters and Glides in Appendices.

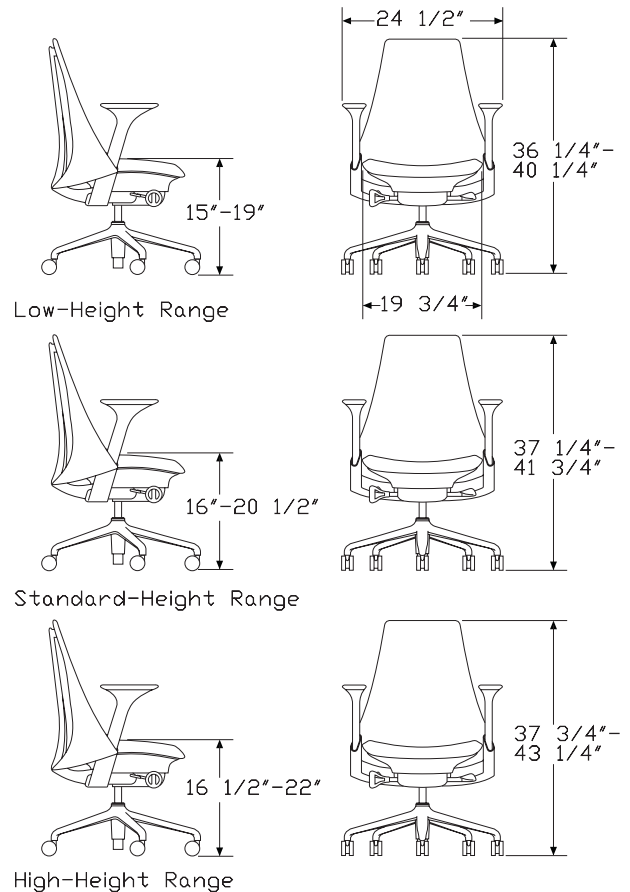
Customer's Own Material (COM) requires 2 yards. Customer's Own Leather (COL) requires 23 3/8 square feet. See Order information in Appendices.

MicrobeCare™ is an antimicrobial coating that can be applied to a wide variety of Herman Miller Group surfaces to protect products from mold, mildew, algae, and bacteria that cause deterioration, discoloration, odors, and stains.

MicrobeCare™ is a US Environmental Protection Agency (EPA) registered nonpublic health antimicrobial.

MicrobeCare™ is applied to the major touchpoints, including the seat, backrest, arms, armrests, frame and adjustment controls.

## Dimensions



# Work Chair, Upholstered High-Back, Assembled *continued*

Specification Information		
Step 1.		
<b>AS1SD</b>		
Step 2. Height Adjustment		
<b>1</b>	low-height range <input type="checkbox"/>	+\$1066
<b>2</b>	standard-height range	+\$1066
<b>3</b>	high-height range	+\$1124
Step 3. Tilt		
<b>2</b>	tilt limiter	+\$0
<b>3</b>	tilt limiter and seat angle	+\$51
Step 4. Arms		
<b>N</b>	no arms	+\$0
<b>P</b>	fixed arms	+\$102
<b>H</b>	height-adjustable arms	+\$173
<b>A</b>	fully adjustable arms	+\$241
Step 5. Seat-Depth Adjustment		
<b>F</b>	fixed seat depth	+\$0
<b>A</b>	adjustable seat depth	+\$88
Step 6. Fire Retardancy		
<i>For not fire retardant (*), skip this step.</i>		
	not fire retardant	+\$0
Step 7. Back Support Option		
<b>N2</b>	no additional support	+\$0
<b>AJ</b>	adjustable lumbar support	+\$55
Step 8. Base/Y-Tower® Finish		
<i>For no arms (N), fixed arms (P), or height-adjustable arms (H)</i>		
<b>BK</b>	black	+\$0
<b>65</b>	fog with studio white Y-Tower®	+\$45
<b>68</b>	polished aluminum base with black Y-Tower® <input type="checkbox"/>	+\$95
<b>67</b>	polished aluminum base with studio white Y-Tower® <input type="checkbox"/>	+\$145
<b>MBL</b>	black with MicrobeCare™ <input type="checkbox"/>	+\$70
<b>M65</b>	fog with studio white Y-Tower® with MicrobeCare™ <input type="checkbox"/>	+\$115
<b>M68</b>	polished aluminum base with black Y-Tower® with MicrobeCare™ <input type="checkbox"/>	+\$165
<b>M67</b>	polished aluminum base with studio white Y-Tower® with MicrobeCare™ <input type="checkbox"/>	+\$215

<i>For fully adjustable arms (A)</i>		
<b>BK</b>	black	+\$0
<b>65</b>	fog with studio white Y-Tower®	+\$45
<b>68</b>	polished aluminum base with black Y-Tower® <input type="checkbox"/>	+\$95
<b>67</b>	polished aluminum base with studio white Y-Tower® <input type="checkbox"/>	+\$145
<b>MBL</b>	black with MicrobeCare™ <input type="checkbox"/>	+\$70
<b>M65</b>	fog with studio white Y-Tower® with MicrobeCare™ <input type="checkbox"/>	+\$115
<b>M68</b>	polished aluminum base with black Y-Tower® with MicrobeCare™ <input type="checkbox"/>	+\$165
<b>M67</b>	polished aluminum base with studio white Y-Tower® with MicrobeCare™ <input type="checkbox"/>	+\$215
Step 9. Casters		
<b>BB</b>	2½" hard caster, black yoke, carpet only	+\$0
<b>GF</b>	2½" glide, hard floors or carpet	+\$25
<b>C7</b>	2½" caster, black yoke, hard floors or carpet	+\$50
<b>C9</b>	2½" braking caster, black yoke, hard floors or carpet	+\$50
Step 10. Armpad Finish		
<i>For fixed arms (P), height-adjustable arms (H), or fully adjustable arms (A)</i>		
<b>5B</b>	java <input type="checkbox"/>	+\$0
<b>63</b>	fog	+\$0
<b>BK</b>	black	+\$0
<b>SG</b>	slate grey	+\$0
<b>97</b>	twilight <input type="checkbox"/>	+\$25

# Work Chair, Upholstered High-Back, Assembled *continued*

## Step 11. Seat/Back Fabric

*For not fire retardant*

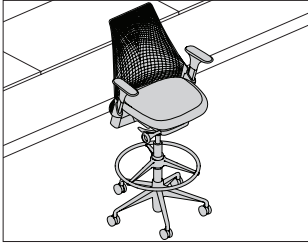
*See application chart and textiles list for fabric usage and numbers.*

*First 2 digits of number indicate fabric line; remaining digit(s) indicate fabric color.*

Price Category 1	+\$0
Price Category 2	+\$29
Price Category 3	+\$60
Price Category 4	+\$109
Price Category 5	+\$184
Price Category 9	+\$562
Price Category 10	+\$685
Price Category B	+\$84
Price Category C	+\$115
Price Category E	+\$175
Price Category F	+\$227
Price Category G	+\$296
Price Category H	+\$360
Price Category I	+\$424
Price Category J	+\$486
Price Category L	+\$612

Work Stool, Suspension  
Mid-Back, Value Package,  
Assembled

AS7VA



**Product Information**

**Description**

This fully-assembled stool has a frameless 3D Intelligent® Suspension back that allows freedom of movement, while providing targeted back support and moving heat away from the body. The suspension is supported by a Y-Tower®. The chair has an upholstered seat with foam padding and passive Posturefit® back support. The synchronous tilt provides continuous balance and lets the body recline naturally, pivoting at the ankles, knees, and hips. The stool has a 5-star base. Tilt options include a tilt limiter and tilt limiter with seat angle. The tilt limiter allows the user to limit the amount of recline and set the back into an upright position. The tilt limiter with seat angle allows the user to set the tilt range and select a 5° forward seat angle.

Seat options include a fixed 16" seat depth, or an adjustable seat depth that allows the user to adjust the depth from 16" to 18". Back-support options include a standard option with no additional support, and an adjustable lumbar support option. The standard option has passive Posturefit back support molded directly into the strands of the suspension material, providing targeted support at the base of the back, below the beltline, that helps achieve healthier posture and improved lower back comfort. The adjustable lumbar support option adds a user-adjustable lumbar that adjusts 4" in height.

Arm choices include a no arm option; a fixed, non-adjustable option; a height adjustable option that allows the arms to move 4" vertically; and a fully adjustable option that allows the arms to move 4" vertically, 1 3/8" horizontally, 2" front-to-back, with armpads that pivot 11° inward and 11° outward.

**Notes**

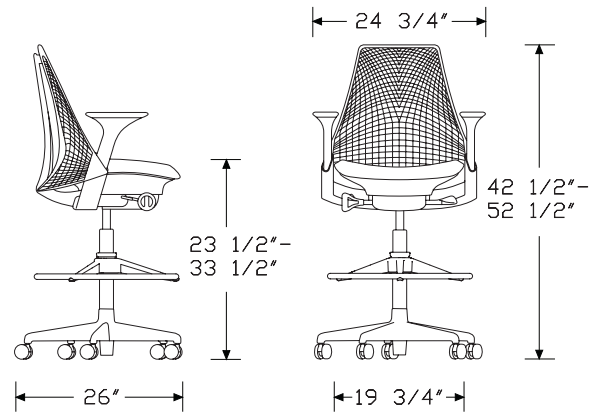
Value package stool is upholstered with a Crossover textile in a black finish; all stool finishes are black (Y-Tower, armpads, arms, tilt cover and base).

Footrest available in trivalent chrome; column and ring support are black. Footrest diameter is 20".

Arms can be removed in the field with no tools required.

For information on casters and glides, see Casters and Glides in Appendices.

**Dimensions**



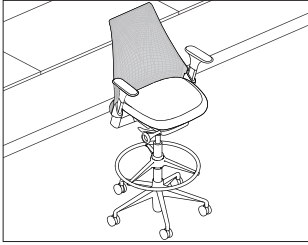
# Work Stool, Suspension Mid-Back, Value Package, Assembled

continued

Specification Information		
Step 1.		
<b>AS7VA</b> <input type="checkbox"/>		
Step 2. Height Adjustment		
<b>5</b>	stool extended height range	+\$1222
Step 3. Tilt		
<b>2</b>	tilt limiter	+\$0
<b>3</b>	tilt limiter and seat angle	+\$51
Step 4. Arms		
<b>N</b>	no arms	+\$0
<b>P</b>	fixed arms	+\$102
<b>H</b>	height-adjustable arms	+\$173
<b>A</b>	fully adjustable arms	+\$241
Step 5. Seat-Depth Adjustment		
<b>F</b>	fixed seat depth	+\$0
<b>A</b>	adjustable seat depth	+\$88
Step 6. Fire Retardancy		
<i>For not fire retardant (*), skip this step.</i>		
	not fire retardant <input type="checkbox"/>	+\$0
Step 7. Back Support Option		
<b>N2</b>	no additional support	+\$0
<b>AJ</b>	adjustable lumbar support	+\$55
Step 8. Casters		
<b>BB</b>	2 1/2" hard caster, black yoke, carpet only	+\$0
<b>GF</b>	2 1/2" glide, hard floors or carpet	+\$25
<b>C7</b>	2 1/2" caster, black yoke, hard floors or carpet	+\$50
<b>C9</b>	2 1/2" braking caster, black yoke, hard floors or carpet	+\$50

Work Stool, Suspension  
Mid-Back, Stretch Knit Back  
Cover, Value Package

AS7VB



**Product Information**

**Description**

This fully-assembled stool has a frameless 3D Intelligent® Suspension back and a Stretch knit back cover that allow freedom of movement while providing targeted back support and moving heat away from the body. The suspension is supported by a Y-Tower®. The knit back cover provides a soft layer and has a knit-to-fit construction with elastomeric yarns that allows it to flex as the user moves. The synchronous tilt provides continuous balance and lets the body recline naturally, pivoting at the ankles, knees, and hips. The stool has a 5-star base.

Tilt options include a tilt limiter and tilt limiter with seat angle. The tilt limiter allows the user to limit the amount of recline and set the back into an upright position. The tilt limiter with seat angle allows the user to set the tilt range and select a 5° forward seat angle.

The stool has an upholstered seat. Seat options include a fixed 16" seat depth, or an adjustable seat depth that allows the user to adjust the depth from 16" to 18".

Back-support options include a standard option with no additional support, and an adjustable lumbar support option. The standard option has passive PostureFit® back support molded directly into the strands of the suspension material, providing targeted support at the base of the back, below the beltline, that helps achieve healthier posture and improved lower back comfort. The adjustable lumbar support option adds a user-adjustable lumbar that adjusts 4" in height.

Arm choices include a no arm option; a fixed, non-adjustable option; a height adjustable option that allows the arms to move 4" vertically; and a fully adjustable option that allows the arms to move 4" vertically, 1 3/8" horizontally, 2" front-to-back, with armpads that pivot 11° inward and 11° outward.

**Notes**

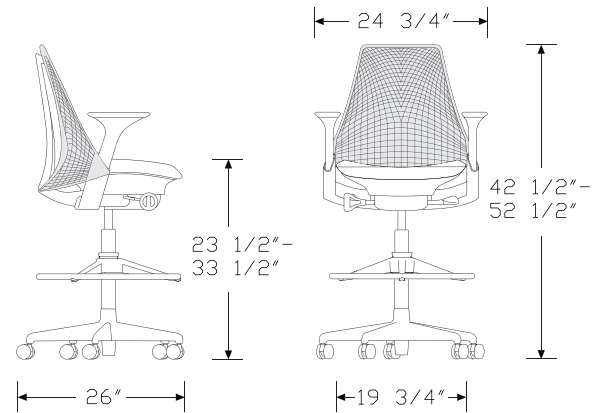
Value package stool is upholstered with a Crossover textile in a black finish; all stool finishes are black (suspension back, stretch knit back cover, Y-Tower, armpads, arms, tilt cover and base).

Footrest available in trivalent chrome; column and ring support are black. Footrest diameter is 20".

Arms and Stretch knit back cover can be removed in the field with no tools required.

For information on casters and glides, see Casters and Glides in Appendices.

**Dimensions**



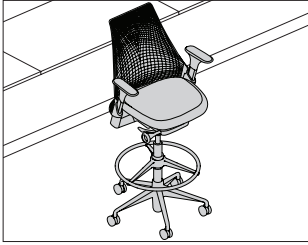


# Work Stool, Suspension Mid-Back, Stretch Knit Back Cover, Value Package *continued*

Specification Information		
Step 1.		
<b>AS7VB</b> <input type="checkbox"/>		
Step 2. Height Adjustment		
<b>5</b>	stool extended height range <input type="checkbox"/>	+\$1351
Step 3. Tilt		
<b>2</b>	tilt limiter <input type="checkbox"/>	+\$0
<b>3</b>	tilt limiter and seat angle <input type="checkbox"/>	+\$51
Step 4. Arms		
<b>N</b>	no arms <input type="checkbox"/>	+\$0
<b>P</b>	fixed arms <input type="checkbox"/>	+\$102
<b>H</b>	height-adjustable arms <input type="checkbox"/>	+\$173
<b>A</b>	fully adjustable arms <input type="checkbox"/>	+\$241
Step 5. Seat-Depth Adjustment		
<b>F</b>	fixed seat depth <input type="checkbox"/>	+\$0
<b>A</b>	adjustable seat depth <input type="checkbox"/>	+\$88
Step 6. Fire Retardancy		
<i>For not fire retardant (*), skip this step.</i>		
	not fire retardant <input type="checkbox"/>	+\$0
Step 7. Back Support Option		
<b>N2</b>	no additional support <input type="checkbox"/>	+\$0
<b>AJ</b>	adjustable lumbar support <input type="checkbox"/>	+\$55
Step 8. Casters		
<b>BB</b>	2½" hard caster, black yoke, carpet only <input type="checkbox"/>	+\$0
<b>GF</b>	2½" glide, hard floors or carpet <input type="checkbox"/>	+\$25
<b>C7</b>	2½" caster, black yoke, hard floors or carpet <input type="checkbox"/>	+\$50
<b>C9</b>	2½" braking caster, black yoke, hard floors or carpet <input type="checkbox"/>	+\$50

# Work Stool, Suspension Mid-Back, Assembled

AS7SA



Sayl® Work Stools

## Product Information

### Description

This fully-assembled work stool has a frameless 3D Intelligent® Suspension back that allows freedom of movement, while providing targeted back support and moving heat away from the body. The suspension is supported by a Y-Tower®. The chair has an upholstered seat with foam padding and passive Posturefit® back support. The synchronous tilt provides continuous balance and lets the body recline naturally, pivoting at the ankles, knees, and hips. The chair has a 5-star base and 3 height-adjustment options.

Tilt options include a tilt limiter and tilt limiter with seat angle. The tilt limiter allows the user to limit the amount of recline and set the back into an upright position. The tilt limiter with seat angle allows the user to set the tilt range and select a 5° forward seat angle.

Seat options include a fixed 16" seat depth, or a height-adjustable seat depth that allows the user to adjust the depth from 16" to 18". Back-support options include a standard option with no additional support, and an adjustable lumbar support option. The standard option has passive Posturefit back support molded directly into the strands of the suspension material, providing targeted support at the base of the back, below the beltline, that helps achieve healthier posture and improved lower back comfort. The adjustable lumbar support option adds a user-adjustable lumbar that adjusts 4" in height.

Arm choices include a no arm option; a fixed, non-adjustable option, a height adjustable option that allows the arms to move 4" vertically; and a fully adjustable option that allows the arms to move 4" vertically, 1 3/8" horizontally, 2" front-to-back, with armpads that pivot 11° inward and 11° outward.

### Notes

Footrest available in trivalent chrome; column and ring support are black. Footrest diameter is 20".

Arm and tilt cover finish matches specified Y-Tower finish.

Arms can be removed in the field with no tools required.

For information on casters and glides, see Casters and Glides in Appendices.

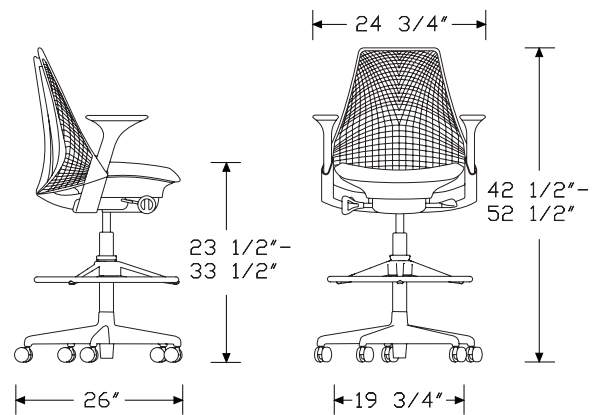
Customer's Own Material (COM) requires 3/4 yard. Customer's Own Leather (COL) requires 8 square feet. See Order information in Appendices.

MicrobeCare™ is an antimicrobial coating that can be applied to a wide variety of Herman Miller Group surfaces to protect products from mold, mildew, algae, and bacteria that cause deterioration, discoloration, odors, and stains.

MicrobeCare™ is a US Environmental Protection Agency (EPA) registered nonpublic health antimicrobial.

MicrobeCare™ is applied to the major touchpoints, including the seat, backrest, arms, armrests, frame and adjustment controls.

## Dimensions



# Work Stool, Suspension Mid-Back, Assembled *continued*

## Specification Information

### Step 1.

**AS7SA** A

### Step 2. Height Adjustment

**5** stool extended height range +\$1251

### Step 3. Tilt

**2** tilt limiter +\$0

**3** tilt limiter and seat angle +\$51

### Step 4. Arms

**N** no arms +\$0

**P** fixed arms +\$102

**H** height-adjustable arms +\$173

**A** fully adjustable arms +\$241

### Step 5. Seat-Depth Adjustment

**F** fixed seat depth +\$0

**A** adjustable seat depth +\$88

### Step 6. Fire Retardancy

*For not fire retardant (\*), skip this step.*

not fire retardant A +\$0

### Step 7. Back Support Option

**N2** no additional support +\$0

**AJ** adjustable lumbar support +\$55

### Step 8. Base/Y-Tower® Finish

*For no arms (N), fixed arms (P), or height-adjustable arms (H)*

**BK** black +\$0

**65** fog with studio white Y-Tower® +\$45

**68** polished aluminum base with black Y-Tower® A +\$95

**67** polished aluminum base with studio white Y-Tower® A +\$145

**MBL** black with MicrobeCare™ A +\$70

**M65** fog with studio white Y-Tower® with MicrobeCare™ A +\$115

**M68** polished aluminum base with black Y-Tower® with MicrobeCare™ A +\$165

**M67** polished aluminum base with studio white Y-Tower® with MicrobeCare™ A +\$215

### For fully adjustable arms (A)

**BK** black +\$0

**65** fog with studio white Y-Tower® +\$45

**68** polished aluminum base with black Y-Tower® A +\$95

**67** polished aluminum base with studio white Y-Tower® A +\$145

**MBL** black with MicrobeCare™ A +\$70

**M65** fog with studio white Y-Tower® with MicrobeCare™ A +\$115

**M68** polished aluminum base with black Y-Tower® with MicrobeCare™ A +\$165

**M67** polished aluminum base with studio white Y-Tower® with MicrobeCare™ A +\$215

### Step 9. Casters

**BB** 2½" hard caster, black yoke, carpet only +\$0

**GF** 2½" glide, hard floors or carpet +\$25

**C7** 2½" caster, black yoke, hard floors or carpet +\$50

**C9** 2½" braking caster, black yoke, hard floors or carpet +\$50

### Step 10. Back Suspension Finish

**5B** java A +\$15

**63** fog +\$15

**BK** black +\$0

**SG** slate grey +\$15

**3M** berry blue A +\$40

**79** green apple +\$40

**98** studio white +\$40

**RO** red +\$40

### Step 11. Armpad Finish

*For fixed arms (P), height-adjustable arms (H), or fully adjustable arms (A)*

**5B** java A +\$0

**63** fog +\$0

**BK** black +\$0

**SG** slate grey +\$0

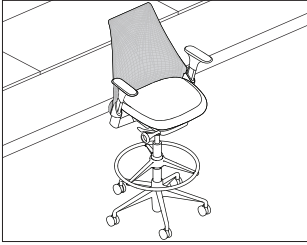
**97** twilight A +\$25

Work Stool, Suspension Mid-Back, Assembled *continued*

Sayl® Work Stools

Step 12. Seat Fabric	
Price Category 9	+\$224
Price Category 10	+\$230
Price Category 1	+\$0
Price Category 2	+\$13
Price Category 3	+\$23
Price Category 4	+\$43
Price Category 5	+\$72
Price Category 7	+\$137
Price Category 8	+\$179
Price Category B	+\$34
Price Category C	+\$46
Price Category D	+\$58
Price Category E	+\$70
Price Category F	+\$90
Price Category G	+\$116
Price Category H	+\$142
Price Category I	+\$166
Price Category J	+\$191
Price Category L	+\$240

Work Stool, Suspension AS7SB  
 Mid-Back with Stretch Knit Back  
 Cover, Assembled



**Product Information**

**Description**

This fully-assembled work stool has a frameless 3D Intelligent® Suspension back and a Stretch knit back cover that allow freedom of movement while providing targeted back support and moving heat away from the body. The suspension is supported by a Y-Tower®. The knit back cover provides a soft layer and has a knit-to-fit construction with elastomeric yarns that allows it to flex as the user moves. The synchronous tilt provides continuous balance and lets the body recline naturally, pivoting at the ankles, knees, and hips. The chair has a 5-star base.

Tilt options include a tilt limiter and tilt limiter with seat angle. The tilt limiter allows the user to limit the amount of recline and set the back into an upright position. The tilt limiter with seat angle allows the user to set the tilt range and select a 5° forward seat angle.

The stool has an upholstered seat. Seat options include a fixed 16" seat depth, or a height-adjustable seat depth that allows the user to adjust the depth from 16" to 18".

Back-support options include a standard option with no additional support, and an adjustable lumbar support option. The standard option has passive PostureFit® back support molded directly into the strands of the suspension material, providing targeted support at the base of the back, below the beltline, that helps achieve healthier posture and improved lower back comfort. The adjustable lumbar support option adds a user-adjustable lumbar that adjusts 4" in height.

Arm choices include a no arm option; a fixed, non-adjustable option, a height adjustable option that allows the arms to move 4" vertically; and a fully adjustable option that allows the arms to move 4" vertically, 1 3/8" horizontally, 2" front-to-back, with arm pads that pivot 11° inward and 11° outward.

**Notes**

Footrest available in trivalent chrome; column and ring support are black. Footrest diameter is 20".

Arm and tilt cover finish matches specified Y-Tower finish.

Arms and Stretch knit back cover can be removed in the field with no tools required.

For information on casters and glides, see Casters and Glides in Appendices.

Customer's Own Material (COM) on the seat requires 3/4 yard.

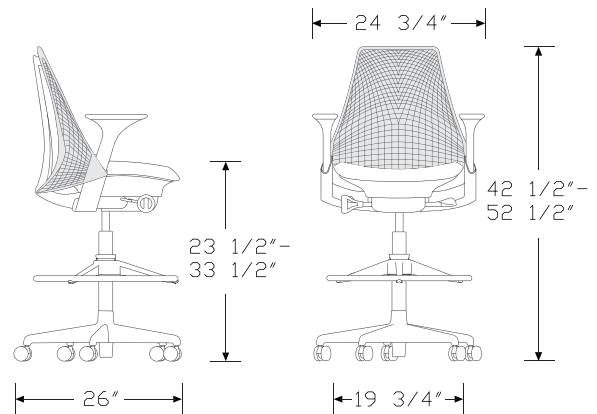
Customer's Own Leather (COL) on the seat requires 8 square feet. See Order information in Appendices.

MicrobeCare™ is an antimicrobial coating that can be applied to a wide variety of Herman Miller Group surfaces to protect products from mold, mildew, algae, and bacteria that cause deterioration, discoloration, odors, and stains.

MicrobeCare™ is a US Environmental Protection Agency (EPA) registered nonpublic health antimicrobial.

MicrobeCare™ is applied to the major touchpoints, including the seat, backrest, arms, armrests, frame and adjustment controls.

**Dimensions**



# Work Stool, Suspension Mid-Back with Stretch Knit Back Cover, Assembled *continued*

Sayl® Work Stools

Specification Information		
Step 1.		
<b>AS7SB</b>	<input type="checkbox"/> A	
Step 2. Height Adjustment		
<b>5</b>	stool extended height range <input type="checkbox"/> A	+\$1380
Step 3. Tilt		
<b>2</b>	tilt limiter <input type="checkbox"/> A	+\$0
<b>3</b>	tilt limiter and seat angle	+\$51
Step 4. Arms		
<b>N</b>	no arms	+\$0
<b>P</b>	fixed arms	+\$102
<b>H</b>	height-adjustable arms	+\$173
<b>A</b>	fully adjustable arms <input type="checkbox"/> A	+\$241
Step 5. Seat-Depth Adjustment		
<b>F</b>	fixed seat depth	+\$0
<b>A</b>	adjustable seat depth <input type="checkbox"/> A	+\$88
Step 6. Fire Retardancy		
<i>For not fire retardant (*), skip this step.</i>		
	not fire retardant <input type="checkbox"/> A	+\$0
Step 7. Back Support Option		
<b>N2</b>	no additional support <input type="checkbox"/> A	+\$0
<b>AJ</b>	adjustable lumbar support	+\$55
Step 8. Base/Y-Tower® Finish		
<i>For no arms (N), fixed arms (P), or height-adjustable arms (H)</i>		
<b>BK</b>	black <input type="checkbox"/> A	+\$0
<b>65</b>	fog with studio white Y-Tower®	+\$45
<b>68</b>	polished aluminum base with black Y-Tower® <input type="checkbox"/> A	+\$95
<b>67</b>	polished aluminum base with studio white Y-Tower® <input type="checkbox"/> A	+\$145
<b>MBL</b>	black with MicrobeCare™ <input type="checkbox"/> A	+\$70
<b>M65</b>	fog with studio white Y-Tower® with MicrobeCare™ <input type="checkbox"/> A	+\$115
<b>M68</b>	polished aluminum base with black Y-Tower® with MicrobeCare™ <input type="checkbox"/> A	+\$165
<b>M67</b>	polished aluminum base with studio white Y-Tower® with MicrobeCare™ <input type="checkbox"/> A	+\$215

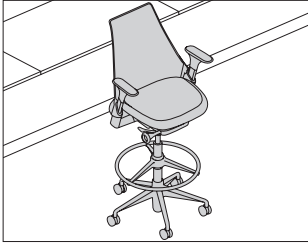
<i>For fully adjustable arms (A)</i>		
<b>BK</b>	black <input type="checkbox"/> A	+\$0
<b>65</b>	fog with studio white Y-Tower®	+\$45
<b>68</b>	polished aluminum base with black Y-Tower® <input type="checkbox"/> A	+\$95
<b>67</b>	polished aluminum base with studio white Y-Tower® <input type="checkbox"/> A	+\$145
<b>MBL</b>	black with MicrobeCare™ <input type="checkbox"/> A	+\$70
<b>M65</b>	fog with studio white Y-Tower® with MicrobeCare™ <input type="checkbox"/> A	+\$115
<b>M68</b>	polished aluminum base with black Y-Tower® with MicrobeCare™ <input type="checkbox"/> A	+\$165
<b>M67</b>	polished aluminum base with studio white Y-Tower® with MicrobeCare™ <input type="checkbox"/> A	+\$215
Step 9. Casters		
<b>BB</b>	2½" hard caster, black yoke, carpet only <input type="checkbox"/> A	+\$0
<b>GF</b>	2½" glide, hard floors or carpet	+\$25
<b>C7</b>	2½" caster, black yoke, hard floors or carpet <input type="checkbox"/> A	+\$50
<b>C9</b>	2½" braking caster, black yoke, hard floors or carpet	+\$50
Step 10. Back Suspension Finish		
<b>5B</b>	java <input type="checkbox"/> A	+\$15
<b>63</b>	fog	+\$15
<b>BK</b>	black <input type="checkbox"/> A	+\$0
<b>SG</b>	slate grey	+\$15
<b>3M</b>	berry blue <input type="checkbox"/> A	+\$40
<b>79</b>	green apple	+\$40
<b>98</b>	studio white	+\$40
<b>RO</b>	red	+\$40
Step 11. Armpad Finish		
<i>For fixed arms (P), height-adjustable arms (H), or fully adjustable arms (A)</i>		
<b>5B</b>	java <input type="checkbox"/> A	+\$0
<b>63</b>	fog	+\$0
<b>BK</b>	black <input type="checkbox"/> A	+\$0
<b>SG</b>	slate grey	+\$0
<b>97</b>	twilight <input type="checkbox"/> A	+\$25

Work Stool, Suspension Mid-Back with Stretch Knit Back Cover, Assembled *continued*

Step 12. Seat Fabric	
Price Category 7	+\$137
Price Category 8	+\$179
Price Category 9	+\$224
Price Category 10	+\$230
Price Category 1	+\$0
Price Category 2	+\$13
Price Category 3	+\$23
Price Category 4	+\$43
Price Category 5	+\$72
Price Category B	+\$34
Price Category C	+\$0
Price Category D	+\$58
Price Category E	+\$70
Price Category F	+\$90
Price Category G	+\$116
Price Category H	+\$142
Price Category I	+\$166
Price Category J	+\$191
Price Category L	+\$240
Step 13. Back Cover Material	
Price Category 1	+\$0

Work Stool, Upholstered  
Mid-Back, Value Package,  
Assembled

AS7VC



Sayl® Work Stools

**Product Information**

**Description**

This fully-assembled work stool has a flexible narrow-top back supported by a Y-Tower® that allows freedom of movement, an upholstered seat and back with foam padding, and passive Posturefit® back support. The synchronous tilt provides continuous balance and lets the body recline naturally, pivoting at the ankles, knees, and hips. The stool has a 5-star base.

Tilt options include a tilt limiter and tilt limiter with seat angle. The tilt limiter allows the user to limit the amount of recline and set the back into an upright position. The tilt limiter with seat angle allows the user to set the tilt range and select a 5° forward seat angle.

Seat options include a fixed 16" seat depth, or an adjustable seat depth that allows the user to adjust the depth from 16" to 18".

Back-support options include a standard option with no additional support, and an adjustable lumbar support option. The standard option has passive Posturefit back support, providing targeted support at the base of the back, below the beltline, that helps achieve healthier posture and improved lower back comfort. The adjustable lumbar support option adds a user-adjustable lumbar that adjusts 4" in height.

Arm choices include a no arm option; a fixed, non-adjustable option; a height adjustable option that allows the arms to move 4" vertically; and a fully adjustable option that allows the arms to move 4" vertically, 1 3/8" horizontally, 2" front-to-back, with armpads that pivot 11° inward and 11° outward.

**Notes**

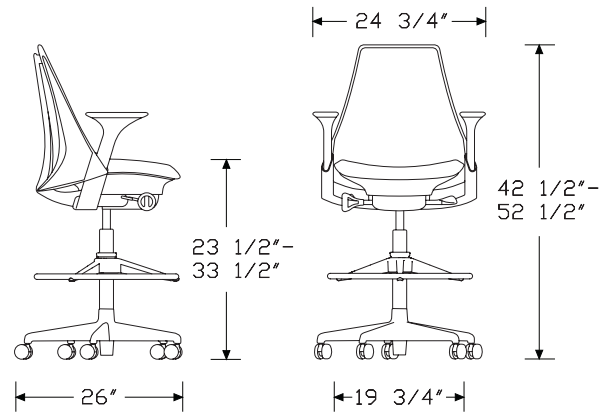
Value package stool is upholstered with a Crossover textile in a black finish; all stool finishes are black (Y-Tower, armpads, arms, tilt cover and base).

Footrest available in trivalent chrome; column and ring support are black. Footrest diameter is 20".

Arms can be removed in the field with no tools required.

For information on casters and glides, see Casters and Glides in Appendices.

**Dimensions**





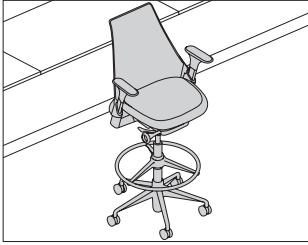
# Work Stool, Upholstered Mid-Back, Value Package, Assembled

continued

Specification Information		
Step 1.		
<b>AS7VC</b> <input type="checkbox"/>		
Step 2. Height Adjustment		
<b>5</b>	stool extended height range	+\$1320
Step 3. Tilt		
<b>2</b>	tilt limiter	+\$0
<b>3</b>	tilt limiter and seat angle	+\$51
Step 4. Arms		
<b>N</b>	no arms	+\$0
<b>P</b>	fixed arms	+\$102
<b>H</b>	height-adjustable arms	+\$173
<b>A</b>	fully adjustable arms	+\$241
Step 5. Seat-Depth Adjustment		
<b>F</b>	fixed seat depth	+\$0
<b>A</b>	adjustable seat depth	+\$88
Step 6. Fire Retardancy		
<i>For not fire retardant (*), skip this step.</i>		
	not fire retardant <input type="checkbox"/>	+\$0
Step 7. Back Support Option		
<b>N2</b>	no additional support	+\$0
<b>AJ</b>	adjustable lumbar support	+\$55
Step 8. Casters		
<b>BB</b>	2 1/2" hard caster, black yoke, carpet only	+\$0
<b>GF</b>	2 1/2" glide, hard floors or carpet	+\$25
<b>C7</b>	2 1/2" caster, black yoke, hard floors or carpet	+\$50
<b>C9</b>	2 1/2" braking caster, black yoke, hard floors or carpet	+\$50

# Work Stool, Upholstered Mid-Back, Assembled

AS7SC



Sayl® Work Stools

## Product Information

### Description

This fully-assembled work stool has a flexible narrow-top back supported by a Y-Tower® that allows freedom of movement, an upholstered seat and back with foam padding, and passive Posturefit® back support. The synchronous tilt provides continuous balance and lets the body recline naturally, pivoting at the ankles, knees, and hips. The stool has a 5-star base and 3 height-adjustment options.

Tilt options include a tilt limiter and tilt limiter with seat angle. The tilt limiter allows the user to limit the amount of recline and set the back into an upright position. The tilt limiter with seat angle allows the user to set the tilt range and select a 5° forward seat angle.

Seat options include a fixed 16" seat depth, or an adjustable seat depth that allows the user to adjust the depth from 16" to 18".

Back-support options include a standard option with no additional support, and an adjustable lumbar support option. The standard option has passive Posturefit back support, providing targeted support at the base of the back, below the beltline, that helps achieve healthier posture and improved lower back comfort. The adjustable lumbar support option adds a user-adjustable lumbar that adjusts 4" in height.

Arm choices include a no arm option; a fixed, non-adjustable option; a height adjustable option that allows the arms to move 4" vertically; and a fully adjustable option that allows the arms to move 4" vertically, 1 3/8" horizontally, 2" front-to-back, with armpads that pivot 11° inward and 11° outward.

### Notes

Footrest available in trivalent chrome; column and ring support are black. Footrest diameter is 20".

Arm and tilt cover finish matches specified Y-Tower finish.

Arms can be removed in the field with no tools required.

For information on casters and glides, see Casters and Glides in Appendices.

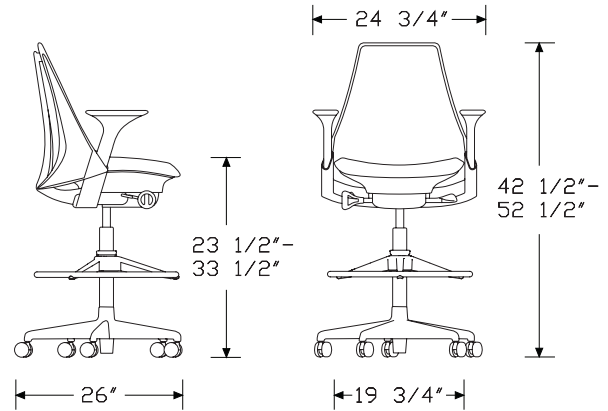
Customer's Own Material (COM) requires 1 3/4 yards. Customer's Own Leather (COL) requires 22 square feet. See Order information in Appendices.

MicrobeCare™ is an antimicrobial coating that can be applied to a wide variety of Herman Miller Group surfaces to protect products from mold, mildew, algae, and bacteria that cause deterioration, discoloration, odors, and stains.

MicrobeCare™ is a US Environmental Protection Agency (EPA) registered nonpublic health antimicrobial.

MicrobeCare™ is applied to the major touchpoints, including the seat, backrest, arms, armrests, frame and adjustment controls.

## Dimensions



# Work Stool, Upholstered Mid-Back, Assembled *continued*

## Specification Information

### Step 1.

**AS7SC** A

### Step 2. Height Adjustment

**5** stool extended height range +\$1347

### Step 3. Tilt

**2** tilt limiter +\$0

**3** tilt limiter and seat angle +\$51

### Step 4. Arms

**N** no arms +\$0

**P** fixed arms +\$102

**H** height-adjustable arms +\$173

**A** fully adjustable arms +\$241

### Step 5. Seat-Depth Adjustment

**F** fixed seat depth +\$0

**A** adjustable seat depth +\$88

### Step 6. Fire Retardancy

*For not fire retardant (\*), skip this step.*

not fire retardant A +\$0

### Step 7. Back Support Option

**N2** no additional support +\$0

**AJ** adjustable lumbar support +\$55

### Step 8. Base/Y-Tower® Finish

*For no arms (N), fixed arms (P), or height-adjustable arms (H)*

**BK** black +\$0

**65** fog with studio white Y-Tower® +\$45

**68** polished aluminum base with black Y-Tower® A +\$95

**67** polished aluminum base with studio white Y-Tower® A +\$145

**MBL** black with MicrobeCare™ A +\$70

**M65** fog with studio white Y-Tower® with MicrobeCare™ A +\$115

**M68** polished aluminum base with black Y-Tower® with MicrobeCare™ A +\$165

**M67** polished aluminum base with studio white Y-Tower® with MicrobeCare™ A +\$215

*For fully adjustable arms (A)*

**BK** black +\$0

**65** fog with studio white Y-Tower® +\$45

**68** polished aluminum base with black Y-Tower® A +\$95

**67** polished aluminum base with studio white Y-Tower® A +\$145

**MBL** black with MicrobeCare™ A +\$70

**M65** fog with studio white Y-Tower® with MicrobeCare™ A +\$115

**M68** polished aluminum base with black Y-Tower® with MicrobeCare™ A +\$165

**M67** polished aluminum base with studio white Y-Tower® with MicrobeCare™ A +\$215

### Step 9. Casters

**BB** 2½" hard caster, black yoke, carpet only +\$0

**GF** 2½" glide, hard floors or carpet +\$25

**C7** 2½" caster, black yoke, hard floors or carpet +\$50

**C9** 2½" braking caster, black yoke, hard floors or carpet +\$50

### Step 10. Armpad Finish

*For fixed arms (P), height-adjustable arms (H), or fully adjustable arms (A)*

**5B** java A +\$0

**63** fog +\$0

**BK** black +\$0

**SG** slate grey +\$0

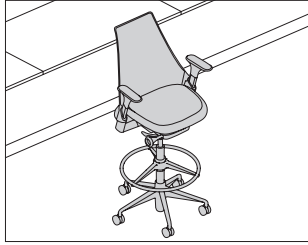
**97** twilight A +\$25

# Work Stool, Upholstered Mid-Back, Assembled *continued*

Sayl® Work Stools

Step 11. Seat/Back Fabric	
<i>For not fire retardant</i>	
<i>See application chart and textiles list for fabric usage and numbers.</i>	
<i>First 2 digits of number indicate fabric line; remaining digit(s) indicate fabric color.</i>	
Price Category 9	+\$480
Price Category 10	+\$577
Price Category 1	+\$0
Price Category 2	+\$26
Price Category 3	+\$48
Price Category 4	+\$92
Price Category 5	+\$148
Price Category B	+\$71
Price Category C	+\$97
Price Category D	+\$122
Price Category E	+\$148
Price Category F	+\$191
Price Category G	+\$248
Price Category H	+\$301
Price Category I	+\$354
Price Category J	+\$407
Price Category L	+\$512

# Work Stool, Upholstered High-Back, Value Package, Assembled AS7VD



## Product Information

### Description

This fully-assembled stool has a flexible narrow-top high back supported by a Y-Tower® that allows freedom of movement, an upholstered seat and back with foam padding, and passive Posturefit® back support. The synchronous tilt provides continuous balance and lets the body recline naturally, pivoting at the ankles, knees, and hips. The stool has a 5-star base.

Tilt options include a tilt limiter and tilt limiter with seat angle. The tilt limiter allows the user to limit the amount of recline and set the back into an upright position. The tilt limiter with seat angle allows the user to set the tilt range and select a 5° forward seat angle.

Seat options include a fixed 16" seat depth, or an adjustable seat depth that allows the user to adjust the depth from 16" to 18".

Back-support options include a standard option with no additional support, and an adjustable lumbar support option. The standard option has passive Posturefit back support, providing targeted support at the base of the back, below the beltline, that helps achieve healthier posture and improved lower back comfort. The adjustable lumbar support option adds a user-adjustable lumbar that adjusts 4" in height.

Arm choices include a no arm option; a fixed, non-adjustable option; a height adjustable option that allows the arms to move 4" vertically; and a fully adjustable option that allows the arms to move 4" vertically, 1 3/8" horizontally, 2" front-to-back, with armpads that pivot 11° inward and 11° outward.

### Notes

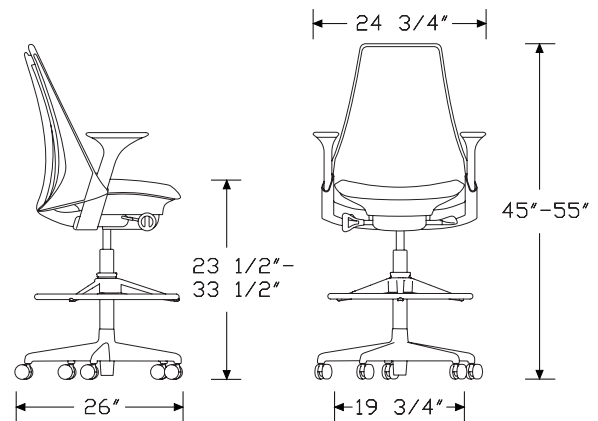
Value package stool is upholstered with a Crossover textile in a black finish; all stool finishes are black (Y-Tower, armpads, arms, tilt cover and base).

Footrest available in trivalent chrome; column and ring support are black. Footrest diameter is 20".

Arms can be removed in the field with no tools required.

For information on casters and glides, see Casters and Glides in Appendices.

## Dimensions



Sayl® Work Stools

# Work Stool, Upholstered High-Back, Value Package, Assembled

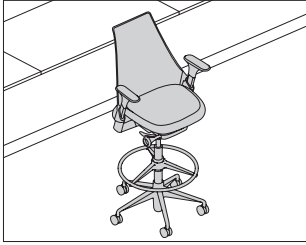
continued

Sayl® Work Stools

Specification Information		
Step 1.		
<b>AS7VD</b> <input type="checkbox"/>		
Step 2. Height Adjustment		
<b>5</b>	stool extended height range <input type="checkbox"/>	+\$1384
Step 3. Tilt		
<b>2</b>	tilt limiter <input type="checkbox"/>	+\$0
<b>3</b>	tilt limiter and seat angle <input type="checkbox"/>	+\$51
Step 4. Arms		
<b>N</b>	no arms <input type="checkbox"/>	+\$0
<b>P</b>	fixed arms <input type="checkbox"/>	+\$102
<b>H</b>	height-adjustable arms <input type="checkbox"/>	+\$173
<b>A</b>	fully adjustable arms <input type="checkbox"/>	+\$241
Step 5. Seat-Depth Adjustment		
<b>F</b>	fixed seat depth <input type="checkbox"/>	+\$0
<b>A</b>	adjustable seat depth <input type="checkbox"/>	+\$88
Step 6. Fire Retardancy		
<i>For not fire retardant (*), skip this step.</i>		
	not fire retardant <input type="checkbox"/>	+\$0
Step 7. Back Support Option		
<b>N2</b>	no additional support <input type="checkbox"/>	+\$0
<b>AJ</b>	adjustable lumbar support <input type="checkbox"/>	+\$55
Step 8. Casters		
<b>BB</b>	2½" hard caster, black yoke, carpet only <input type="checkbox"/>	+\$0
<b>GF</b>	2½" glide, hard floors or carpet <input type="checkbox"/>	+\$25
<b>C7</b>	2½" caster, black yoke, hard floors or carpet <input type="checkbox"/>	+\$50
<b>C9</b>	2½" braking caster, black yoke, hard floors or carpet <input type="checkbox"/>	+\$50

# Work Stool, Upholstered High-Back, Assembled

AS7SD



## Product Information

### Description

This fully-assembled work stool has a flexible narrow-top high back supported by a Y-Tower® that allows freedom of movement, an upholstered seat and back with foam padding, and passive Posturefit® back support. The synchronous tilt provides continuous balance and lets the body recline naturally, pivoting at the ankles, knees, and hips. The chair has a 5-star base.

Tilt options include a tilt limiter and tilt limiter with seat angle. The tilt limiter allows the user to limit the amount of recline and set the back into an upright position. The tilt limiter with seat angle allows the user to set the tilt range and select a 5° forward seat angle.

Seat options include a fixed 16" seat depth, or an adjustable seat depth that allows the user to adjust the depth from 16" to 18".

Back-support options include a standard option with no additional support, and an adjustable lumbar support option. The standard option has passive Posturefit back support, providing targeted support at the base of the back, below the beltline, that helps achieve healthier posture and improved lower back comfort. The adjustable lumbar support option adds a user-adjustable lumbar that adjusts 4" in height.

Arm choices include a no arm option; a fixed, non-adjustable option; a height adjustable option that allows the arms to move 4" vertically; and a fully adjustable option that allows the arms to move 4" vertically, 1 3/8" horizontally, 2" front-to-back, with arm pads that pivot 11° inward and 11° outward.

### Notes

Footrest available in trivalent chrome; column and ring support are black. Footrest diameter is 20".

Arm and tilt cover finish matches specified Y-Tower finish.

Arms can be removed in the field with no tools required.

For information on casters and glides, see Casters and Glides in Appendices.

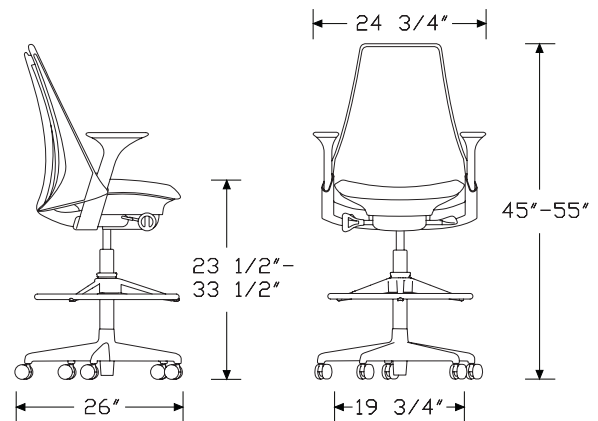
Customer's Own Material (COM) requires 2 yards. Customer's Own Leather (COL) requires 23 3/8 square feet. See Order information in Appendices.

MicrobeCare™ is an antimicrobial coating that can be applied to a wide variety of Herman Miller Group surfaces to protect products from mold, mildew, algae, and bacteria that cause deterioration, discoloration, odors, and stains.

MicrobeCare™ is a US Environmental Protection Agency (EPA) registered nonpublic health antimicrobial.

MicrobeCare™ is applied to the major touchpoints, including the seat, backrest, arms, armrests, frame and adjustment controls.

## Dimensions



Sayl® Work Stools

# Work Stool, Upholstered High-Back, Assembled *continued*

Sayl® Work Stools

Specification Information		
Step 1.		
<b>AS7SD</b>	<input type="checkbox"/>	
Step 2. Height Adjustment		
<b>5</b>	stool extended height range <input type="checkbox"/>	+\$1411
Step 3. Tilt		
<b>2</b>	tilt limiter <input type="checkbox"/>	+\$0
<b>3</b>	tilt limiter and seat angle <input type="checkbox"/>	+\$51
Step 4. Arms		
<b>N</b>	no arms <input type="checkbox"/>	+\$0
<b>P</b>	fixed arms <input type="checkbox"/>	+\$102
<b>H</b>	height-adjustable arms <input type="checkbox"/>	+\$173
<b>A</b>	fully adjustable arms <input type="checkbox"/>	+\$241
Step 5. Seat-Depth Adjustment		
<b>F</b>	fixed seat depth <input type="checkbox"/>	+\$0
<b>A</b>	adjustable seat depth <input type="checkbox"/>	+\$88
Step 6. Fire Retardancy		
<i>For not fire retardant (*), skip this step.</i>		
	not fire retardant <input type="checkbox"/>	+\$0
Step 7. Back Support Option		
<b>N2</b>	no additional support <input type="checkbox"/>	+\$0
<b>AJ</b>	adjustable lumbar support <input type="checkbox"/>	+\$55
Step 8. Base/Y-Tower® Finish		
<i>For no arms (N), fixed arms (P), or height-adjustable arms (H)</i>		
<b>BK</b>	black <input type="checkbox"/>	+\$0
<b>65</b>	fog with studio white Y-Tower® <input type="checkbox"/>	+\$45
<b>68</b>	polished aluminum base with black Y-Tower® <input type="checkbox"/>	+\$95
<b>67</b>	polished aluminum base with studio white Y-Tower® <input type="checkbox"/>	+\$145
<b>MBL</b>	black with MicrobeCare™ <input type="checkbox"/>	+\$70
<b>M65</b>	fog with studio white Y-Tower® with MicrobeCare™ <input type="checkbox"/>	+\$115
<b>M68</b>	polished aluminum base with black Y-Tower® with MicrobeCare™ <input type="checkbox"/>	+\$165
<b>M67</b>	polished aluminum base with studio white Y-Tower® with MicrobeCare™ <input type="checkbox"/>	+\$215

<i>For fully adjustable arms (A)</i>		
<b>BK</b>	black <input type="checkbox"/>	+\$0
<b>65</b>	fog with studio white Y-Tower® <input type="checkbox"/>	+\$45
<b>68</b>	polished aluminum base with black Y-Tower® <input type="checkbox"/>	+\$95
<b>67</b>	polished aluminum base with studio white Y-Tower® <input type="checkbox"/>	+\$145
<b>MBL</b>	black with MicrobeCare™ <input type="checkbox"/>	+\$70
<b>M65</b>	fog with studio white Y-Tower® with MicrobeCare™ <input type="checkbox"/>	+\$115
<b>M68</b>	polished aluminum base with black Y-Tower® with MicrobeCare™ <input type="checkbox"/>	+\$165
<b>M67</b>	polished aluminum base with studio white Y-Tower® with MicrobeCare™ <input type="checkbox"/>	+\$215
Step 9. Casters		
<b>BB</b>	2½" hard caster, black yoke, carpet only <input type="checkbox"/>	+\$0
<b>GF</b>	2½" glide, hard floors or carpet <input type="checkbox"/>	+\$25
<b>C7</b>	2½" caster, black yoke, hard floors or carpet <input type="checkbox"/>	+\$50
<b>C9</b>	2½" braking caster, black yoke, hard floors or carpet <input type="checkbox"/>	+\$50
Step 10. Armpad Finish		
<i>For fixed arms (P), height-adjustable arms (H), or fully adjustable arms (A)</i>		
<b>5B</b>	java <input type="checkbox"/>	+\$0
<b>63</b>	fog <input type="checkbox"/>	+\$0
<b>BK</b>	black <input type="checkbox"/>	+\$0
<b>SG</b>	slate grey <input type="checkbox"/>	+\$0
<b>97</b>	twilight <input type="checkbox"/>	+\$25



# Work Stool, Upholstered High-Back, Assembled *continued*

## Step 11. Seat/Back Fabric

*For not fire retardant*

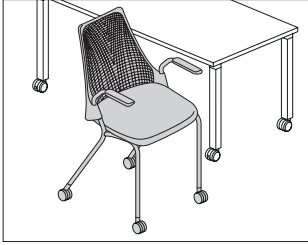
*See application chart and textiles list for fabric usage and numbers.*

*First 2 digits of number indicate fabric line; remaining digit(s) indicate fabric color.*

Price Category 9	+\$562
Price Category 10	+\$685
Price Category 1	+\$0
Price Category 2	+\$29
Price Category 3	+\$60
Price Category 4	+\$109
Price Category 5	+\$184
Price Category B	+\$84
Price Category C	+\$115
Price Category E	+\$175
Price Category F	+\$227
Price Category H	+\$360
Price Category I	+\$424
Price Category J	+\$486
Price Category L	+\$612

Side Chair, 4-Leg Base, Value Package

AS4VS  
AS4VU



Sayl® Side Chairs

**Product Information**

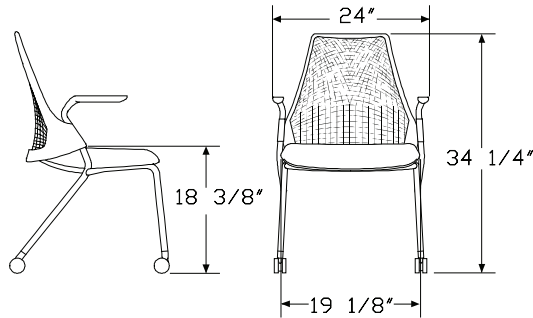
**Description**

This side chair has a 4-leg base with glides or casters. It has an upholstered seat with foam padding and is available with an upholstered or suspension back. It is available with or without arms. All styles of this chair can be stacked up to 4-chairs high on the floor.

**Notes**

Value package chair is upholstered with a Crossover textile in a black finish; all chair finishes are black. For information on casters and glides, see Casters and Glides in Appendices.

**Dimensions**



**Specification Information**

**Step 1.**

**AS4V**  A

**Step 2. Back Style**

<b>S</b>	suspension back <input type="checkbox"/> A	+\$626
<b>U</b>	upholstered back	+\$689

**Step 3. Arms**

<b>N</b>	no arms <input type="checkbox"/> A	+\$0
<b>P</b>	fixed arms <input type="checkbox"/> A	+\$59

**Step 4. Fire Retardancy**

*For not fire retardant (\*), skip this step.*

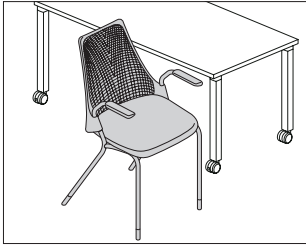
	not fire retardant <input type="checkbox"/> A	+\$0
--	---	------

**Step 5. Casters/Glides**

<b>16</b>	acetal glide, carpet only <input type="checkbox"/> A	+\$0
<b>69</b>	Floor Saver Glide®, hard floors only <input type="checkbox"/> A	+\$25
<b>32</b>	hard wheel caster, carpet only <input type="checkbox"/> A	+\$50
<b>49</b>	soft wheel caster, carpet or hard floors <input type="checkbox"/> A	+\$50

# Side Chair, 4-Leg Base

AS4SS  
AS4SU



### Product Information

#### Description

This side chair has a 4-leg base with glides or casters. It has an upholstered seat with foam padding and is available with an upholstered or suspension back. It is available with or without arms. All styles of this chair can be stacked up to 4-chairs high on the floor.

#### Notes

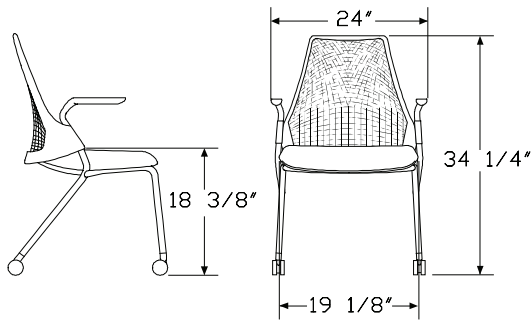
For information on casters and glides, see Casters and Glides in Appendices.

Customer's Own Material (COM) requires  $\frac{3}{4}$  yard for chairs with suspension backs and  $1\frac{1}{2}$  yards for chairs with upholstered backs.

See Order information in Appendices.

Customers Own Leather (COL) requires  $5\frac{1}{2}$  square feet for chairs with suspension backs and 10 square feet for chairs with upholstered backs.

### Dimensions



### Specification Information

#### Step 1.

**AS4S**

#### Step 2. Back Style

<b>S</b>	suspension back <input type="checkbox"/>	+\$652
<b>U</b>	upholstered back	+\$715

#### Step 3. Arms

<b>N</b>	no arms <input type="checkbox"/>	+\$0
<b>P</b>	fixed arms <input type="checkbox"/>	+\$59

#### Step 4. Fire Retardancy

*For not fire retardant (\*), skip this step.*

	not fire retardant <input type="checkbox"/>	+\$0
--	---	------

#### Step 5. Casters/Glides

<b>16</b>	acetal glide, carpet only <input type="checkbox"/>	+\$0
<b>69</b>	Floor Saver Glide®, hard floors only <input type="checkbox"/>	+\$25
<b>32</b>	hard wheel caster, carpet only <input type="checkbox"/>	+\$50
<b>49</b>	soft wheel caster, carpet or hard floors <input type="checkbox"/>	+\$50

#### Step 6. Leg Finish

<b>BK</b>	black <input type="checkbox"/>	+\$0
<b>98</b>	studio white	+\$20
<b>MS</b>	metallic silver <input type="checkbox"/>	+\$20
<b>47</b>	trivalent chrome <input type="checkbox"/>	+\$165

#### Step 7. Back/Back Edge Finish

<b>5B</b>	java <input type="checkbox"/>	+\$0
<b>63</b>	fog <input type="checkbox"/>	+\$0
<b>97</b>	twilight <input type="checkbox"/>	+\$0
<b>98</b>	studio white <input type="checkbox"/>	+\$0
<b>BK</b>	black <input type="checkbox"/>	+\$0
<b>SG</b>	slate grey <input type="checkbox"/>	+\$0

#### Step 8. Back Suspension Finish

*For suspension back (S)*

<b>5B</b>	java <input type="checkbox"/>	+\$15
<b>63</b>	fog <input type="checkbox"/>	+\$15
<b>BK</b>	black <input type="checkbox"/>	+\$0
<b>SG</b>	slate grey <input type="checkbox"/>	+\$15
<b>3M</b>	berry blue <input type="checkbox"/>	+\$40
<b>79</b>	green apple <input type="checkbox"/>	+\$40
<b>98</b>	studio white <input type="checkbox"/>	+\$40
<b>RO</b>	red <input type="checkbox"/>	+\$40

Sayl® Side Chairs

# Side Chair, 4-Leg Base *continued*

Sayl® Side Chairs

## Step 9. Arm/Glide Finish

<b>63</b>	fog <b>A</b>	+\$0
<b>BK</b>	black <b>A</b>	+\$0

## Step 10. Seat Fabric

See application chart and textiles list for fabric usage and numbers.  
First 2 digits of number indicate fabric line; remaining digit(s) indicate fabric color.

### For suspension back (S) with not fire retardant

Price Category 10	+\$270
Price Category 9	+\$224
Price Category 1	+\$0
Price Category 2	+\$13
Price Category 3	+\$23
Price Category 4	+\$43
Price Category 5	+\$72
Price Category 7	+\$137
Price Category 8	+\$179
Price Category B	+\$34
Price Category C	+\$46
Price Category D	+\$58
Price Category E	+\$70
Price Category F	+\$90
Price Category G	+\$116
Price Category H	+\$142
Price Category I	+\$166
Price Category J	+\$191
Price Category L	+\$240
Price Category M	+\$265
Price Category L	+\$240

### For upholstered back (U) with not fire retardant

Price Category 1	+\$0
Price Category 2	+\$13
Price Category 3	+\$23
Price Category 4	+\$43
Price Category 5	+\$72
Price Category 9	+\$224
Price Category 10	+\$270
Price Category B	+\$34
Price Category C	+\$46
Price Category D	+\$58
Price Category E	+\$70
Price Category F	+\$90
Price Category G	+\$116
Price Category H	+\$142
Price Category I	+\$166
Price Category L	+\$240

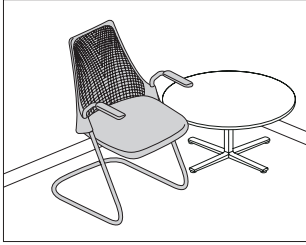
## Step 11. Back Fabric

For upholstered back (U) with not fire retardant  
See application chart and textiles list for fabric usage and numbers.  
First 2 digits of number indicate fabric line; remaining digit(s) indicate fabric color.

Price Category 10	+\$270
Price Category 9	+\$224
Price Category 1	+\$0
Price Category 2	+\$13
Price Category 3	+\$23
Price Category 4	+\$43
Price Category 5	+\$72
Price Category B	+\$34
Price Category C	+\$46
Price Category D	+\$58
Price Category E	+\$70
Price Category F	+\$90
Price Category G	+\$116
Price Category H	+\$142
Price Category I	+\$166
Price Category L	+\$240

Side Chair, Sled Base, Value Package

AS5VS  
AS5VU



**Product Information**

**Description**

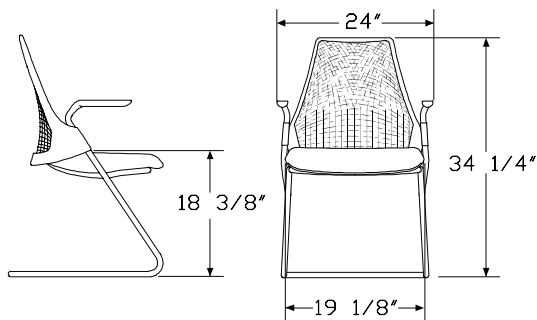
This side chair has a sled base with or without glides, an upholstered seat with foam padding, and is available with an upholstered or suspension back. It is available with or without arms.

**Notes**

Value package chair is upholstered with a Crossover textile in a black finish; all chair finishes are black.

For chair used on carpet, no glide (NG) or nylon glide, hard floor or carpet (XS) option is recommended. For chair used on hard floors, nylon glide, hard floor or carpet (XS) option is recommended. For information on glides, see Casters and Glides in Appendices.

**Dimensions**



**Specification Information**

**Step 1.**

**AS5V**

**Step 2. Back Style**

<b>S</b>	suspension back	+\$738
<b>U</b>	upholstered back	+\$804

**Step 3. Arms**

<b>N</b>	no arms	+\$0
<b>P</b>	fixed arms	+\$59

**Step 4. Fire Retardancy**

*For not fire retardant (\*), skip this step.*

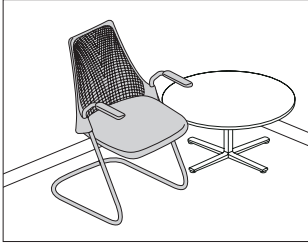
	not fire retardant	+\$0
--	--------------------	------

**Step 5. Glides**

<b>NG</b>	no glide, carpet only	+\$0
<b>XS</b>	nylon glide, hard floors or carpet	+\$20

# Side Chair, Sled Base

AS5SS  
AS5SU



Sayl® Side Chairs

## Product Information

### Description

This side chair has a sled base with or without glides, an upholstered seat with foam padding, and is available with an upholstered or suspension back. It is available with or without arms.

### Notes

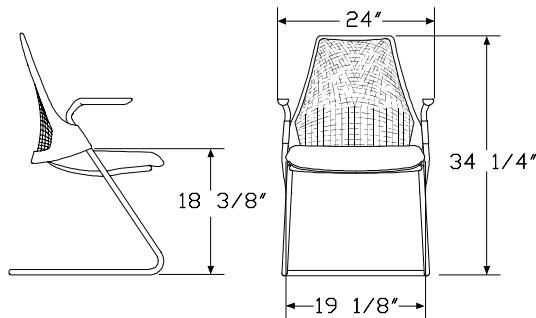
For chair used on carpet, no glide (NG) or nylon glide, hard floor or carpet (XS) option is recommended. For chair used on hard floors, nylon glide, hard floor or carpet (XS) option is recommended. For information on glides, see Casters and Glides in Appendices.

Customer's Own Material (COM) requires ¾ yard for chairs with suspension back and 1½ yards for chairs with upholstered backs.

See Order information in Appendices.

Customers Own Leather (COL) requires 5½ square feet for chairs with suspension backs and 10 square feet for chairs with upholstered backs.

## Dimensions



## Specification Information

### Step 1.

#### AS5S

### Step 2. Back Style

<b>S</b>	suspension back	+\$763
<b>U</b>	upholstered back	+\$829

### Step 3. Arms

<b>N</b>	no arms	+\$0
<b>P</b>	fixed arms	+\$59

### Step 4. Fire Retardancy

*For not fire retardant (\*), skip this step.*

	not fire retardant	+\$0
--	--------------------	------

### Step 5. Glides

<b>NG</b>	no glide, carpet only	+\$0
<b>XS</b>	nylon glide, hard floors or carpet	+\$20

### Step 6. Base Finish

<b>BK</b>	black	+\$0
<b>98</b>	studio white	+\$20
<b>MS</b>	metallic silver	+\$20
<b>47</b>	trivalent chrome <span style="border: 1px solid black; padding: 0 2px;">A</span>	+\$165

### Step 7. Back Edge Finish

<b>5B</b>	java <span style="border: 1px solid black; padding: 0 2px;">A</span>	+\$0
<b>63</b>	fog	+\$0
<b>97</b>	twilight <span style="border: 1px solid black; padding: 0 2px;">A</span>	+\$0
<b>98</b>	studio white	+\$0
<b>BK</b>	black	+\$0
<b>SG</b>	slate grey	+\$0

### Step 8. Back Suspension Finish

*For suspension back (S)*

<b>5B</b>	java <span style="border: 1px solid black; padding: 0 2px;">A</span>	+\$15
<b>63</b>	fog	+\$15
<b>BK</b>	black	+\$0
<b>SG</b>	slate grey	+\$15
<b>3M</b>	berry blue <span style="border: 1px solid black; padding: 0 2px;">A</span>	+\$40
<b>79</b>	green apple <span style="border: 1px solid black; padding: 0 2px;">A</span>	+\$40
<b>98</b>	studio white	+\$40
<b>RO</b>	red <span style="border: 1px solid black; padding: 0 2px;">A</span>	+\$40

## Side Chair, Sled Base *continued*

### Step 9. Arm Finish

*For fixed arms (P)*

<b>63</b>	fog	+\$0
<b>BK</b>	black	+\$0

### Step 10. Seat Fabric

*See application chart and textiles list for fabric usage and numbers.*

*First 2 digits of number indicate fabric line; remaining digit(s) indicate fabric color.*

*For suspension back (S) with not fire retardant*

Price Category 1	+\$0
Price Category 2	+\$13
Price Category 3	+\$23
Price Category 4	+\$43
Price Category 5	+\$72
Price Category 7	+\$137
Price Category 8	+\$179
Price Category 9	+\$224
Price Category 10	+\$270
Price Category B	+\$34
Price Category C	+\$46
Price Category D	+\$58
Price Category E	+\$70
Price Category F	+\$90
Price Category G	+\$116
Price Category H	+\$142
Price Category I	+\$166
Price Category J	+\$191
Price Category L	+\$240
Price Category M	+\$265

*For upholstered back (U) with not fire retardant*

Price Category 1	+\$0
Price Category 2	+\$13
Price Category 3	+\$23
Price Category 4	+\$43
Price Category 5	+\$72
Price Category 9	+\$224
Price Category 10	+\$270
Price Category B	+\$34
Price Category C	+\$46
Price Category E	+\$70
Price Category F	+\$90
Price Category G	+\$116
Price Category H	+\$142
Price Category I	+\$166

### Step 11. Back Fabric

*For upholstered back (U) with not fire retardant*

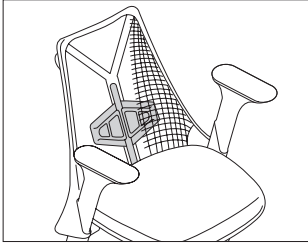
*See application chart and textiles list for fabric usage and numbers.*

*First 2 digits of number indicate fabric line; remaining digit(s) indicate fabric color.*

Price Category 1	+\$0
Price Category 2	+\$13
Price Category 3	+\$23
Price Category 4	+\$43
Price Category 5	+\$72
Price Category B	+\$34
Price Category E	+\$70
Price Category F	+\$90
Price Category H	+\$142
Price Category I	+\$146

# Lumbar Kit

AS905



### Product Information

#### Description

This height-adjustable lumbar support fits into the back of a Sayl® work chair with a suspension back and adjusts 4" in height.

#### Notes

Match lumbar finish with chair's Y-tower® finish.

### Specification Information

#### Step 1.

**AS905** \$66

#### Step 2. Lumbar Finish

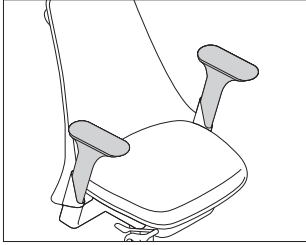
**98** studio white +\$0

**BK** black +\$0



# Arm Kit

AS900



### Product Information

#### Description

These arms retrofit to a Sayl® work chair. Arm choices include a height adjustable option that allows the arms to move 4" vertically and a fully adjustable option that allows the arms to move 4" vertically, 1<sup>3</sup>/<sub>8</sub>" horizontally, 2" front-to-back, with armpads that pivot 11° inward and 11° outward.

### Specification Information

#### Step 1.

**AS900**

#### Step 2. Arms

<b>A</b>	fully adjustable arms <input type="checkbox"/>	+\$253
<b>H</b>	height-adjustable arms <input type="checkbox"/>	+\$171

#### Step 3. Arm Finish

<b>98</b>	studio white <input type="checkbox"/>	+\$0
<b>BK</b>	black <input type="checkbox"/>	+\$0

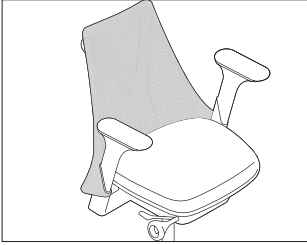
#### Step 4. Armpad Finish

<b>5B</b>	java <input type="checkbox"/>	+\$0
<b>63</b>	fog <input type="checkbox"/>	+\$0
<b>BK</b>	black <input type="checkbox"/>	+\$0
<b>SG</b>	slate grey <input type="checkbox"/>	+\$0
<b>97</b>	twilight <input type="checkbox"/>	+\$25

Sayl® Accessories

# Sayl® Back Cover Kit

AS910



### Product Information

**Description**  
This Stretch knit back cover kit retrofits onto the back of the Sayl® work chair or stool with a 3D Intelligent® suspension back. It provides a soft layer to the front of the Sayl suspension back while maintaining breathability and moving heat away from the body. The Stretch knit has an elastomeric construction that allows it to flex to sustain the freedom of movement and targeted back support provided by the 3D Intelligent suspension back.

### Notes

This knit cannot be applied to the Sayl side chair.  
Stretch knit back cover can be removed in the field with no tools required.

### Specification Information

Step 1.	
<b>AS910</b> <span style="border: 1px solid black; padding: 0 2px;">A</span>	\$135
Step 2. Back Cover Material	
Price Category 1	+\$0

Sayl® Chair, Gaming Edition,  
Suspension Mid-Back,  
Assembled, Contract

AS1SL



**Product Information**

**Description**

This fully-assembled chair has a frameless 3D Intelligent® Suspension back that allows freedom of movement, while providing targeted back support and moving heat away from the body. The suspension is supported by a Y-Tower® and anchored at the bottom by the ArcSpan®. The chair has an upholstered seat with foam padding and passive Posturefit® back support. The synchronous tilt provides continuous balance and lets the body recline naturally, pivoting at the ankles, knees, and hips. The chair has a 5-star base and 2 height-adjustment options.

The tilt mechanism is a tilt limiter with seat angle. The tilt limiter allows the user to set the tilt range to limit the amount of recline. The tilt limiter with seat angle allows the user to set the tilt range and select a 5° forward seat angle.

Adjustable seat depth allows the user to adjust the depth from 16" to 18".

The standard back-support option has no additional support. It has passive Posturefit back support molded directly into the strands of the suspension material, providing targeted support at the base of the back, below the beltline, that helps achieve healthier posture and improved lower back comfort.

Arm choices include a height adjustable option that allows the arms to move 4" vertically; a fully adjustable option that allows the arms to move 4" vertically, 1 3/8" horizontally, 2" front-to-back, with armpads that pivot 11° inward and 11° outward; fixed arms; and no arms.

**Notes**

Arm and tilt cover finishes and Y-Tower finish are black.

Arms can be removed in the field with no tools required.

For information on casters and glides, see Casters and Glides in Appendices.

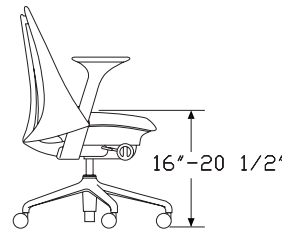
Customer's Own Material (COM) requires 3/4 yard. Customer's Own Leather (COL) requires 8 square feet. See Order Information in appendices.

MicrobeCare™ is an antimicrobial coating that can be applied to a wide variety of Herman Miller Group surfaces to protect products from mold, mildew, algae, and bacteria that cause deterioration, discoloration, odors, and stains.

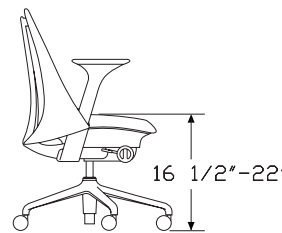
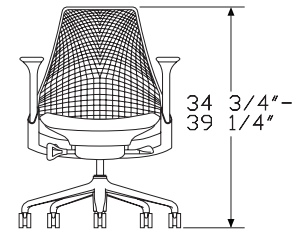
MicrobeCare™ is a US Environmental Protection Agency (EPA) registered nonpublic health antimicrobial.

MicrobeCare™ is applied to the major touchpoints, including the seat, backrest, arms, armrests, frame and adjustment controls.

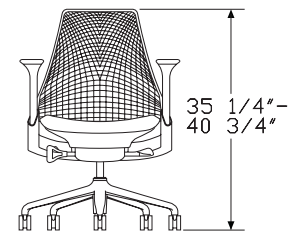
**Dimensions**



Standard-Height Range



High-Height Range



Sayl® Gaming Chairs

Sayl® Chair, Gaming Edition,  
Suspension Mid-Back,  
Assembled, Contract *continued*

Sayl® Gaming Chairs

**Specification Information**

Step 1.

**AS1SL**

Step 2. Height Adjustment

<b>2</b>	standard-height range	+\$905
<b>3</b>	high-height range	+\$963

Step 3. Tilt

<b>3</b>	tilt limiter and seat angle	+\$51
----------	-----------------------------	-------

Step 4. Arms

<b>N</b>	no arms	+\$0
<b>P</b>	fixed arms	+\$102
<b>H</b>	height-adjustable arms	+\$173
<b>A</b>	fully adjustable arms	+\$241

Step 5. Seat-Depth Adjustment

<b>A</b>	adjustable seat depth	+\$88
----------	-----------------------	-------

Step 6. Back Support Option

<b>N2</b>	no additional support	+\$0
-----------	-----------------------	------

Step 7. Base/Y-Tower® Finish

<b>BK</b>	black	+\$0
-----------	-------	------

Step 8. Casters

<b>C7</b>	2½" caster, black yoke, hard floors or carpet	+\$50
<b>BB</b>	2½" hard caster, black yoke, carpet only	+\$0

Step 9. Back Suspension Finish

<b>98</b>	studio white	+\$40
<b>BK</b>	black	+\$0
<b>INS</b>	interstellar	+\$40
<b>NEN</b>	neon	+\$40
<b>ODP</b>	ocean deep	+\$40
<b>RO</b>	red	+\$40

Step 10. Adjustment Controls Finish

*For studio white (98)*

<b>98</b>	studio white	+\$0
<b>RO</b>	red	+\$0

*For black (BK)*

<b>BK</b>	black	+\$0
<b>RO</b>	red	+\$0

*For interstellar (INS)*

<b>BK</b>	black	+\$0
<b>INS</b>	interstellar	+\$0

*For neon (NEN)*

<b>BK</b>	black	+\$0
<b>NEN</b>	neon	+\$0

*For ocean deep (ODP)*

<b>BK</b>	black	+\$0
<b>ODP</b>	ocean deep	+\$0

*For red (RO)*

<b>BK</b>	black	+\$0
<b>RO</b>	red	+\$0

Step 11. Armpad Finish

<b>BK</b>	black	+\$0
-----------	-------	------

Step 12. Seat Fabric

Price Category 4	+\$43
------------------	-------

## Index by Product Name

<b>Sayl® Chairs</b>	
Arm Kit	page(s) 57
Lumbar Kit	56
Sayl® Back Cover Kit	58
Sayl® Chair, Gaming Edition, Suspension Mid-Back, Assembled,	
Contract	59
Side Chair, 4-Leg Base	51
Side Chair, 4-Leg Base, Value Package	50
Side Chair, Sled Base	54
Side Chair, Sled Base, Value Package	53
Work Chair, Suspension Mid-Back, Assembled	11
Work Chair, Suspension Mid-Back, Stretch Knit Back Cover, Value	
Package	7
Work Chair, Suspension Mid-Back, Value Package, Assembled	5
Work Chair, Suspension Mid-Back with Stretch Knit Back Cover,	
Assembled	14
Work Chair, Suspension Mid-Back with Stretch Knit Back Cover, Ready	
to Assemble	17
Work Chair, Suspension Mid-Back with Stretch Knit Back Cover, Value	
Package, RTA	9
Work Chair, Upholstered High-Back, Assembled	27
Work Chair, Upholstered High-Back, Value Package, Assembled	25
Work Chair, Upholstered Mid-Back, Assembled	22
Work Chair, Upholstered Mid-Back, Value Package, Assembled	20
Work Stool, Suspension Mid-Back, Assembled	34
Work Stool, Suspension Mid-Back, Stretch Knit Back Cover, Value	
Package	32
Work Stool, Suspension Mid-Back, Value Package, Assembled	30
Work Stool, Suspension Mid-Back with Stretch Knit Back Cover,	
Assembled	37
Work Stool, Upholstered High-Back, Assembled	47
Work Stool, Upholstered High-Back, Value Package, Assembled	45
Work Stool, Upholstered Mid-Back, Assembled	42
Work Stool, Upholstered Mid-Back, Value Package, Assembled	40



## Index by Product Number

AS1SA	Work Chair, Suspension Mid-Back, Assembled	page(s) 11
AS1SB	Work Chair, Suspension Mid-Back with Stretch Knit Back Cover, Assembled	14
AS1SC	Work Chair, Upholstered Mid-Back, Assembled	22
AS1SD	Work Chair, Upholstered High-Back, Assembled	27
AS1SL	Sayl® Chair, Gaming Edition, Suspension Mid-Back, Assembled, Contract	59
AS1VA	Work Chair, Suspension Mid-Back, Value Package, Assembled	5
AS1VB	Work Chair, Suspension Mid-Back, Stretch Knit Back Cover, Value Package	7
AS1VC	Work Chair, Upholstered Mid-Back, Value Package, Assembled	20
AS1VD	Work Chair, Upholstered High-Back, Value Package, Assembled	25
AS2SB	Work Chair, Suspension Mid-Back with Stretch Knit Back Cover, Ready to Assemble	17
AS2VB	Work Chair, Suspension Mid-Back with Stretch Knit Back Cover, Value Package, RTA	9
AS4SS	Side Chair, 4-Leg Base	51
AS4SU		
AS4VS	Side Chair, 4-Leg Base, Value Package	50
AS4VU		
AS5SS	Side Chair, Sled Base	54
AS5SU		
AS5VS	Side Chair, Sled Base, Value Package	53
AS5VU		
AS7SA	Work Stool, Suspension Mid-Back, Assembled	34
AS7SB	Work Stool, Suspension Mid-Back with Stretch Knit Back Cover, Assembled	37
AS7SC	Work Stool, Upholstered Mid-Back, Assembled	42
AS7SD	Work Stool, Upholstered High-Back, Assembled	47
AS7VA	Work Stool, Suspension Mid-Back, Value Package, Assembled	30
AS7VB	Work Stool, Suspension Mid-Back, Stretch Knit Back Cover, Value Package	32
AS7VC	Work Stool, Upholstered Mid-Back, Value Package, Assembled	40
AS7VD	Work Stool, Upholstered High-Back, Value Package, Assembled	45
AS900	Arm Kit	57
AS905	Lumbar Kit	56
AS910	Sayl® Back Cover Kit	58







# 20-Day or Less/Assigned Lead-Time Order Information

## 20-Day or Less and Assigned Lead-Time Programs

20-day or less and assigned lead-time products are designed for established Herman Miller dealers with pre-approved credit.

Products are distributed from multiple manufacturing facilities across the United States. All products and options not designated by an Assigned Lead-Time icon  will ship in 20 business days or less after being acknowledged by Herman Miller. Products and options designated by an  are on the assigned lead-time program and will ship in 20 days, less than 20 days, or more than 20 days from order acknowledgement.

## Ordering Procedure

Please place orders through Order Manager. If this is not available to you, place orders through mail or fax. Verbal purchase orders will not be accepted.

Order Entry fax number for Meridian®

Filing and Storage: (616) 846 9236.

Order Entry fax number for all other products:

(616) 654 3085.

For more information, contact your Customer Care representative at:  
(866) 854 3048 ext 3400.

## Shipments and Delivery

Per Herman Miller Terms and Conditions.

## Changes and Cancellation

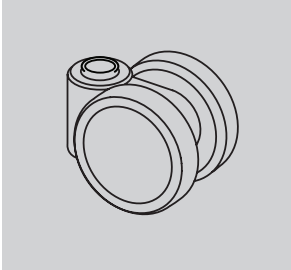
Per Herman Miller Terms and Conditions.



# Casters and Glides

▲	<b>WARNING</b>	▲
Depending on the floor surface, chair may unexpectedly roll away from user when entering or exiting the chair, possibly leading to unexpected injury. Please refer to descriptions of floor types when selecting casters.		

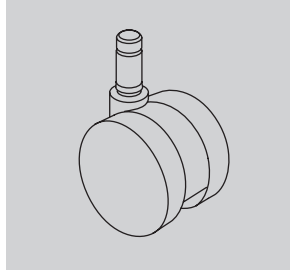
## 32 Caster



1<sup>7</sup>/<sub>8</sub>-inch-diameter hard double-wheel caster; black nylon wheels and yoke; for use on carpet only

Applicable on:  
Keyn Chairs  
Sayl® Chairs

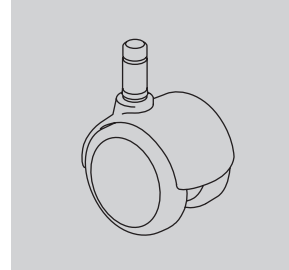
## BB Caster



2<sup>1</sup>/<sub>2</sub>-inch-diameter hard double-wheel caster; black nylon wheels and yoke; for use on carpet only

Applicable on:  
New Aeron® Chairs  
Caper® Chairs  
Embody® Chairs  
Equa 2® Chairs  
Ergon 3® Chairs  
Lino™ Chairs  
Sayl Chairs  
Mirra® 2 Chairs  
Verus™ Chairs

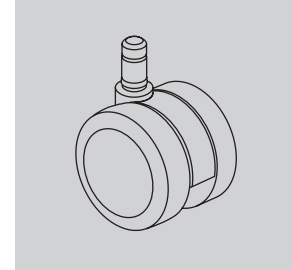
## BSC Caster



2-inch-diameter double-wheel caster; black nylon wheels and hood; soft polyurethane tread; for use on hard floors or carpet

Applicable on:  
Eames® Aluminum Group  
Eames Executive Chairs  
Eames Soft Pad Group  
Eames Task Chairs

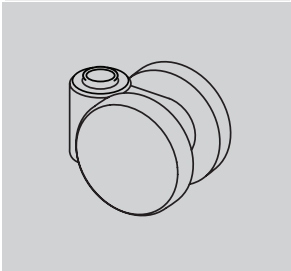
## C9 Caster



2<sup>1</sup>/<sub>2</sub>-inch-diameter double-wheel caster; black nylon wheels and yoke; soft polyurethane tread; internal brake; for use on hard floors or carpet

Applicable on:  
Caper Chairs  
Embody Chairs  
Equa 2 Chairs  
Ergon 3 Chairs  
Keyn Chairs  
Lino Chairs  
Mirra 2 Chairs  
Sayl Chairs  
Setu® Chairs  
Verus Chairs

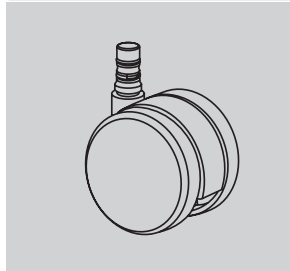
## 49 Caster



1<sup>7</sup>/<sub>8</sub>-inch-diameter soft double-wheel caster; black nylon wheels and yoke; for use on hard floors or carpet

Applicable on:  
Keyn Chairs  
Sayl Chairs

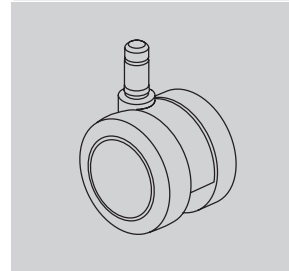
## BKS Caster



2<sup>1</sup>/<sub>2</sub>-inch-diameter hard double-wheel caster; black yoke; quiet roll technology; for use on carpet only

Applicable on:  
Cosm™ Chairs

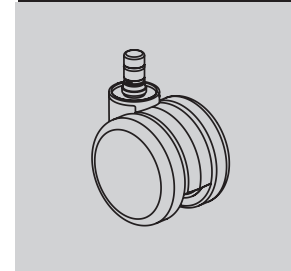
## C7 Caster



2<sup>1</sup>/<sub>2</sub>-inch-diameter double-wheel caster; black nylon wheels and yoke; soft polyurethane tread; for use on hard floors or carpet

Applicable on:  
New Aeron Chairs  
Caper Chairs  
Embody Chairs  
Equa 2 Chairs  
Ergon 3 Chairs  
Lino Chairs  
Mirra 2 Chairs  
Sayl Chairs  
Verus Chairs

## CSQ Caster



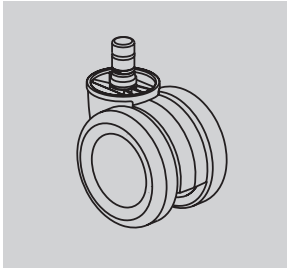
2<sup>1</sup>/<sub>2</sub>-inch-diameter double-wheel caster; color-matched nylon wheels and yoke; soft polyurethane tread; for use on hard floors or carpet

Applicable on:  
Zeph™ Chairs

# Casters and Glides

continued

**DC1 Caster**

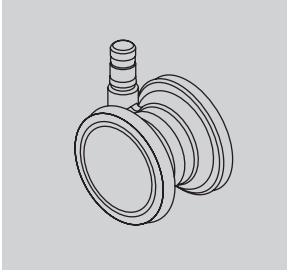


2<sup>1</sup>/<sub>2</sub>-inch-diameter double-wheel braking caster; black nylon wheels and yoke; for use on hard floors or carpet; quiet roll technology

Applicable on:

New Aeron Chairs

**H9 Caster**

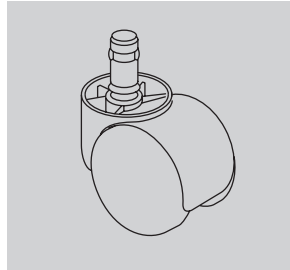


2<sup>1</sup>/<sub>2</sub>-inch-diameter double-wheel caster; clear polycarbonate wheels; nylon yoke; soft polyurethane tread; for use on carpet only

Applicable on:

Embody Chairs  
Keyn Chairs

**HW Caster**

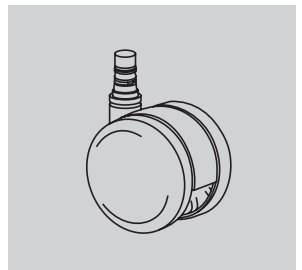


2-inch-diameter double-wheel caster; black nylon wheels and hood; for use on carpet only

Applicable on:

Limerick® Cart

**O2 Caster**

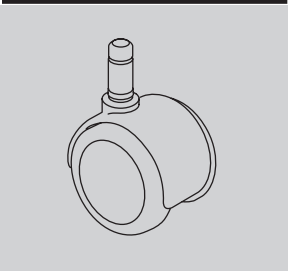


2<sup>1</sup>/<sub>2</sub>-inch-diameter double-wheel caster; nylon wheels and yoke; soft polyurethane tread; quiet roll technology; for use on hard floors or carpet

Applicable on:

Cosm Chairs

**DS Caster**

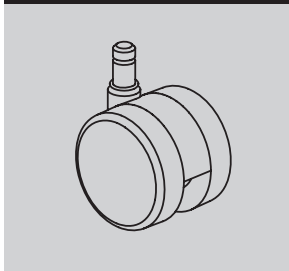


2-inch-diameter soft double-wheel braking caster; black nylon wheels and hood; for use on hard floors only

Applicable on:

Aside® Chairs  
Caper Chairs

**HCC Caster**

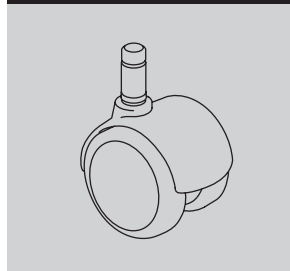


2<sup>1</sup>/<sub>2</sub>-inch-diameter double-wheel low roll resistance caster; black yoke; for use on hard floors or carpet

Applicable on:

Keyn Chairs  
Setu Chairs

**MD Caster**



2-inch-diameter double-wheel caster; black nylon wheels with integral chrome hood; soft polyurethane tread; for use on hard floors or carpet

Applicable on:

Eames® Aluminum Group  
Eames Executive Chairs  
Eames Soft Pad Group  
Eames Task Chairs

**OC Caster**



2<sup>1</sup>/<sub>2</sub>-inch-diameter double-wheel medium roll-resistant caster; black nylon wheels and yoke; soft polyurethane tread; for use on hard floors or carpet; quiet roll technology

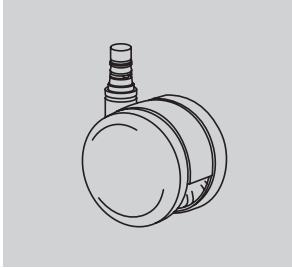
Applicable on:

Cosm Chairs  
Keyn Chairs  
Setu Chairs

# Casters and Glides

continued

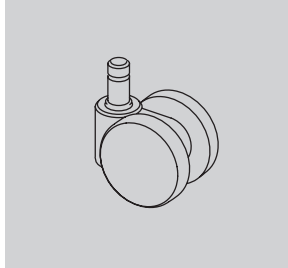
**SC8 Caster**



2<sup>1</sup>/<sub>2</sub>-inch-diameter double-wheel caster; black nylon wheels and yoke; soft polyurethane tread; quiet roll technology; for use on hard floors or carpet

Applicable on:  
Cosm Chairs  
Lino Chairs  
Mirra 2 Chairs  
Verus Chairs

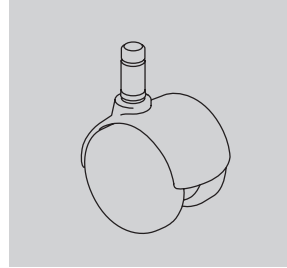
**U4 Caster**



1<sup>7</sup>/<sub>8</sub>-inch-diameter hard double-wheel caster; black nylon wheels and yoke; for use on carpet only

Applicable on:  
Aside Chairs  
Verus Chairs

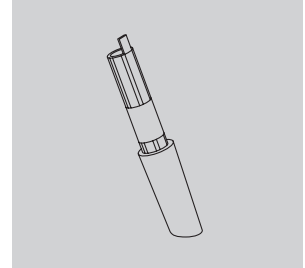
**UD Caster**



2-inch-diameter hard double-wheel caster; black nylon wheels with painted hood; for use on carpet only

Applicable on:  
Eames® Aluminum Group  
Eames Executive Chairs  
Eames Soft Pad Group  
Eames Task Chairs

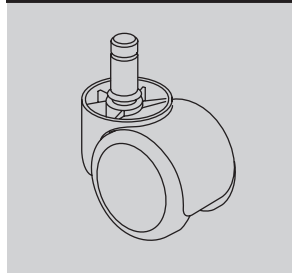
**16 Glide**



(Front glide shown)  
2<sup>1</sup>/<sub>8</sub>-inch-high glide; black or fog acetal; for use on carpet only

Applicable on:  
Sayl Chairs

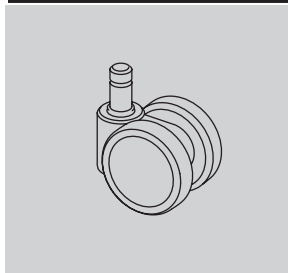
**SW Caster**



2-inch-diameter soft double-wheel caster; black nylon wheels and hood; for use on hard floors only

Applicable on:  
Limerick Cart

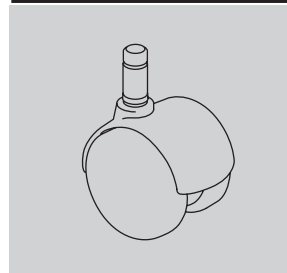
**U5 Caster**



1<sup>7</sup>/<sub>8</sub>-inch-diameter soft double-wheel caster; black nylon wheels and yoke; for use on hard floors or carpet

Applicable on:  
Aside Chairs  
Caper Chairs  
Verus Chairs

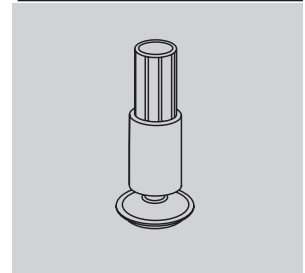
**VD Caster**



2-inch-diameter hard double-wheel caster; black nylon wheels with integral chrome hood; for use on carpet only

Applicable on:  
Eames Aluminum Group  
Eames Executive Chairs  
Eames Soft Pad Group  
Eames Task Chairs

**69 Glide**



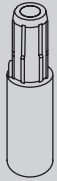
(Front glide shown)  
2<sup>1</sup>/<sub>8</sub>-inch-high glide; black glass-filled nylon stem; steel-plated swivel foot with Floor Saver Glide™ insert; for use on hard floors only

Applicable on:  
Sayl Chairs

# Casters and Glides

continued

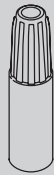
**AGL Glide**



2<sup>1</sup>/<sub>4</sub>-inch-high glide; black or white nylon stem; for use on carpet only

Applicable on:  
Keyn Chairs

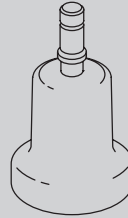
**G4 Glide**



1<sup>7</sup>/<sub>8</sub>-inch-high glide; black acetal; for use on carpet only

Applicable on:  
Verus Chairs

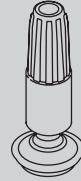
**GF Glide**



2<sup>1</sup>/<sub>2</sub>-inch-high glide; black nylon; for use on hard floors or carpet

Applicable on:  
New Aeron Chairs  
Caper Chairs  
Cosm Chairs  
Equa 2 Chairs  
Ergon 3 Chairs  
Lino Chairs  
Mirra 2 Chairs  
Sayl Chairs  
Verus Chairs

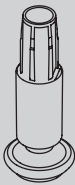
**GL Glide**



1<sup>7</sup>/<sub>8</sub>-inch-high glide; black nylon stem; steel-plated swivel foot with Floor Saver Glide™ insert; for use on hard floors only

Applicable on:  
Verus chairs

**FSG Glide**



2<sup>1</sup>/<sub>4</sub>-inch-high glide; black or white nylon stem; steel-plated swivel foot with Floor Saver Glide™ insert; for use on hard floors only

Applicable on:  
Keyn Chairs

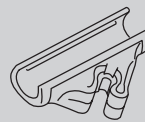
**GD Glide**



1<sup>1</sup>/<sub>2</sub>-inch-diameter glide; 1/2 inch in height; black nylon; for use on hard floors or carpet

Applicable on:  
Eames Aluminum Group  
Eames Executive Chairs  
Eames Soft Pad Group  
Eames Task Chairs

**GG Glide**



1/2-inch-high ganging glide; clear polycarbonate; for use on hard floors or carpet

Applicable on:  
Limerick Chairs  
Pronta Stacking Chairs

**HG Glide**

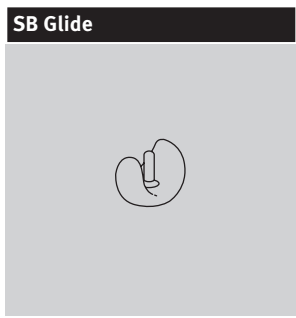


1/2-inch-high glide; black nylon glide with stainless-steel insert; for use on hard floors or carpet

Applicable on:  
Aside Chairs

# Casters and Glides

continued



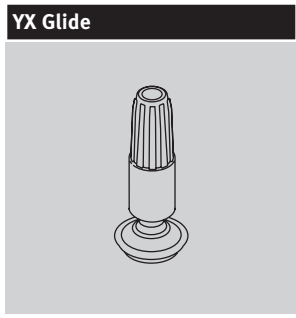
**SB Glide**  
1/4-inch-high, 1-inch diameter glide; thermoplastic CAP material (G1 base has black glides; XT base has clear glides); for use on hard floors or carpet  
Applicable on:  
Equa 2 Chairs



**SG Glide (for Limerick)**  
1/2-inch-high glide; clear polycarbonate; for use on hard floors or carpet  
Applicable on:  
Limerick Chairs  
Pronta Stacking Chairs



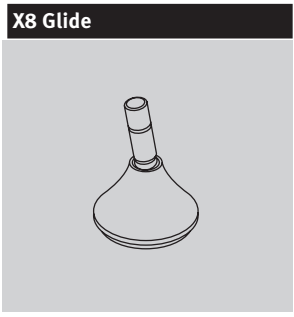
**XS Glide**  
1/8-inch-high glide; polycarbonate in black, fog, clear, and studio white finishes; for use on hard floors or carpet  
Applicable on:  
Sayl Chairs



**YX Glide**  
1 7/8-inch-high glide; black nylon stem; steel-plated swivel foot with Floor Saver Glide™ insert; for use on hard floors only  
Applicable on:  
Caper Chairs



**SG Glide (for Aside)**  
1/2-inch-high glide; black nylon; for use on carpet only  
Applicable on:  
Aside Chairs



**X8 Glide**  
Glide; low profile; for use on hard floors or carpet  
Applicable on:  
Setu Chairs



**Y7 Glide**  
1 7/8-inch-high glide; black acetal; for use on carpet only  
Applicable on:  
Caper Chairs





# Fire Retardancy — Seating

## Fire Retardancy

Fire-retardant chairs manufactured in approved fabrics (FR) meet California TB 133 requirements.

All foam and textiles on HermanMiller seating products comply with California TB 117-2013.

State of California  
Bureau of Home Furnishings,  
Technical Bulletin 133

State of California  
Bureau of Home Furnishings,  
Technical Bulletin 117-2013

8Z Pellicle		•
Ace		•
AireWeave™ 2		•
Aristo		•
Balance		•
Bento		•
Bingo		•
Crepe		•
Crossing		•
Cygnus™	FR	•
Dex		•
Dialogue		•
Duo		•
Epic		•
Fish Net		•
Flexnet™	FR	•
Gem		•
Hopsak		•
Intercept		•
InterWeave		•
Latitude™		•
Leather		•
Loom		•
Lyris 2™		•
Marvel		•
Medley		•
Mercer		•
Moiré		•
Monologue		•
Noble		•
Pins and Needles		•
Plateau		•
Quilty		•
Rhythm		•
Rivet		•
Sequel		•
Spools		•
Stitches		•
Strata		•
String Plaid		•
Tailored		•
Twist		•
Well Suited		•
Whisper		•

• Fabric meets California TB 117-2013 code requirements.

FR To meet California TB 133 code requirements, fabrics must be applied to approved chairs identified with FR product numbers.



# Proprietary Textiles Application Chart — Seating

• Available

[A] Assigned lead-time textile.

[N] Non-woven textile.

See following page for exception notes.

## Price Category 1

Material	Aeron® Chairs	Cosm™ Chairs	Mirra® 2 Chairs/Stools	Embody® Chairs	Sayl® Work Chairs/Stools	Sayl Side Chairs	Setu® Chairs/Stools	Setu Lounge Chair/Ottoman	Zeph™ Chairs	Verus™ Work Chairs/Stools Back	Verus Work Chairs/Stools Seat	Verus Side Chairs Back	Verus Side Chairs Seat	Verus Plus Chairs	Aside® Chairs	Caper® Chairs/Stools	Keyn Chair Group Back	Keyn Chair Group Seat	Lino™ Chairs Back	Lino Chairs Seat	OE1 Storage Trolley Cushion Top	Public Office Landscape® Back	Public Office Landscape Seat	Plex® Lounge Furniture	Swoop™ Lounge Seating - Fully Upholstered	Swoop Lounge Seating - Plywood	Valor™ Seating	Nemschoff® Whisk™ Chairs	Eames® Tandem Sling Seating	Cushion Tops	Workspaces
COM Customer's Own Material [A]					1	1				1	1	1	1	1	1			1		1	1			1	1	1		1	1	1	1
231__ 8Z Pellicle®	•																														
1A7__ AireWeave™ 2			•																												
8T__ Crossing							•	•							•			•				•			•	•				•	•
3DE__ Dex					•	•	•			•	•	•	•	•	•			•				•		19	•	•		•		•	•
4RM__ Duo																			•												
6V__ Flexnet™																•															
95__ Gem							•	•							•							•			•	•				•	•
845__ Intercept			•																												
365__ Interweave 2										•		•																			
4W__ Lyris 2™							•	•																							
1MN__ Monologue					24	22	•	•		•	•	•	•				•	•		•	•	•	•	•	•	•	•	•	•	•	•
4SC__ Scatter					•	•	•			•	•	•	•	•	•		•	•		•	•	•	•	•	•	•	•	•	•	•	•
5H1__ Splash 3D Knit									•																						
3DK__ Stretch Knit [A]					21																										
235__ Tailored					•	•	•			•	•	•	•	•	•		•	•		•	•		•	23	•	•		•		7	•
1WS__ Whisper					24	•	•	•		•	•	•	•	•	•		•	•		•	•		•	•	•	•	•	•	•	•	•

## Price Category 2

3AR__ Aristo					•	•	•	•		•	•	•	•	•	•		•	•		•	•	•	•	•	•	•	•	•	•	•	•
92__ Crepe					•	•	•	•		•	•	•	•	•	•		•	•		•	•	•	•	•	•	•	•	•	•	•	•
3EP__ Epic					•	•				•	•	•	•	•	•		•	•		•	•	•	•	•	•	•	•	•	•	•	•
1LM__ Loom					•	•				•	•	•	•	•	•		•	•		•	•	•	•	•	•	•	•	•	•	•	•
1MV__ Marvel [N]					21	22	•			•	•	•	•	•	•		•	•		•	•	•	•	•	•	•	•	•	•	•	•
1HA__ Medley					•	•	22			•	•	•	•	•	•		•	•		•	•	•	•	•	•	•	•	•	•	•	•
4ME__ Mellow					•	22	•	•		•	•	•	•	•	•		•	•		•	•	•	•	•	•	•	•	•	•	•	•
30__ Rhythm					23	•	•			•	•	•	•	•	•		•	•		•	•	•	•	•	•	•	•	•	•	•	•
1RV__ Rivet					21	22				•	•	•	•	•	•		•	•		•	•	•	•	•	•	•	•	•	•	•	•
3SL__ Sequel [N]					•	•	•	•		•	•	•	•	•	•	8	•	•		•	•	•	•	•	•	•	•	•	•	•	•
4TE__ Terra					•	22				•	•	•	•	•	•		•	•		•	•	•	•	•	•	•	•	•	•	•	•
8R__ Twist					•	•	•	•		•	•	•	•	•	•		•	•		•	•	•	•	•	•	•	•	•	•	•	•

## Price Category 3

3AC__ Ace					21	•				•	•	•	•	•	8	•	•		•	•	•	•	•	19		•			•		
4LN__ Landing [N]																															
8M__ Latitude™					23	•	•																								
22V__ String Plaid					•	•				•	•	•	•	•	•		•	•		•	•	•	•	•	•	•	•	•	•	•	•

## Price Category 4

3DM__ Daydream					21	•	•	•		•		•	•	•		•	•		•	•	•	•	•	•	•	•	•	•	•	•	•
1DL__ Dialogue																															
213__ Mercer					21	22				•	•	•	•	•		•	•		•	•	•	•	•	•	•	•	•	•	•	•	•
1A9__ Network																							•								
6S__ Quilty					•	•				•	•	•	•	•	•		•	•		•	•	•	•	•	•	•	•	•	•	•	•
22P__ Strata					•	•	•			•	•	•	•	•	•		•	•		•	•	•	•	•	•	•	•	•	•	•	•
3SY__ Sync					•	•	•	•		•	•	•	•	•	•		•	•		•	•	•	•	•	•	•	•	•	•	•	•

continued on next page

# Proprietary Textiles Application Chart — Seating continued

• Available

[A] Assigned lead-time textile.

[N] Non-woven textile.

See below for exception notes.

	Aeron® Chairs	Cosm™ Chairs	Mirra® 2 Chairs/Stools	Embody® Chairs	Sayl® Work Chairs/Stools	Sayl Side Chairs	Setu® Chairs/Stools	Setu Lounge Chair/Ottoman	Zeph™ Chairs	Verus™ Work Chairs/Stools Back	Verus Work Chairs/Stools Seat	Verus Side Chairs Back	Verus Side Chairs Seat	Verus Plus Chairs	Aside® Chairs	Caper® Chairs/Stools	Keyn Chair Group Back	Keyn Chair Group Seat	Lino™ Chairs Back	Lino Chairs Seat	OE1 Storage Trolley Cushion Top	Public Office Landscape® Back	Public Office Landscape Seat	Plex® Lounge Furniture	Swoop™ Lounge Seating - Fully Upholstered	Swoop Lounge Seating - Plywood	Valor™ Seating	Nemschoff® Whisk™ Chairs	Eames® Tandem Sling Seating	Cushion Tops	Workspaces		
<b>Price Category 5</b>																																	
3CY__Cozy					•	•	•	•		•	•	•	•	•	•		•	•		•				•	•	•	•	•			•		•
14A__Hopsak					•	•	•	•		•	•	•	•	•	•		•	•		•	•			•	•	•	•	•			•		•
3SU__Summit [N]					•	•				•	•	•	•	•						•				•	•	•	•	•			•		•
<b>Price Category 6</b>																																	
35__Balance				•																													
<b>Price Category 7</b>																																	
COL Customer's Own Leather [A]	1														8						1											1	
<b>Price Category 8</b>																																	
No fabrics available at this time																																	
<b>Price Category 9</b>																																	
21__Leather [N]	23													8						•	•					•					•		•

Application Note: Herman Miller cannot guarantee material/pattern alignment in adjacent products. For example, a fabric's pattern may not align from one pedestal cushion top to the next, or from one chair to another.

- 1 Refer to price book appendices and Omni for COM/COL information.
- 7 Available on 1" Cushion Tops only.
- 8 Only available on the Aside nonupholstered outer back option (PB).
- 9 Available on Valor upholstered seat only.
- 19 Available on Plex seat only.
- 21 Not available on Sayl upholstered back work chairs.
- 22 Not available on Sayl side chairs with upholstered backs.
- 23 Available in select colors. Refer to "Proprietary Textile Colors-Seating" for color offering.
- 24 Not available on Sayl upholstered High-Back Work Chairs.
- 25 Not available on Sayl side chairs with upholstered backs. Available in select colors. Refer to "Proprietary Textile Colors-Seating" for color offering.

# Proprietary Textile Colors — Seating

## Price Category 1

### Customer's Own Material

See Order Information in Appendices.  
Assigned lead-time textile. A

### 8Z Pellicle®

For New Aeron® Chairs  
56% elastomeric  
44% polyester

23101 Mineral  
23102 Carbon  
23103 Graphite

### AireWeave™ 2

For Mirra® 2 Chairs  
67% elastomeric  
33% antimony-free polyester

1A701 Alpine  
1A702 Slate Grey  
1A703 Graphite  
1A704 Lime Green  
1A705 Cappuccino  
1A706 Urban Orange  
1A707 Dark Turquoise  
1A708 Twilight

### Crossing

54" wide  
86% antimony-free polyester  
14% polyester

8T03 Wicker  
8T04 Porcelain  
8T05 Warm Grey  
8T10 Tomato  
8T13 Green Apple  
8T16 Periwinkle  
8T17 Cerulean  
8T18 Indigo  
8T19 Shale  
8T22 Tin  
8T23 Graphite  
8T24 Black

### Dex

54" wide  
50% recycled polyester  
50% polyester

3DE01 Frost  
3DE02 Silver Pine  
3DE03 Stone  
3DE04 Shale  
3DE05 Charcoal

### Duo

For Lino™ Chairs  
52% polyester  
48% elastomeric

4RM01 Mineral  
4RM02 Poppy  
4RM03 Green Leaf  
4RM04 Jade  
4RM05 Shadow  
4RM06 Graphite

### Flexnet™

For Caper® Chairs  
69% elastomeric  
31% polyester

6V01 Black  
6V02 Silver Grey

### Gem

54" wide  
100% antimony-free polyester

9502 Tangerine  
9503 Red  
9507 Twilight  
9508 Bayou  
9510 Berry Blue  
9511 Aqua Green  
9512 Green Apple  
9514 Black  
9515 Slate Grey  
9516 Fog

### Intercept

For Cosm™ Chairs  
60% elastomeric  
40% polyester

84501 Graphite  
84502 Carbon  
84503 Mineral  
84504 Nightfall  
84505 Glacier  
84506 Canyon

### Interweave 2

For Verus™ Chairs  
65% elastomeric  
35% polyester

36501 Iceberg  
36502 Poppy  
36503 Beachglass  
36504 Blue Grotto  
36505 Slate  
36506 Shale

### Lyris 2™

For Setu® Chairs  
74% elastomeric  
26% polyester

4W21 Alpine  
4W22 Mango  
4W23 Chartreuse  
4W25 Berry Blue  
4W26 Slate Grey  
4W28 Chino  
4W29 Rattan  
4W30 Java  
4W31 Graphite

### Monologue

54" wide  
56% recycled polyester  
44% polyester

1MN01 Linen  
1MN02 Alabaster  
1MN03 Truffle  
1MN04 Folkstone  
1MN05 Silver Pine  
1MN06 Slate  
1MN07 Seed  
1MN08 Yellow Oxide  
1MN09 Persimmon  
1MN10 Tundra  
1MN11 Meadow  
1MN12 Blue Sky  
1MN13 Blue Spruce  
1MN14 Deep Sea

### Scatter

54" wide  
100% recycled polyester,  
with 26% ocean bound plastic

4SC01 Alpine  
4SC02 Fog  
4SC03 Shale  
4SC04 Persimmon  
4SC05 Red Violet  
4SC06 Lime Zest  
4SC07 Olive  
4SC08 Glacier  
4SC09 Blue Sky  
4SC10 Lagoon  
4SC11 Slate Grey  
4SC12 Blue Black

Price category 1 continued on next page

# Proprietary Textile Colors — Seating

continued

## Price Category 1

continued

Appendix: Proprietary Textile Colors — Seating

### Splash 3D Knit

Available only on Zeph™ Chairs.  
knit to size  
54% post-consumer recycled polyester  
44% polyester  
2% lycra

5H101	Black
5H102	Carbon
5H103	Alpine
5H104	Silt
5H105	Tea Rose
5H106	Cocoa
5H107	Persimmon
5H108	Blaze
5H109	Cayenne
5H110	Falcon
5H111	Mustard Seed
5H112	Patina
5H113	Olive
5H114	Moss
5H115	Aloe
5H116	Glacier
5H117	Ultramarine
5H118	Nightfall
5H119	Bluebell
5H120	Boysenberry

### Stretch Knit

Assigned lead-time textile. A

Available only on Sayl®  
Suspension Back Work Chairs  
97% polyester, 3% spandex

3DK01	Fog
3DK02	Slate Grey
3DK03	Java
3DK04	Black
3DK05	Red
3DK06	Green Apple
3DK07	Berry Blue

### Tailored

54" wide  
56% polyester  
44% recycled polyester

23501	Studio White *
23502	Sugar *
23503	Tomato
23504	Orchid
23505	Boysenberry
23506	Chive
23507	Bluegrass
23508	Cobalt
23509	Cadet
23510	Fog
23511	Graphite
23512	Black
23513	Coffee

\* Colors not available on  
Plex™ Lounge Furniture.

### Whisper

54" wide  
73% recycled polyester  
27% polyester  
with 11.3% ocean bound plastic

1WS01	Sand Dollar
1WS02	Pebble
1WS03	Silver Birch
1WS04	Iceberg
1WS05	Silver Pine
1WS06	Carbon
1WS07	Cumin
1WS08	Adobe
1WS09	Strawberry
1WS10	Blush
1WS11	Eggplant
1WS12	Willow
1WS13	Sea Grass
1WS14	Pool
1WS15	Blueberry
1WS16	Glacier
1WS17	Grey
1WS18	Canyon

## Price Category 2

### Aristo

54" wide  
88% recycled polyester  
12% polyester  
Acrylic backing

3AR01	Forest Moss
3AR02	Light Brindle
3AR03	Mink
3AR04	Copper
3AR05	Adobe
3AR06	Cherry
3AR07	Lilac
3AR08	Green Apple
3AR09	Surf
3AR10	Waterfall
3AR11	Cadet
3AR12	Tin
3AR13	Pewter
3AR14	Grey Brindle
3AR15	Grey Black

### Crepe

54" wide  
100% recycled polyester,  
with 43.6% ocean bound plastic

9201	Licorice
9203	Smoke
9207	Cherry
9223	Cadet
9241	Beachglass
9249	Stone
9251	Fog
9252	Slate Grey
9261	Shale
9262	Graphite
9265	Mineral
9266	Persimmon
9267	Juniper
9268	Glacier
9269	Cascade
9270	Navy

### Epic

54" wide  
56% recycled polyester  
44% polyester  
Acrylic backing

3EP01	Alabaster
3EP02	Smoke
3EP03	Falcon
3EP04	Citrus Spring
3EP05	Copper
3EP06	Urban Orange
3EP07	Poppy
3EP08	Wild Plum
3EP09	Sugar Plum
3EP10	Clover
3EP11	Loden
3EP12	Everglade
3EP13	Mist
3EP14	Peacock
3EP15	Cadet
3EP16	Indigo
3EP17	Spring Wood
3EP18	Grey Brindle
3EP19	Seed
3EP20	Carbon Dark

### Loom

54" wide  
100% polyester

1LM01	Linen *
1LM02	Brown Sugar and Spice
1LM03	Brick and Mortar
1LM04	Salt and Pepper
1LM05	Black
1LM06	Lemongrass
1LM08	Wild Berry
1LM09	Loden
1LM10	Jade
1LM11	Deep Sea

\* Color not available on  
Valor™ Seating

Price category 2 continued on  
next page

# Proprietary Textile Colors — Seating

continued

## Price Category 2

continued

### Marvel

54" wide	
100% pvc-free polyurethane	
1MV01	Summer White
1MV02	Sand Dollar
1MV03	Espresso
1MV04	Folkstone Grey
1MV05	Graphite
1MV06	Onyx
1MV07	Polar Blue
1MV08	Blush Grey
1MV09	Woodrose
1MV10	Citrus
1MV11	Adobe
1MV12	Red
1MV13	Kiwi Green
1MV14	Pine
1MV15	Teal Green
1MV16	Twilight

### Medley

54" wide	
100% polyester	
1HA01	Stone
1HA02	Trail
1HA03	Charcoal
1HA04	Cinder
1HA05	Citrus
1HA06	Papaya
1HA07	Chutney
1HA08	Tundra
1HA09	Feather Grey
1HA10	Chartreuse
1HA11	Loden
1HA12	Peacock
1HA13	Bayou
1HA14	Blue Grotto
1HA15	Blueberry
1HA22	Khaki
1HA23	Pewter
1HA24	Yellow Oxide
1HA25	Vintage Rose
1HA26	Raspberry
1HA27	Acai Berry

### Mellow

54" wide	
100% recycled polyester, with 16% ocean bound plastic	
4ME01	Mineral
4ME02	Pewter
4ME03	Wisteria
4ME04	Olive
4ME05	Glacier
4ME06	Oceanside
4ME07	Charcoal

### Rhythm

54" wide	
100% polyester	
3001	Kiwi Green *
3002	Green Apple *
3003	Peacock *
3004	Bayou *
3005	Berry Blue
3006	Iris *
3007	Twilight
3008	Pumpkin *
3009	Poppy *
3010	Molasses *
3011	Mulberry *
3012	Khaki *
3013	Mink *
3014	Black
3015	Charcoal

\* Colors not available on Embody® Chair.

### Rivet

54" wide	
100% recycled polyester	
1RV01	Twig
1RV02	Deep Clay
1RV03	Woodrose
1RV04	Otter
1RV05	Hemlock
1RV06	Olive
1RV07	Lagoon
1RV08	Deep Sea
1RV09	Charcoal
1RV10	Grey Brindle

### Sequel

54" wide	
100% vinyl	
100% polyester knit backing	
Resilience® finish	
3SL01	White
3SL02	Pebble
3SL03	Mushroom
3SL04	Stone
3SL05	Chestnut
3SL06	Rattan
3SL07	Black Cherry
3SL08	Tundra
3SL09	Seal
3SL10	Blue Fog
3SL11	Folkstone
3SL12	Shale
3SL13	Slate Grey
3SL14	Charcoal
3SL15	Carbon Dark
3SL28	Navy *

\* Color available on Eames® Tandem Sling Seating.

### Terra

54" wide	
100% post-consumer recycled biodegradable polyester *	
4TE01	Spring Wood
4TE02	Zinc
4TE03	Pine Cone
4TE04	Charcoal

\* 1% biodegradation in 1,278 days under ASTM D5511 conditions. No evidence of further degradation.

### Twist

54" wide	
80% antimony-free polyester	
13% recycled polyester	
7% polyester	
8R05	Wicker
8R10	Poppy
8R14	Tin
8R15	Shale
8R16	Graphite
8R17	Birch
8R18	Sepia
8R22	Blueberry
8R23	Green Apple
8R26	Gunmetal
8R27	Cinder
8R28	Citrus
8R29	Pekoe
8R30	Tangerine
8R31	Red Plum
8R32	Wisteria
8R33	Forest
8R34	Jade Dark
8R35	Waterfall
8R36	Midnight Blue
8R37	Carbon Dark

# Proprietary Textile Colors — Seating

continued

## Price Category 3

Ace	
54" wide	
100% polyurethane	
Polyester knit backing	
Stain resistant finish	
3AC01	Summer White
3AC02	White Ash
3AC03	Rye
3AC04	Metal
3AC05	Clay
3AC06	Chestnut
3AC07	Citrus
3AC08	Camelback
3AC09	Chipotle
3AC10	Claret
3AC11	Slate Purple
3AC12	Artichoke
3AC13	Sepia Dark
3AC14	Aloe
3AC15	Flint
3AC16	Blue Sky
3AC17	Oceanside
3AC18	Midnight
3AC19	Spring Wood
3AC20	Frost
3AC21	Lead
3AC22	Black
Landing	
For Eames® Tandem Sling Seating	
54" wide	
100% TPE	
Polyester knit backing	
4LN01	Black

Latitude™	
61" wide	
100% polyester	
8M01	Graphite
8M02	Shadow
8M10	Alpine
8M17	Black
8M21	Slate Grey
8M22	Lime Green
8M23	French Press
8M24	Urban Orange
8M25	Dark Turquoise
8M26	Twilight

Latitude	
Colors for Mirra 2 Chairs	
100% polyester	
8M10	Alpine
8M17	Black
8M21	Slate Grey
8M22	Lime Green
8M23	French Press
8M24	Urban Orange
8M25	Dark Turquoise
8M26	Twilight

String Plaid	
54" wide	
100% recycled polyester	
22V01	Warm White on Khaki
22V02	Mint on Yellow Green
22V03	Mist on Blue Grey
22V04	Sky Blue on Red
22V05	Lime on Magenta
22V06	Bright Green on Green
22V07	Aqua Blue on Cerulean
22V08	Ivory on Black

## Price Category 4

Daydream	
54" wide	
48% wool	
41% recycled polyester	
9% nylon	
2% polyester	
3DM01	Rye Grass
3DM02	Silver Birch
3DM03	Pewter
3DM04	Graphite
3DM05	Black
3DM06	Lemongrass
3DM07	Permission
3DM08	Juniper
3DM09	Sea Grass
3DM10	Nightfall

Dialogue	
For Public Office Landscape®	
Sectional Back/Social Chair Back	
knit to size	
100% polyester	
1DL01	Light Brindle
1DL02	Dark Brindle

Mercer	
54" wide	
50% solution dyed recycled nylon	
50% solution dyed nylon	
BLOCKaide	
21301	Stone
21303	Cayenne
21305	Pesto
21306	Teal Blue
21307	Ultramarine
21310	Charcoal

Network	
For Public Office Landscape®	
Sectional Back/Social Chair Back	
knit to size	
100% polyester	
1A901	Warm White
1A902	Fog
1A903	Red
1A904	Wildberry
1A905	Green Apple
1A906	Twilight
1A907	Graphite

Quilty	
56" wide	
100% antimony-free polyester	
GreenShield	
6S03	Khaki
6S04	Straw
6S07	Brick
6S10	Mink
6S11	Green Apple
6S13	Indigo
6S14	Zinc
6S15	Slate
6S16	Beachwood
6S17	Paprika
6S18	Plum
6S19	Juniper
6S20	Grey Black

Price category 4 continued on next page



# Proprietary Textile Colors — Seating

continued

## Price Category 4

continued

Strata	
54" wide	
50% solution dyed recycled nylon	
50% solution dyed nylon	
BLOCKaide	
22P04	Pesto
22P05	Peacock
22P06	Blue Jay
22P07	Blueberry
22P09	Mango
22P10	Paprika
22P12	Wheat
22P13	Brownstone
22P14	Bayou

Sync	
55" wide	
100% polyester	
3SY01	Pine Cone
3SY02	Citron
3SY03	Canyon
3SY04	Truffle
3SY05	Wild Berry
3SY06	Everglade
3SY07	Glacier
3SY08	Nightfall
3SY09	Dark Mineral
3SY10	Slate Grey
3SY11	Dark Carbon
3SY12	Black

## Price Category 5

Cozy	
54" wide	
100% wool	
3CY01	Heathered Warm Grey
3CY02	Heathered Rye Grass
3CY03	Heathered Cool Grey
3CY04	Heathered Blue Grey
3CY05	Heathered Black
3CY06	Heathered Persimmon
3CY07	Heathered Loden
3CY08	Heathered Jade
3CY09	Heathered Lagoon
3CY10	Heathered Twilight

Hopsak	
56" wide	
100% recycled polyester	
14A20	Black
14A22	Raw Umber Dark
14A26	Grey Blue Dark
14A30	Sepia Dark
14A38	Emerald Dark
14A39	Yellow Dark
14A40	Orange
14A41	Sienna
14A42	Olive Green Dark
14A43	Crimson
14A44	Crimson Dark Dark
14A45	Violet Dark
14A46	Pink Dark Dark
14A47	Ultramarine Dark
14A48	Cobalt Blue
14A49	Terra Cotta
14A50	Ochre Dark

Summit	
54" wide	
100% silicone	
Polyester knit backing	
3SU01	Bright White
3SU02	Oyster
3SU03	Zinc
3SU04	Sparrow
3SU05	Taupe
3SU06	Java
3SU07	Black
3SU08	Cherry
3SU09	Beachglass
3SU10	Midnight

## Price Category 6

Balance	
For Embody® chairs	
100% polyester	
3512	Carbon
3513	Black

# Proprietary Textile Colors — Seating

continued

---

## Price Category 7

**Customer's Own Leather**  
See Order Information in Appendices. Assigned lead-time textile. A

---

## Price Category 8

No fabrics available at this time.

---

## Price Category 9

<b>Leather</b>	
approx. 50 sq. ft. per hide	
100% leather	
2101	Ivory
2109	Black *
2110	Smoke
2111	Graphite
2112	Khaki
2113	Rattan
2114	Truffle
2115	Alpine
2116	Haze
2117	Sable Grey
2118	Dark Mineral **
2119	Dark Carbon ***
2120	Cranberry
2121	Deep Sea

\* Armpad color available on Aeron® Chair, Graphite.

\*\* Armpad color available on Aeron Chair, Mineral.

\*\*\* Armpad color available on Aeron Chair, Carbon.

# Maharam® Application Chart — Seating

- Available

[A] Maharam textiles are on assigned lead times.

[N] Non-woven textile.

See below for exception notes.

	Mirra® Chairs/Stools	Sayl® Work Chairs/Stools	Sayl Side Chairs	Setu® Chairs/Stools	Setu Lounge Chair/Ottoman	Verus® Work Chairs/Stools Back	Verus Work Chairs/Stools Seat	Verus Side Chairs Back	Verus Side Chairs Seat	Verus Plus Chairs	Aside® Chairs	Caper® Chairs/Stools	Keyn Chair Group Back	Keyn Chair Group Seat	Lino® Chairs Seat	OE1 Storage Trolley Cushion Top	Public Office Landscape® Seat	Plex® Lounge Furniture	Swoop™ Lounge Seating - Fully Upholstered	Swoop Lounge Seating - Plywood	Valor™ Seating	Nemschoff® Whisk™ Chairs	Cushion Tops	Workspaces
<b>Price Category 1</b>																								
No fabrics available at this time.																								
<b>Price Category 2</b>																								
ZMA__ Metaphor - Maharam		16	16			•	•	•	•			•	•	•				•	•	•	•			•
811__ Muse - Maharam		16	16			•	•						•	•							26			•
<b>Price Category 3</b>																								
ZM2__ Meld - Maharam *				•	•	•	•	•	•	•	8		•	•	•	•	•	•	•	•			•	•
<b>Price Category 4</b>																								
ZLR__ Lariat - Maharam [N]				•	•		•	•	•	•			•	•				20			•	•	•	
<b>Price Category 5</b>																								
4OG__ Method - Maharam		16	16	•	•	•	•	•	•	•			•	•	•	•	•	•	•	•	•	•	•	•
ZNC__ Nico - Maharam				•	•		•	•	•	•			•	•	•	•	•	•	•	•	•	•	•	•
<b>Price Category 6</b>																								
No fabrics available at this time.																								
<b>Price Category 7</b>																								
ZB3__ Beck - Maharam		16	16	•	•		•	•	•	•			•	•	•	•	•	•	•	•	•	•	•	•
<b>Price Category 8</b>																								
ZLU__ Luce - Maharam		16	16	•	•		•	•	•	•			•	•	•	•	•	•	•	•	•	•	•	•
<b>Price Category 9</b>																								
ZC0__ Campana - Maharam		16	16			•	•	•	•	•			•	•	•	•	•	•	•	•	•	•	•	•
ZGE__ Gemma - Maharam				•	•	•	•	•	•	•			•	•	•	•	•	•	•	•	•	•	•	•
ZJA__ Jasper - Maharam		16	16			•	•	•	•	•			•	•	•	•	•	•	•	•	•	•	•	7
<b>Price Category 10</b>																								
3KH__ Firma - Maharam		16		•	•	•	•	•	•	•			•	•	•	•	•	•	•	•	•	•	•	•
ZGF__ Gemma Multi - Maharam				•	•	•	•	•	•	•			•	•	•	•	•	•	•	•	•	•	•	•
ZGF__ Gemma Multi Reverse - Maharam				•	•	•	•	•	•	•			•	•	•	•	•	•	•	•	•	•	•	•
ZP4__ Petra - Maharam		16	16			•	•	•	•	•			•	•	•	•	•	•	•	•	•	•	•	•
<b>Price Category A</b>																								
No fabrics available at this time.																								
<b>Price Category B</b>																								
VM__ Medium - Maharam				•	•		•	•	•	•			•	•	•	•	•	•	•	•	•	•	•	•
TI__ Messenger - Maharam *				•	•	•	•	•	•	•			•	•	•	•	•	•	•	•	•	26		•
<b>Price Category C</b>																								
Z27__ Manner - Maharam				•	•		•	•	•	•			•	•	•	•	•	•	•	•	•	•	•	•
887__ Merit - Maharam				•	•		•	•	•	•			•	•	•	•	•	•	•	•	•	•	•	•
Z3__ Metric - Maharam				•	•		•	•	•	•			•	•	•	•	•	•	•	•	•	•	•	•
ZML__ Milestone - Maharam				•	•		•	•	•	•			•	•	•	•	•	•	•	•	•	•	•	•
8EY__ Murmur - Maharam			16			•	•	•	•	•			•	•	•	•	•	•	•	•	•	•	•	7
<b>Price Category D</b>																								
818__ Bluff - Maharam		16	16			•	•	•	•	•	8		•				21		•	•		•	•	
ZMD__ Mode - Maharam		18	•			•	•	•	•	•			•		•		•	•	•	•	•	•	•	•

continued on next page

\* Available in select colors on 20-day lead-time. Refer to "Maharam Colors - Seating" for 20-day colors.

# Maharam® Application Chart — Seating *continued*

• Available

[A] Maharam textiles are on assigned lead times.

[N] Non-woven textile.

See below for exception notes.

Appendix: Maharam Application Chart — Seating

	Mirra® Chairs/Stools	Sayl® Work Chairs/Stools	Sayl Side Chairs	Setu® Chairs/Stools	Setu Lounge Chair/Ottoman	Verus® Work Chairs/Stools Back	Verus Work Chairs/Stools Seat	Verus Side Chairs Back	Verus Side Chairs Seat	Verus Plus Chairs	Aside® Chairs	Cape® Chairs/Stools	Keyn Chair Group Back	Keyn Chair Group Seat	Lino® Chairs Seat	OE1 Storage Trolley Cushion Top	Public Office Landscape® Seat	Plex® Lounge Furniture	Swoop™ Lounge Seating - Fully Upholstered	Swoop Lounge Seating - Plywood	Valor™ Seating	Nemschoff® Whisk™ Chairs	Cushion Tops	Workspaces
<b>Price Category E</b>																								
ZAT__ Article - Maharam [N]	16	16				•	•	•	•				•	•	•						•			7
896__ Dwell - Maharam	16	16					•				•			•	•						•			7
ZP2__ Pick - Maharam	18		•			•	•	•	•		•			•	•	•			•	•	•			•
ZR2__ Roster - Maharam	16	16					•		•	•				•	•				•					•
ZT3__ Technic - Maharam	18		•			•	•	•	•		•			•							•			7
<b>Price Category F</b>																								
82T__ Apt - Maharam [N]	18		•			•	•	•	•					•				•	21	•		•		7
871__ Brindle - Maharam	16	16					•		•				•	•	•				•					•
87Z__ Conduit - Maharam	16	16				•	•	•	•				•	•	•				•					7
74M__ Instill - Maharam [N]	18	16				•	•	•					•	•	•				•	•	•			7
89N__ Keen - Maharam	16	16					•		•	•			•	•	•				•	•	•			
V9G__ Ledger - Maharam [N]	18	16				•	•		•	•			•	•	•									•
ZLL__ Loop - Maharam	16	16					•		•		8			•	•									
82A__ Multiply - Maharam	16	16				•	•	•	•				•	•	•				•		•	•		
8LW__ Pepper - Maharam	16	16					•		•				•	•				•	21	•		9		•
Z29__ Plait - Maharam		16	•			•	•	•	•				•	•							•			•
ZRA__ Runner Standard - Maharam	18		•			•	•	•	•				•											7
Z31__ Sequence - Maharam			•	•		•	•	•	•				•						•		•			•
Z33__ Strum - Maharam [N]		16											•						•		•			7
<b>Price Category G</b>																								
ZBU__ Bushel by Lisa Scull - Maharam	16	16					•		•	•	•		•	•					•					
8GI__ Chassis - Maharam	16	16					•		•	•	•		•	•					•		•	•		•
ZC2__ Compound - Maharam [N]	16	16				•	•	•	•		8		•	•				•			•	•		7
ZEM__ Emboss - Maharam [N]		16											•											7
ZF1__ Fold - Maharam [N]	16	16											•											7
8AR__ Gild - Maharam		16					•	•	•	•			•					•	21	•	•	•		
ZPR__ Pare - Maharam	18	16					•		•		8		•	•				•	•	•				7
ZP1__ Pick Crypton - Maharam	16		•			•	•		•				•	•										7
ZRF__ Runner - Maharam	16	16											•		•									•
ZSN__ Sheen - Maharam	18		•			•	•		•				•											7
8DW__ Waver - Maharam	16	16				•	•	•	•	•			•	•							•	•		
<b>Price Category H</b>																								
ZT__ Circles - Maharam	16	16											•											•
ZS__ Crosspatch - Maharam			•										•											•
ZK__ Dot Pattern - Maharam			•	•	•		•		•				•											•
ZQF__ Offset - Maharam	16		•										•		•									•
ZP3__ Pocket - Maharam			•				•		•				•	•	•				•					•
ZL__ Small Dot Pattern - Maharam			•	•	•		•		•				•		•									•
<b>Price Category I</b>																								
7CW__ Cursive - Maharam	16	16				•	•	•	•		8		•	•	•	•			•					•
ZSY__ Study - Maharam																								•
ZT2__ Teatro - Maharam			•	•			•		•															7

continued on next page

# Maharam® Application Chart — Seating *continued*

• Available

[A] Maharam textiles are on assigned lead times.

[N] Non-woven textile.

See below for exception notes.

	Mirra® Chairs/Stools	Sayl® Work Chairs/Stools	Sayl Side Chairs	Setu® Chairs/Stools	Setu Lounge Chair/Ottoman	Verus® Work Chairs/Stools Back	Verus Work Chairs/Stools Seat	Verus Side Chairs Back	Verus Side Chairs Seat	Verus Plus Chairs	Aside® Chairs	Cape® Chairs/Stools	Keyn Chair Group Back	Keyn Chair Group Seat	Lino® Chairs Seat	OE1 Storage Trolley Cushion Top	Public Office Landscape® Seat	Plex® Lounge Furniture	Swoop™ Lounge Seating - Fully Upholstered	Swoop Lounge Seating - Plywood	Valor™ Seating	Nemschoff® Whisk™ Chairs	Cushion Tops	Workspaces
<b>Price Category J-K</b>	No fabrics available at this time.																							
<b>Price Category L</b>	ZMK_ _ Minicheck - Maharam																							
		•	•			•	•	•		•				•	•						•			7
<b>Price Category M</b>	ZF2_ _ Fruit - Maharam																							
				16						•														7
<b>Price Category N-Z</b>	No fabrics available at this time.																							

7 Available on 1” Cushion Tops only.

8 Only available on the Aside nonupholstered outer back option (PB).

9 Available on Valor upholstered seat.

16 Available on Sayl Chair seat.

18 Available on Sayl Chair seat and upholstered mid-back.

20 Not available on Plex Club Chair with Headrest.

21 Available on Plex seat and on Ottoman.

26 Available in select colors. Refer to “Maharam Textile Colors - Seating” for color offering.



# Maharam® Colors — Seating

## Price Category 1

No fabrics available at this time.

## Price Category 2

Metaphor – Maharam	
54" wide	
100% polyester	
Acrylic backing	
ZMA01/466553-001 Afterfeather	
ZMA02/466553-002 Moonflower	
ZMA03/466553-003 Handcraft	
ZMA04/466553-004 Crossroad	
ZMA05/466553-005 Chondrite	
ZMA06/466553-006 Detective	
ZMA07/466553-007 Steamship	
ZMA08/466553-008 Electricity	
ZMA09/466553-009 Takeoff	
ZMA10/466553-010 Parachute	
ZMA11/466553-011 Blueshift	
ZMA12/466553-012 Dockyard	
ZMA13/466553-013 Bathe	
ZMA14/466553-014 Icebound	
ZMA15/466553-015 Thermosphere	
ZMA16/466553-016 Aboard	
ZMA17/466553-017 Agateway	
ZMA18/466553-018 Homeland	
ZMA19/466553-019 Rockfall	
ZMA20/466553-020 Undergrowth	
ZMA21/466553-021 Gremolata	
ZMA22/466553-022 Patina	
ZMA23/466553-023 Sylvan	
ZMA24/466553-024 Outfield	
ZMA25/466553-025 Windbreak	
ZMA26/466553-026 Saguaro	
ZMA27/466553-027 Barnwood	
ZMA28/466553-028 Cookshop	
ZMA29/466553-029 Amandine	
ZMA30/466553-030 Bodhran	
ZMA31/466553-031 Centerstage	
ZMA32/466553-032 Focaccia	
ZMA33/466553-033 Bumblebee	
ZMA34/466553-034 Microbrew	
ZMA35/466553-035 Sauna	
ZMA36/466553-036 Gazebo	
ZMA37/466553-037 Pirouette	
ZMA38/466553-038 Heartbeat	
ZMA39/466553-039 Shino	
ZMA40/466553-040 Sunrise	
ZMA41/466553-041 Florist	

Metaphor <i>continued</i>	
ZMA42/466553-042 Beadwork	
ZMA43/466553-043 Framboise	
ZMA44/466553-044 Wisteria	
ZMA45/466553-045 Warrior	

Muse – Maharam	
54" wide	
100% post-consumer recycled polyester	
81101/466487-001 Crescendo	
81102/466487-002 Resonate	
81103/466487-003 Runway	
81104/466487-004 Ascend	
81105/466487-005 Veil *	
81106/466487-006 Refresh *	
81107/466487-007 Clear *	
81108/466487-008 Fantasy	
81109/466487-009 Miso	
81110/466487-010 Compass	
81111/466487-011 Bergamot *	
81112/466487-012 Grasshopper	
81113/466487-013 Goal	
81114/466487-014 Mistletoe	
81115/466487-015 Seaglass *	
81116/466487-016 Frigid	
81117/466487-017 Riverbend	
81118/466487-018 Noble	
81119/466487-019 Pulsar	
81120/466487-020 Velella	
81121/466487-021 Sailboat	
81122/466487-022 Sparse	
81123/466487-023 Vase	
81124/466487-024 Haven	
81125/466487-025 Mead	
81126/466487-026 Neat	
81127/466487-027 Jovial	
81128/466487-028 Theater	
81129/466487-029 Poinsettia	
81130/466487-030 Celebrate	
81131/466487-031 Spectacle	

\* Colors not available on Valor Seating.

## Price Category 3

Meld – Maharam	
54" wide	
68% post-consumer recycled polyester	
32% polyester	
PFOA-Free stain resistant	
ZM201/466387-201 Vast	
ZM202/466387-202 Panda **	
ZM203/466387-203 Skyline *	
ZM204/466387-204 Knight **	
ZM205/466387-205 Quill **	
ZM206/466387-206 Pipe	
ZM207/466387-207 Grate *	
ZM208/466387-208 Gloss	
ZM209/466387-209 Bulb	
ZM210/466387-210 Bride	
ZM211/466387-211 Stark	
ZM212/466387-212 Seashell	
ZM213/466387-213 Antler	
ZM214/466387-214 Crater *	
ZM215/466387-215 Perennial	
ZM216/466387-216 Mulberry	
ZM217/466387-217 Fuchsia *	
ZM218/466387-218 Amethyst *	
ZM219/466387-219 Merlot	
ZM220/466387-220 Magma *	
ZM221/466387-221 Rooster	
ZM222/466387-222 Heat *	
ZM223/466387-223 Clementine	
ZM224/466387-224 Fox	
ZM225/466387-225 Kiss *	
ZM226/466387-226 Bare	
ZM227/466387-227 Blonde	
ZM228/466387-228 Mimosa	
ZM229/466387-229 Comet *	
ZM230/466387-230 Honeydew	
ZM231/466387-231 Wild *	
ZM232/466387-232 Vine	
ZM233/466387-233 Seed	
ZM234/466387-234 Kale *	

\* Colors available on 20-day lead time.

\*\* Colors available on 10-day lead time.

Price category 3 continued on next page

Appendix: Maharam Colors — Seating

- Maharam textiles are on assigned lead times A unless otherwise noted.
- Fabric numbers are listed as Herman Miller fabric number/Maharam fabric number.

# Maharam® Colors — Seating

continued

## Price Category 3

continued

Meld continued	
ZM235/466387-235	Waterfall *
ZM236/466387-236	Nordic *
ZM237/466387-237	Reef *
ZM238/466387-238	Wave
ZM239/466387-239	Isle **
ZM240/466387-240	Creek
ZM241/466387-241	Mariner *
ZM242/466387-242	Globe
ZM243/466387-243	Spa

\* Colors available on  
20-day lead time.

\*\* Colors available on  
10-day lead time.

## Price Category 4

Lariat – Maharam	
54" wide	
100% vinyl	
ZLR01/440401-001	001
ZLR02/440401-002	002
ZLR03/440401-003	003
ZLR04/440401-004	004
ZLR06/440401-006	006
ZLR07/440401-007	007
ZLR08/440401-008	008
ZLR10/440401-010	010
ZLR11/440401-011	011
ZLR12/440401-012	012
ZLR13/440401-013	013
ZLR14/440401-014	014
ZLR15/440401-015	015
ZLR16/440401-016	016
ZLR18/440401-018	018
ZLR20/440401-020	020
ZLR21/440401-021	021
ZLR23/440401-023	023
ZLR24/440401-024	024
ZLR25/440401-025	025
ZLR26/440401-026	026
ZLR27/440401-027	027
ZLR28/440401-028	028
ZLR29/440401-029	029
ZLR30/440401-030	030
ZLR31/440401-031	031
ZLR32/440401-032	032
ZLR33/440401-033	033
ZLR34/440401-034	034
ZLR35/440401-035	035
ZLR36/440401-036	036
ZLR37/440401-037	037
ZLR38/440401-038	038

## Price Category 5

Method - Maharam	
54" wide	
100% recycled polyester with 9% ocean-bound plastic	
40G01/466579-001	Inspire
40G02/466579-002	Rhea
40G03/466579-003	Noise
40G04/466579-004	Speedway
40G05/466579-005	Villanelle
40G06/466579-006	Maestro
40G07/466579-007	Destiny
40G08/466579-008	Possess
40G09/466579-009	Waterside
40G10/466579-010	Relax
40G11/466579-011	Delightful
40G12/466579-012	Parrotlet
40G13/466579-013	Verdurous
40G14/466579-014	Bosky
40G15/466579-015	Acreage
40G16/466579-016	Allude
40G17/466579-017	Tweed
40G18/466579-018	Korma
40G19/466579-019	Fossilize
40G20/466579-020	Cattail
40G21/466579-021	Shortcake
40G22/466579-022	Racecar
40G23/466579-023	Courtship
40G24/466579-024	Jam
40G25/466579-025	Sparrow

Nico - Maharam	
54" wide	
63% wool	
21% polyester	
16% solution-dyed nylon	
ZNC01/466564-001	Alcazar
ZNC02/466564-002	Ironclad
ZNC03/466564-003	Tune
ZNC04/466564-004	Bridegroom
ZNC05/466564-005	Diode
ZNC06/466564-006	Jest
ZNC07/466564-007	Sanctuary
ZNC08/466564-008	Aquarius
ZNC09/466564-009	Houseboat
ZNC10/466564-010	Olympian
ZNC11/466564-011	Tennis
ZNC12/466564-012	Dressage
ZNC13/466564-013	Zing
ZNC14/466564-014	Bitterroot
ZNC15/466564-015	Gemini
ZNC16/466564-016	Posh
ZNC17/466564-017	Sizzle
ZNC18/466564-018	Cheerful
ZNC19/466564-019	Watermelon
ZNC20/466564-020	Toucan
ZNC21/466564-021	Rosin
ZNC22/466564-022	Jousting
ZNC23/466564-023	Jobba
ZNC24/466564-024	Dromedary
ZNC25/466564-025	Toasty
ZNC26/466564-026	Casaba
ZNC27/466564-027	Greenhouse
ZNC28/466564-028	Sibyl
ZNC29/466564-029	Spearmint
ZNC30/466564-030	Pothos
ZNC31/466564-031	Calathea
ZNC32/466564-032	Landscape
ZNC33/466564-033	Espalier
ZNC34/466564-034	Gecko
ZNC35/466564-035	Meditation

- Maharam textiles are on assigned lead times **A** unless otherwise noted.
- Fabric numbers are listed as Herman Miller fabric number/Maharam fabric number.



# Maharam® Colors — Seating

*continued*

## Price Category 6

No fabrics available at this time.

## Price Category 7

### Beck – Maharam

55" wide
78% wool
22% nylon
ZB301/466571-001 Overshadow
ZB302/466571-002 Molecule
ZB303/466571-003 Zeitgeist
ZB304/466571-004 Blacksmith
ZB305/466571-005 Cornerstone
ZB306/466571-006 Chainmail
ZB307/466571-007 Buckram
ZB308/466571-008 Callisto
ZB309/466571-009 Interlude
ZB310/466571-010 Letterpress
ZB311/466571-011 Memoir
ZB312/466571-012 Litmus
ZB313/466571-013 Stoic
ZB314/466571-014 Inkpad
ZB315/466571-015 Praxis
ZB316/466571-016 Astute
ZB317/466571-017 Percolate
ZB318/466571-018 Halocline
ZB319/466571-019 Semblance
ZB320/466571-020 Loch
ZB321/466571-021 Lido
ZB322/466571-022 Underwater
ZB323/466571-023 Tetrapod
ZB324/466571-024 Nymph
ZB325/466571-025 Appalachian
ZB326/466571-026 Menthol
ZB327/466571-027 Woodruff
ZB328/466571-028 Malachite
ZB329/466571-029 Botanist
ZB330/466571-030 Woodlet
ZB331/466571-031 Katydid
ZB332/466571-032 Exuberant
ZB333/466571-033 Retrospect

### Beck *continued*

ZB334/466571-034 Lambic
ZB335/466571-035 Argil
ZB336/466571-036 Brushstroke
ZB337/466571-037 Candescent
ZB338/466571-038 Reedbuck
ZB339/466571-039 Clayware
ZB340/466571-040 Curio
ZB341/466571-041 Whimsy
ZB342/466571-042 Effervescent
ZB343/466571-043 Lingonberry
ZB344/466571-044 Resplendent
ZB345/466571-045 Hollyhock
ZB346/466571-046 Filigree
ZB347/466571-047 Plutonic
ZB348/466571-048 Foundry
ZB349/466571-049 Patisserie

## Price Category 8

### Luce - Maharam

59" wide
75% post-consumer recycled wool
20% polyester
5% nylon
ZLU01/466566-001 Brioche
ZLU02/466566-002 Blanched
ZLU03/466566-003 Relic
ZLU04/466566-004 Sinter
ZLU05/466566-005 Scoria
ZLU06/466566-006 Austere
ZLU07/466566-007 Pigment
ZLU08/466566-008 Alkali
ZLU09/466566-009 Tidal
ZLU10/466566-010 Imbue
ZLU11/466566-011 Reservoir
ZLU12/466566-012 Brine
ZLU13/466566-013 Undertone
ZLU14/466566-014 Prelude
ZLU15/466566-015 Submerge
ZLU16/466566-016 Cypress
ZLU17/466566-017 Awash
ZLU18/466566-018 Adriatic
ZLU19/466566-019 Province
ZLU20/466566-020 Virescent
ZLU21/466566-021 Nettle
ZLU22/466566-022 Agrarian
ZLU23/466566-023 Serpentine
ZLU24/466566-024 Laurel
ZLU25/466566-025 Clarion
ZLU26/466566-026 Gooseberry
ZLU27/466566-027 Swelter
ZLU28/466566-028 Etruscan
ZLU29/466566-029 Coulis
ZLU30/466566-030 Rubescent
ZLU31/466566-031 Akoya
ZLU32/466566-032 Radiant
ZLU33/466566-033 Regent
ZLU34/466566-034 Spectral
ZLU35/466566-035 Thistle

- Maharam textiles are on assigned lead times A unless otherwise noted.
- Fabric numbers are listed as Herman Miller fabric number/Maharam fabric number.

# Maharam® Colors — Seating

continued

Appendix: Maharam Colors — Seating

## Price Category 9

Campana – Maharam
59" wide
85% wool
15% nylon
ZC001/466571-001 Viverine
ZC002/466571-002 Lithograph
ZC003/466571-003 Moonscape
ZC004/466571-004 Brevity
ZC005/466571-005 Linear
ZC006/466571-006 Hinterland
ZC007/466571-007 Mural
ZC008/466571-008 Sloe
ZC009/466571-009 Interstellar
ZC010/466571-010 Mythology
ZC011/466571-011 Scintillate
ZC012/466571-012 Succession
ZC013/466571-013 Visceral
ZC014/466571-014 Hemisphere
ZC015/466571-015 Troposphere
ZC016/466571-016 Skye
ZC017/466571-017 Seaward
ZC018/466571-018 Nemorous
ZC019/466571-019 Allegory
ZC020/466571-020 Olivine
ZC021/466571-021 Reptilian
ZC022/466571-022 Basil
ZC023/466571-023 Fanleaf
ZC024/466571-024 Beachgrass
ZC025/466571-025 Hayfield
ZC026/466571-026 Freesia
ZC027/466571-027 Rhodium
ZC028/466571-028 Undercoat
ZC029/466571-029 Airbrush
ZC030/466571-030 Shellfish
ZC031/466571-031 Mojave
ZC032/466571-032 Renaissance
ZC033/466571-033 Decoupage
ZC034/466571-034 Outback
ZC035/466571-035 Millipede

Gemma – Maharam
55" wide
85% wool
15% nylon
ZGE01/466568-001 Crinoline
ZGE02/466568-002 Angelic
ZGE03/466568-003 Savory
ZGE04/466568-004 Honeycomb
ZGE05/466568-005 Gilded
ZGE06/466568-006 Paddleboat
ZGE07/466568-007 Stagecoach
ZGE08/466568-008 Waterbuck
ZGE09/466568-009 Earnest
ZGE10/466568-010 Auric
ZGE11/466568-011 Carmine
ZGE12/466568-012 Serape
ZGE13/466568-013 Ferric
ZGE14/466568-014 Canyon
ZGE15/466568-015 Alembic
ZGE16/466568-016 Patio
ZGE17/466568-017 Sorrel
ZGE18/466568-018 Root
ZGE19/466568-019 Mansion
ZGE20/466568-020 Buff
ZGE21/466568-021 Starch
ZGE22/466568-022 Dawn
ZGE23/466568-023 Countryside
ZGE24/466568-024 Dewy
ZGE25/466568-025 Reliquary
ZGE26/466568-026 Deluge
ZGE27/466568-027 Overlay
ZGE28/466568-028 Electron
ZGE29/466568-029 Sheath
ZGE30/466568-030 Quietude
ZGE31/466568-031 Jargon
ZGE32/466568-032 Powder
ZGE33/466568-033 Tide
ZGE34/466568-034 Outwash
ZGE35/466568-035 Enamored
ZGE36/466568-036 Smitten
ZGE37/466568-037 Revere
ZGE38/466568-038 Mangosteen
ZGE39/466568-039 Allium
ZGE40/466568-040 Immense
ZGE41/466568-041 Chamber

Gemma continued
ZGE42/466568-042 Cosmos
ZGE43/466568-043 Inkling
ZGE44/466568-044 Rainwater
ZGE45/466568-045 Shade
ZGE46/466568-046 Pendant
ZGE47/466568-047 Axial
ZGE48/466568-048 Fervent
ZGE49/466568-049 Legacy
ZGE50/466568-050 Caliber
ZGE51/466568-051 Temple
ZGE52/466568-052 Evenfall

Jasper - Maharam
53" wide
55% wool
27% solution-dyed nylon
18% cotton
ZJA01/466563-001 Thrill
ZJA02/466563-002 Anise
ZJA03/466563-003 Grapefruit
ZJA04/466563-004 Lifeguard
ZJA05/466563-005 Heartfelt
ZJA06/466563-006 Corsage
ZJA07/466563-007 Earthenware
ZJA08/466563-008 Bear
ZJA09/466563-009 Firelight
ZJA10/466563-010 Dreamcatcher
ZJA11/466563-011 Bobcat
ZJA12/466563-012 Glacial
ZJA13/466563-013 Vaporize
ZJA14/466563-014 Trapdoor
ZJA15/466563-015 Halcyon
ZJA16/466563-016 Observatory
ZJA17/466563-017 Steamboat
ZJA18/466563-018 Aquathlon
ZJA19/466563-019 Cloudless
ZJA20/466563-020 Briny
ZJA21/466563-021 Magical
ZJA22/466563-022 Picnic
ZJA23/466563-023 Herbage
ZJA24/466563-024 Pasture
ZJA25/466563-025 Courtyard
ZJA26/466563-026 Leapfrog

## Price Category 10

Firma – Maharam
55" wide
78% wool
22% nylon
3KH01/466582-001 Wrath
3KH02/466582-002 Pantomime
3KH03/466582-003 Shaded
3KH04/466582-004 Prologue
3KH05/466582-005 Framework
3KH06/466582-006 Railroad
3KH07/466582-007 Grommet
3KH08/466582-008 Lunisolar
3KH09/466582-009 Snowpack
3KH10/466582-010 Coldsnap
3KH11/466582-011 Sealift
3KH12/466582-012 Brood
3KH13/466582-013 Intertidal
3KH14/466582-014 Confide
3KH15/466582-015 Secluded
3KH16/466582-016 Leisure
3KH17/466582-017 Portfolio
3KH18/466582-018 Strato
3KH19/466582-019 Fogbow
3KH20/466582-020 Snowcone
3KH21/466582-021 Kazoo
3KH22/466582-022 Esteem
3KH23/466582-023 Mackerel
3KH24/466582-024 Brooch
3KH25/466582-025 Caesious
3KH26/466582-026 Islet
3KH27/466582-027 Biosphere
3KH28/466582-028 Hilltop
3KH29/466582-029 Arboreal
3KH30/466582-030 Lineage
3KH31/466582-031 Comfrey
3KH32/466582-032 Circe
3KH33/466582-033 Ecosystem
3KH34/466582-034 Knack
3KH35/466582-035 Watt
3KH36/466582-036 Epiphany
3KH37/466582-037 Gamma
3KH38/466582-038 Taxicab
3KH39/466582-039 Varietal
3KH40/466582-040 Tale

- Maharam textiles are on assigned lead times **A** unless otherwise noted.
- Fabric numbers are listed as Herman Miller fabric number/Maharam fabric number.

Price category 10 continued on next page

# Maharam® Colors — Seating

continued

## Price Category 10

continued

### Firma continued

3KH41/466582-041	Elemental
3KH42/466582-042	Cuff
3KH43/466582-043	Emu
3KH44/466582-044	Tempeh
3KH45/466582-045	Tephra
3KH46/466582-046	Shellac
3KH47/466582-047	Emporium
3KH48/466582-048	Keratin
3KH49/466582-049	Camwood
3KH50/466582-050	Gloam
3KH51/466582-051	Novela
3KH52/466582-052	Fruitpunch
3KH53/466582-053	Decant
3KH54/466582-054	Milkshake
3KH55/466582-055	Metaphysic
3KH56/466582-056	Carafe
3KH57/466582-057	Voyager
3KH58/466582-058	Tenebrous
3KH59/466582-059	Subtext
3KH60/466582-060	Silent

### Gemma Multi – Maharam

55" wide	
85% wool	
15% nylon	
ZGF01/466569-001	Andromeda
ZGF02/466569-002	Dappled
ZGF03/466569-003	Lyra
ZGF04/466569-004	Flaunt
ZGF05/466569-005	Celluloid
ZGF06/466569-006	Hydrozoa
ZGF07/466569-007	Firefly
ZGF08/466569-008	Pisces
ZGF09/466569-009	Strath
ZGF10/466569-010	Erosion
ZGF11/466569-011	Cabaret
ZGF12/466569-012	Candytuft
ZGF13/466569-013	Juice
ZGF14/466569-014	Fairground
ZGF15/466569-015	Copperplate
ZGF16/466569-016	Sunbird
ZGF17/466569-017	Cinematic
ZGF18/466569-018	Clairvoyant
ZGF19/466569-019	Crocus

### Gemma Multi continued

ZGF20/466569-020	Memoir
ZGF21/466569-021	Roulette
ZGF22/466569-022	Voltaic
ZGF23/466569-023	Compote
ZGF24/466569-024	Lambent
ZGF25/466569-025	Twister
ZGF26/466569-026	Chronicle
ZGF27/466569-027	Sidereal
ZGF28/466569-028	Tanzanite
ZGF29/466569-029	Crystalize
ZGF30/466569-030	Chromium
ZGF31/466569-031	Pallium
ZGF32/466569-032	Spectre
ZGF33/466569-033	Courgette
ZGF34/466569-034	Viper
ZGF35/466569-035	Sunlit
ZGF36/466569-036	Heavenly
ZGF37/466569-037	Vernal
ZGF38/466569-038	Cress
ZGF39/466569-039	Limn
ZGF40/466569-040	Horseradish
ZGF41/466569-041	Shandy
ZGF42/466569-042	Granary
ZGF43/466569-043	Percolate
ZGF44/466569-044	Motor
ZGF45/466569-045	Unicorn
ZGF46/466569-046	Lobster
ZGF47/466569-047	Rhododendron
ZGF48/466569-048	Taffy
ZGF49/466569-049	Rishi
ZGF50/466569-050	Backcountry
ZGF51/466569-051	Buckthorn
ZGF52/466569-052	Coniferous
ZGF53/466569-053	Delphic
ZGF54/466569-054	Hieroglyph
ZGF55/466569-055	Eiderdown
ZGF56/466569-056	Sandbar
ZGF57/466569-057	Tanager

### Gemma Multi Reverse – Maharam

55" wide	
85% wool	
15% nylon	
ZGF58/466569-101	Andromeda
Reverse	
ZGF59/466569-102	Dappled
Reverse	
ZGF60/466569-103	Lyra
Reverse	
ZGF61/466569-104	Flaunt
Reverse	
ZGF62/466569-105	Celluloid
Reverse	
ZGF63/466569-106	Hydrozoa
Reverse	
ZGF64/466569-107	Firefly
Reverse	
ZGF65/466569-108	Pisces
Reverse	
ZGF66/466569-109	Strath
Reverse	
ZGF67/466569-110	Erosion
Reverse	
ZGF68/466569-111	Cabaret
Reverse	
ZGF69/466569-112	Candytuft
Reverse	
ZGF70/466569-113	Juice
Reverse	
ZGF71/466569-114	Fairground
Reverse	
ZGF72/466569-115	Copperplate
Reverse	
ZGF73/466569-116	Sunbird
Reverse	
ZGF74/466569-117	Cinematic
Reverse	
ZGF75/466569-118	Clairvoyant
Reverse	
ZGF76/466569-119	Crocus
Reverse	

### Gemma Multi Reverse continued

ZGF77/466569-120	Memoir
Reverse	
ZGF78/466569-121	Roulette
Reverse	
ZGF79/466569-122	Voltaic
Reverse	
ZGF80/466569-123	Compote
Reverse	
ZGF81/466569-124	Lambent
Reverse	
ZGF82/466569-125	Twister
Reverse	
ZGF83/466569-126	Chronicle
Reverse	
ZGF84/466569-127	Sidereal
Reverse	
ZGF85/466569-128	Tanzanite
Reverse	
ZGF86/466569-129	Crystalize
Reverse	
ZGF87/466569-130	Chromium
Reverse	
ZGF88/466569-131	Pallium
Reverse	
ZGF89/466569-132	Spectre
Reverse	
ZGF90/466569-133	Courgette
Reverse	
ZGF91/466569-134	Viper
Reverse	
ZGF92/466569-135	Sunlit
Reverse	
ZGF93/466569-136	Heavenly
Reverse	
ZGF94/466569-137	Vernal
Reverse	
ZGF95/466569-138	Cress
Reverse	
ZGF96/466569-139	Limn
Reverse	

Price category 10 continued on next page

- Maharam textiles are on assigned lead times **A** unless otherwise noted.
- Fabric numbers are listed as Herman Miller fabric number/Maharam fabric number.

# Maharam® Colors – Seating

continued

## Price Category 10

continued

<b>Gemma Multi Reverse continued</b>	
ZGF97/466569-140	Horseradish
	Reverse
ZGF98/466569-141	Shandy
	Reverse
ZGF99/466569-142	Granary
	Reverse
ZGFA0/466569-143	Percolate
	Reverse
ZGFA1/466569-144	Motor
	Reverse
ZGFA2/466569-145	Unicorn
	Reverse
ZGFA3/466569-146	Lobster
	Reverse
ZGFA4/466569-147	Rhododendron
	Reverse
ZGFA5/466569-148	Taffy
	Reverse
ZGFA6/466569-149	Rishi
	Reverse
ZGFA7/466569-150	Backcountry
	Reverse
ZGFA8/466569-151	Buckthorn
	Reverse
ZGFA9/466569-152	Coniferous
	Reverse
ZGFB0/466569-153	Delphic
	Reverse
ZGFB1/466569-154	Hieroglyph
	Reverse
ZGFB2/466569-155	Eiderdown
	Reverse
ZGFB3/466569-157	Tanager
	Reverse

<b>Petra - Maharam</b>	
	55" wide
	70% wool
	19% linen
	11% nylon
ZP401/466580-001	Hieroglyph
ZP402/466580-002	Interior
ZP403/466580-003	Samovar
ZP404/466580-004	Calcite
ZP405/466580-005	Silversmith
ZP406/466580-006	Rivet
ZP407/466580-007	Carpolite
ZP408/466580-008	Bonbon
ZP409/466580-009	Dreamy
ZP410/466580-010	Bejewel
ZP411/466580-011	Sashimi
ZP412/466580-012	Spirula
ZP413/466580-013	Chalet
ZP414/466580-014	Reindeer
ZP415/466580-015	Nostalgia
ZP416/466580-016	Trove
ZP417/466580-017	Narcissus
ZP418/466580-018	Yurt
ZP419/466580-019	Congee
ZP420/466580-020	Genepy
ZP421/466580-021	Herbaceous
ZP422/466580-022	Paddock
ZP423/466580-023	Precious
ZP424/466580-024	Biome
ZP425/466580-025	Tinted
ZP426/466580-026	Pelagic
ZP427/466580-027	Bluebill
ZP428/466580-028	Chicory
ZP429/466580-029	Eaglet
ZP430/466580-030	Permafrost
ZP431/466580-031	Atlantic
ZP432/466580-032	Airstream
ZP433/466580-033	Debonair

## Price Category A

No fabrics available at this time.

## Price Category B

<b>Medium – Maharam</b>	
	54" wide
	100% polyester
VM01/463490-001	Raven
VM02/463490-002	Smoke
VM03/463490-003	Alloy
VM04/463490-004	Flax
VM07/463490-007	Espresso
VM08/463490-008	Pecan
VM12/463490-012	Pumpkin
VM14/463490-014	Laser
VM16/463490-016	Port
VM22/463490-022	Marina
VM29/463490-029	Pistachio
VM32/463490-032	Prospect
VM36/463490-036	Delight
VM39/463490-039	Nautical
VM40/463490-040	Pool
VM44/463490-044	Washed
VM45/463490-045	Sculpture
VM46/463490-046	Thatched
VM47/463490-047	Hike
VM48/463490-048	Tangle
VM49/463490-049	Pacific
VM50/463490-050	Cosmic
VM51/463490-051	Cascade
VM52/463490-052	Blackberry
VM53/463490-053	Nasturtium
<b>Messenger – Maharam</b>	
	54" wide
	78% recycled polyester
	15% polyester, 7% nylon
TI07/458640-007	Shadow
TI08/458640-008	Bayou *
TI24/458640-024	Poppy
TI25/458640-025	Mao
TI29/458640-029	Onyx *
TI31/458640-031	Cloud *
TI38/458640-038	Depth *
TI40/458640-040	Nile *

Price category B continued on next page

- Maharam textiles are on assigned lead times **A** unless otherwise noted.
- Fabric numbers are listed as Herman Miller fabric number/Maharam fabric number.

# Maharam® Colors — Seating

continued

## Price Category B

continued

Messenger continued	
TI41/458640-041	Azure *
TI45/458640-045	Cactus *
TI46/458640-046	Ice *
TI48/458640-048	Neon
TI50/458640-050	Hydrangea
TI53/458640-053	Tangelo
TI54/458640-054	Lumine *
TI58/458640-058	Snow **
TI60/458640-060	Peridot
TI61/458640-061	Capri *
TI62/458640-062	Ultramarine
TI63/458640-063	Squall
TI66/458640-066	Cassis
TI67/458640-067	Aster
TI69/458640-069	Cherry
TI70/458640-070	Vibrant
TI71/458640-071	Satsuma *
TI72/458640-072	Maize
TI76/458640-076	Fossil
TI77/458640-077	Ash
TI78/458640-078	Tusk
TI79/458640-079	Oyster
TI81/458640-081	Husk
TI84/458640-084	Robust
TI85/458640-085	Beyond
TI86/458640-086	Voyage *
TI87/458640-087	Everglade
TI89/458640-089	Blanch **
TI90/458640-090	Longspur
TI91/458640-091	Vireo
TI92/458640-092	Dipper
TI93/458640-093	Gale
TI94/458640-094	Hunter
TI95/458640-095	Lime
TI96/458640-096	Apple
TI97/458640-097	Krill
TI98/458640-098	Catalyst

\* Colors available on 20-day lead time.

\*\* Colors not available on Valor Seating.

## Price Category C

Manner - Maharam	
54" wide	
100% recycled polyester	
Z2701/466177-001	Magic
Z2702/466177-002	Carob
Z2703/466177-003	Porpoise
Z2704/466177-004	Flint
Z2705/466177-005	Hush
Z2706/466177-006	Nuance
Z2711/466177-011	Ember
Z2712/466177-012	Wagon
Z2713/466177-013	Ablaze
Z2714/466177-014	Peel
Z2716/466177-016	Butterscotch
Z2717/466177-017	Harvest
Z2720/466177-020	Parakeet
Z2722/466177-022	Aquatic
Z2723/466177-023	Cottage
Z2724/466177-024	Dahlia
Z2725/466177-025	Vivid
Z2726/466177-026	Basin
Z2727/466177-027	Schooner
Z2728/466177-028	Slope
Z2729/466177-029	Silverpoint
Z2730/466177-030	Lattice
Z2731/466177-031	Smoky
Z2732/466177-032	Magnetic
Z2733/466177-033	Woad
Z2734/466177-034	Resolute
Z2735/466177-035	Cruise
Z2736/466177-036	Atmospheric
Z2737/466177-037	Cloudburst
Z2738/466177-038	Tidewater
Z2739/466177-039	Firth
Z2740/466177-040	Oceanside
Z2741/466177-041	Grandeur
Z2742/466177-042	Comfort
Z2743/466177-043	Dill
Z2744/466177-044	Poplar
Z2745/466177-045	Citronella
Z2746/466177-046	Passerine

Manner continued	
Z2747/466177-047	Southwest
Z2748/466177-048	Roseate
Z2749/466177-049	Charisma
Z2750/466177-050	Siltstone
Z2751/466177-051	Kimono
Z2752/466177-052	Valiant
Z2753/466177-053	Baroness

Merit - Maharam	
54" wide	
76% post-industrial recycled polyester	
24% polyester	
PFOA-Free stain resistant	
88Z01/466444-001	Trickle
88Z02/466444-002	Beluga
88Z03/466444-003	Gunmetal
88Z04/466444-004	Blackout
88Z05/466444-005	Superior
88Z06/466444-006	Ocean
88Z07/466444-007	Highborn
88Z08/466444-008	Immersed
88Z09/466444-009	Rainfall
88Z10/466444-010	Blizzard
88Z11/466444-011	Poolside
88Z12/466444-012	Steel
88Z13/466444-013	Zircon
88Z14/466444-014	Ripple
88Z15/466444-015	Aegean
88Z16/466444-016	Armada
88Z17/466444-017	Hedera
88Z18/466444-018	Rainforest
88Z19/466444-019	Gator
88Z20/466444-020	Vineyard
88Z21/466444-021	Pine
88Z22/466444-022	Kiwi
88Z23/466444-023	Kookaburra
88Z24/466444-024	Bellini
88Z25/466444-025	Sunflower
88Z26/466444-026	Sandstorm

Merit continued	
88Z27/466444-027	Mudder
88Z28/466444-028	Lynx
88Z29/466444-029	Farro
88Z30/466444-030	Manila
88Z31/466444-031	Starfish
88Z32/466444-032	Brass
88Z33/466444-033	Arrow
88Z34/466444-034	Gelato
88Z35/466444-035	Nectarine
88Z36/466444-036	Macaron
88Z37/466444-037	Alert
88Z38/466444-038	Goji
88Z39/466444-039	Cabernet
88Z40/466444-040	Eggplant
88Z41/466444-041	Hawk
88Z42/466444-042	Stag
88Z43/466444-043	Overcast

Metric - Maharam	
54" wide	
51% recycled polyester	
49% polyester	
Z302/466014-002	Fog
Z303/466014-003	Fleece
Z312/466014-012	Cardinal
Z313/466014-013	Lava
Z318/466014-018	Pollen
Z320/466014-020	Alligator
Z323/466014-023	Tar
Z324/466014-024	Anchor
Z326/466014-026	Admiral
Z327/466014-027	Seaport
Z328/466014-028	Scuba
Z329/466014-029	Skate
Z330/466014-030	Hopscotch
Z331/466014-031	Film
Z332/466014-032	Whale
Z333/466014-033	Downpour
Z334/466014-034	Midday
Z335/466014-035	Talisman

Price category C continued on next page

- Maharam textiles are on assigned lead times A unless otherwise noted.
- Fabric numbers are listed as Herman Miller fabric number/Maharam fabric number.



# Maharam® Colors — Seating

continued

## Price Category C

continued

Metric continued	
Z336/466014-036	Hedgerow
Z337/466014-037	Snorkel
Z338/466014-038	Highway
Z339/466014-039	Canary
Z340/466014-040	Sunny
Z341/466014-041	Aztec
Z342/466014-042	Fruit
Z343/466014-043	Galah
Z344/466014-044	Kiln
Z345/466014-045	Moth

Milestone – Maharam	
54" wide	
78% post-industrial recycled polyester	
15% polyester	
7% nylon	
ZML22/403901-022	Pewter
ZML25/403901-025	Charcoal
ZML26/403901-026	Ebony
ZML31/403901-031	Ground
ZML46/403901-046	Tortoise
ZML47/403901-047	Rush
ZML54/403901-054	Linger
ZML55/403901-055	Embrace
ZML57/403901-057	Coffee
ZML58/403901-058	Bison
ZML61/403901-061	Tiger Lily
ZML69/403901-069	Lychee
ZML71/403901-071	Daffodil
ZML72/403901-072	Ecrú
ZML78/403901-078	Spruce
ZML79/403901-079	Fountain
ZML80/403901-080	Mykonos

Murmur - Maharam	
55" wide	
100% polyester	
PFOA-Free stain resistant	
8EY01/466446-001	Gust
8EY02/466446-002	Harmonica
8EY03/466446-003	Canopy
8EY04/466446-004	Dim
8EY05/466446-005	Peppercorn
8EY06/466446-006	Cauldron
8EY07/466446-007	Conquer
8EY08/466446-008	Rapids
8EY09/466446-009	Seawater
8EY10/466446-010	Baby
8EY11/466446-011	Elderberry
8EY12/466446-012	Iceberg
8EY13/466446-013	Tallgrass
8EY14/466446-014	Underground
8EY15/466446-015	Biome
8EY16/466446-016	Cask
8EY17/466446-017	Argan
8EY18/466446-018	Sundown
8EY19/466446-019	Ignite
8EY20/466446-020	Sultry
8EY21/466446-021	Sangria

## Price Category D

Bluff - Maharam	
54" wide	
100% polyurethane	
Ink-resistant protective top coat	
Polyester backing	
8I801/466489-001	Loom
8I802/466489-002	Helm
8I803/466489-003	Cruller
8I804/466489-004	Folklore
8I805/466489-005	Beguile
8I806/466489-006	Sherpa
8I807/466489-007	Teleport
8I808/466489-008	Annex
8I809/466489-009	Lorimer
8I810/466489-010	Cinema
8I811/466489-011	Zip
8I812/466489-012	Coach
8I813/466489-013	Supernova
8I814/466489-014	Pirate
8I815/466489-015	Academy
8I816/466489-016	Disco
8I817/466489-017	Equator
8I818/466489-018	Brink
8I819/466489-019	Scene
8I820/466489-020	Petrichor
8I821/466489-021	Exotic
8I822/466489-022	Fauna
8I823/466489-023	Calabash
8I824/466489-024	Fuscous
8I825/466489-025	Wildling
8I826/466489-026	Blitz
8I827/466489-027	Allspice
8I828/466489-028	Lumos
8I829/466489-029	Pilot
8I830/466489-030	Jukebox
8I831/466489-031	Dugout
8I832/466489-032	Claret
8I833/466489-033	Flamenco

Mode – Maharam	
54" wide	
80% post-consumer recycled polyester	
20% polyester	
PFOA-Free stain resistant finish	

Mode continued	
ZMD01/466337-001	Stroll
ZMD02/466337-002	Intaglio
ZMD03/466337-003	Ominous
ZMD04/466337-004	Machine
ZMD05/466337-005	Talus
ZMD06/466337-006	Marsh
ZMD07/466337-007	Hollow
ZMD08/466337-008	Sycamore
ZMD09/466337-009	Clavicle
ZMD10/466337-010	Billygoat
ZMD11/466337-011	Spindle
ZMD12/466337-012	Lemon
ZMD13/466337-013	Oxeye
ZMD14/466337-014	Henge
ZMD15/466337-015	Goldenrod
ZMD16/466337-016	Cottontail
ZMD17/466337-017	Lioness
ZMD18/466337-018	Oriole
ZMD19/466337-019	Rust
ZMD20/466337-020	Carotene
ZMD21/466337-021	Blush
ZMD22/466337-022	Vermillion
ZMD23/466337-023	Alder
ZMD24/466337-024	Kermes
ZMD25/466337-025	Barberry
ZMD26/466337-026	Petal
ZMD27/466337-027	Valley
ZMD28/466337-028	Odyssey
ZMD29/466337-029	Ballpoint
ZMD30/466337-030	Toile
ZMD31/466337-031	Paradise
ZMD32/466337-032	Angelfish
ZMD33/466337-033	Denim
ZMD34/466337-034	Crush
ZMD35/466337-035	Jetty
ZMD36/466337-036	Saltwater
ZMD37/466337-037	Mallard
ZMD38/466337-038	Celtic
ZMD39/466337-039	Eucalyptus
ZMD40/466337-040	Bonsai
ZMD41/466337-041	Sassafras
ZMD42/466337-042	Yucca
ZMD43/466337-043	Lichen

- Maharam textiles are on assigned lead times **A** unless otherwise noted.
- Fabric numbers are listed as Herman Miller fabric number/Maharam fabric number.

# Maharam® Colors – Seating

continued

## Price Category E

Article – Maharam
54" wide
100% vinyl
ZAT08/458600-008 Marina
ZAT13/458600-013 Flume
ZAT14/458600-014 Storm
ZAT15/458600-015 Toast
ZAT19/458600-019 Fleece
ZAT22/458600-022 Stone
ZAT26/458600-026 Mercury
ZAT29/458600-029 Bluegrass
ZAT31/458600-031 Truffle
ZAT32/458600-032 Gravel
ZAT33/458600-033 Value
ZAT34/458600-034 Tint
ZAT35/458600-035 Snowflake
ZAT36/458600-036 Chalice
ZAT37/458600-037 Trail
ZAT38/458600-038 Pyramid
ZAT39/458600-039 Desert
ZAT40/458600-040 Lei
ZAT41/458600-041 Rouge
ZAT42/458600-042 Karma
ZAT43/458600-043 Opal
ZAT44/458600-044 Periwinkle
ZAT45/458600-045 Vampire
ZAT46/458600-046 Surf
ZAT47/458600-047 Plumage
Dwell - Maharam
54" wide
68% post-industrial recycled polyester
32% post-consumer recycled polyester
PFOA-Free stain resistant
Latex backing
89601/466419-001 Sesame
89602/466419-002 Summit
89603/466419-003 Freeze
89604/466419-004 Poolside
89605/466419-005 Teal
89606/466419-006 Mojito
89607/466419-007 Lizard

Dwell continued
89608/466419-008 Thunder
89609/466419-009 Foil
89611/466419-011 Firecracker
Pick - Maharam
58" wide
100% polyester
with stain resistant finish
ZP201/466224-001 001
ZP202/466224-002 002
ZP203/466224-003 003
ZP204/466224-004 004
ZP205/466224-005 005
ZP206/466224-006 006
ZP207/466224-007 007
ZP208/466224-008 008
ZP209/466224-009 009
ZP210/466224-010 010
Roster - Maharam
54" wide
68% post-consumer recycled polyester
32% polyester
PFOA-Free stain resistant
Acrylic backing
ZR201/466445-001 Jacana
ZR202/466445-002 Wythe
ZR203/466445-003 Grosgrain
ZR204/466445-004 Ceremony
ZR205/466445-005 Breton
ZR206/466445-006 Frigate
Technic - Maharam
56" wide
60% post-industrial recycled polyester
40% post-consumer recycled polyester
PFOA-Free stain resistant finish
Acrylic backing
ZT301/466226-001 Cumin
ZT302/466226-002 Evergreen
ZT303/466226-003 Cobalt
ZT305/466226-005 Squirrel

## Price Category F

Apt – Maharam
54" wide
100% polyurethane/silicone
Ink-resistant protective top coat
Polyester backing
82T12/466392-012 Iris
82T13/466392-013 Nocturnal
82T14/466392-014 Fluid
82T15/466392-015 Eden
82T16/466392-016 Galactic
82T17/466392-017 Shoreline
82T18/466392-018 Jade
82T19/466392-019 Garden
82T20/466392-020 Botanic
82T21/466392-021 Chartreuse
82T23/466392-023 Lyric
82T24/466392-024 Turmeric
82T25/466392-025 Bengal
82T26/466392-026 Core
82T27/466392-027 Mantle
82T28/466392-028 Sorbet
82T32/466392-032 Oak
82T33/466392-033 Castle
82T34/466392-034 Follow
82T35/466392-035 Elixir
82T36/466392-036 Charm
82T37/466392-037 Descend
82T38/466392-009 Sketch
82T39/466392-010 Glacier
82T40/466392-031 Fortress
82T41/466392-030 Lotus
82T42/466392-001 Coconut
82T43/466392-011 Cobblestone
82T44/466392-029 Bloom
82T45/466392-022 Crepe
82T46/466392-006 Hickory
82T47/466392-007 Constellation
82T48/466392-008 Labyrinth
82T49/466392-002 Vibe
82T50/466392-003 Stampede
82T51/466392-004 Lumber
82T52/466392-005 Gingerbread

Brindle - Maharam
58" wide
100% polyester
PFOA-free stain resistant
Acrylic backing
87101/466418-001 Calico
87102/466418-002 Mauve
87103/466418-003 Torch
87104/466418-004 Burnt
87105/466418-005 Barn
87106/466418-006 Pharaoh
87107/466418-007 Sandbur
87108/466418-008 Jungle
87109/466418-009 Inland
87110/466418-009 Seagrass
87111/466418-009 Watercolor
87112/466418-009 Aquarium
87113/466418-009 Drill
Conduit - Maharam
58" wide
100% polyester
PFOA-free stain resistant
Acrylic backing
87Z01/466428-001 Space
87Z02/466428-002 Syrup
87Z03/466428-003 Nimbus
87Z04/466428-004 Greystone
87Z05/466428-005 Fawn
87Z06/466428-006 Ghost
87Z07/466428-007 Caribbean
87Z08/466428-008 Canal
87Z09/466428-009 Bonfire

Price category F continued on next page

Appendix: Maharam Colors – Seating

- Maharam textiles are on assigned lead times **A** unless otherwise noted.
- Fabric numbers are listed as Herman Miller fabric number/Maharam fabric number.

# Maharam® Colors — Seating

continued

## Price Category F

continued

Appendix: Maharam Colors — Seating

Instill – Maharam	Keen - Maharam	Loop - Maharam	Pepper - Maharam
54" wide	54" wide	57" wide	58" wide
100% polyurethane	61% polyester	48% post-industrial recycled polyester	49% polyester
Ink-resistant protective top coat	39% polyolefin	26% polyester	41% post-industrial recycled polyester
Polyester backing	PFOA-Free stain resistant	26% post-consumer recycled polyester	10% post-consumer recycled polyester
74M01/466351-001 Page	Acrylic backing	PFOA-Free stain resistant	PFOA-Free stain resistant
74M02/466351-002 Limestone	89N01/466433-001 Gaur	Acrylic Backing	Acrylic Backing
74M03/466351-003 Bobwhite	89N02/466433-002 Lock	ZLL01/466469-001 Opossum	8LW01/466486-001 Dojo
74M04/466351-004 Loafer	89N03/466433-003 Elk	ZLL02/466469-002 Foundation	8LW02/466486-002 Marengo
74M05/466351-005 Moor	89N04/466433-004 Oatmeal	ZLL03/466469-003 Naval	8LW03/466486-003 Harlequin
74M06/466351-006 Barley	89N05/466433-005 Lakefront	ZLL04/466469-004 Buoyant	8LW04/466486-004 Pavlova
74M07/466351-007 Shaker	89N06/466433-006 Argent	ZLL05/466469-005 Mockingbird	8LW05/466486-005 Sedona
74M08/466351-008 Doe	89N07/466433-007 Coyote	ZLL06/466469-006 Dynasty	8LW06/466486-006 Achiote
74M09/466351-009 Ride	89N08/466433-008 Eventide	ZLL07/466469-007 Zori	8LW07/466486-007 Essence
74M10/466351-010 Squire	89N09/466433-009 Canal	ZLL08/466469-008 Wildfire	8LW08/466486-008 Genome
74M11/466351-011 Tannin	89N10/466433-010 Rosemary	ZLL09/466469-009 Floral	8LW09/466486-009 Myriad
74M12/466351-012 Vitis	89N11/466433-011 Herb	ZLL10/466469-010 Penguin	8LW10/466486-010 Terrarium
74M13/466351-013 Sonar	89N12/466433-012 Ruby		
74M14/466351-014 Quail	89N13/466433-013 Loganberry		
74M15/466351-015 Brittanica		<b>Multiply - Maharam</b>	<b>Plait - Maharam</b>
74M16/466351-016 Narwhal	<b>Ledger – Maharam</b>	58" wide	58" wide
74M17/466351-017 Synth	54" wide	57% post-consumer recycled polyester	68% recycled polyester
74M18/466351-018 Stowaway	100% polyurethane	43% post-industrial recycled polyester	32% polyester
74M19/466351-019 Koala	V9G1/463770-001 001	PFOA-Free stain resistant	Z2901/466052-001 Cobblestone
74M20/466351-020 Dorsal	V9G2/463770-002 002	Acrylic Backing	Z2905/466052-005 Sequoia
74M21/466351-021 Stealth	V9G3/463770-003 003	82A01/466341-001 Winter	Z2908/466052-008 Reef
	V9G4/463770-004 004	82A02/466341-002 Encore	Z2909/466052-009 Stormy
	V9GG/463770-017 017	82A03/466341-003 Swing	Z2910/466052-010 Dapper
	V9GQ/463770-025 025	82A04/466341-004 Contrast	
	V9GS/463770-026 026	82A05/466341-005 Sterling	<b>Runner Standard - Maharam</b>
	V9GU/463770-028 028	82A06/466341-006 Daze	58" wide
	V9GV/463770-029 029	82A07/466341-007 Sway	57% post-industrial recycled polyester
	V9GW/463770-030 030	82A08/466341-008 Sailor	43% post-consumer recycled polyester
	V9GX/463770-031 031	82A09/466341-009 Mystique	ZRA07/466167-007 Bluff
	V9GY/463770-032 032	82A10/466341-010 Deep	ZRA09/466167-009 Grove
	V9G13/463770-037 037	82A11/466341-011 Craft	ZRA10/466167-010 Starboard
	V9G17/463770-041 041	82A12/466341-012 Town	ZRA12/466167-012 Carousel
	V9G18/463770-042 042	82A13/466341-013 Limit	
	V9G19/463770-043 043	82A14/466341-014 Tamale	
	V9G20/463770-044 044		
	V9G21/463770-045 045		
	V9G22/463770-046 046		

Price category F continued on next page

- Maharam textiles are on assigned lead times **A** unless otherwise noted.
- Fabric numbers are listed as Herman Miller fabric number/Maharam fabric number.



# Maharam® Colors — Seating

continued

## Price Category F

continued

Sequence - Maharam
54" wide
100% solution-dyed polyolefin with silver-based antimicrobial
Z3101/466179-001 Driftwood
Z3104/466179-004 Alfresco
Z3105/466179-005 Plunge
Z3106/466179-006 Starboard
Z3107/466179-007 Veranda
Z3109/466179-009 Flare

Strum - Maharam
54" wide
100% polyurethane with silver-based antimicrobial
Z3301/466122-001 Overcast
Z3302/466122-002 Ridge
Z3304/466122-004 Pigeon
Z3307/466122-007 Bur
Z3308/466122-008 Abalone
Z3311/466122-011 Wheat
Z3312/466122-012 Lemongrass

## Price Category G

Bushel by Lisa Scull - Maharam
54" wide
45% solution-dyed nylon
45% solution-dyed post-industrial recycled nylon
9% polyester
1% polyolefin
Acrylic backing
ZBU01/466490-001 Enchant
ZBU02/466490-002 Flurry
ZBU03/466490-003 Oxygen
ZBU04/466490-004 Vortex
ZBU05/466490-005 Loon
ZBU06/466490-006 Maverick
ZBU07/466490-007 Hadron
ZBU08/466490-008 Spirulina
ZBU09/466490-009 Environ
ZBU10/466490-010 Rotunda
ZBU11/466490-011 Caraway

Chassis by Lisa Scull - Maharam
54" wide
50% solution-dyed nylon
50% solution-dyed post-industrial recycled nylon
PFOA-Free stain resistant
Acrylic backing
8GI01/466458-001 Locomotive
8GI02/466458-002 Owl
8GI03/466458-003 Minuet
8GI04/466458-004 Galax
8GI05/466458-005 Stratus
8GI06/466458-006 Cape
8GI07/466458-007 Cirrus
8GI08/466458-008 Inlet
8GI09/466458-009 Petrol
8GI10/466458-010 Peppermint
8GI11/466458-011 Hemic

Compound - Maharam
54" wide
100% polyurethane silane-based antimicrobial
ZC201/466196-001 001
ZC203/466196-003 003
ZC204/466196-004 004
ZC205/466196-005 005
ZC206/466196-006 006
ZC207/466196-007 007
ZC208/466196-008 008
ZC209/466196-009 009
ZC210/466196-010 010
ZC211/466196-011 011
ZC212/466196-012 012
ZC213/466196-013 013
ZC214/466196-014 014
ZC215/466196-015 015
ZC216/466196-016 016
ZC217/466196-017 017
ZC218/466196-018 018
ZC219/466196-019 019

Emboss - Maharam
54" wide
100% polyurethane Polyester backing
ZEM01/466281-001 Bronze
ZEM02/466281-002 Brass
ZEM03/466281-003 Gold
ZEM04/466281-004 Platinum
ZEM09/466281-009 Ultraviolet
ZEM10/466281-010 Copper
ZEM11/466281-011 Molten

Fold - Maharam
54" wide
100% polyurethane Polyester backing
ZF101/466292-001 Jet
ZF102/466292-002 Chalk
ZF103/466292-003 Smoke
ZF104/466292-004 Putty
ZF105/466292-005 Fatigue
ZF106/466292-006 Splash
ZF107/466292-007 Apple
ZF108/466292-008 Moss
ZF109/466292-009 Graphite
ZF110/466292-010 Midnight

Gild - Maharam
54" wide
100% non-phthalate vinyl Ink-resistant protective top coat Polyester backing
8AR01/466432-005 Grapevine
8AR02/466432-009 Frosting
8AR03/466432-007 Smokey
8AR04/466432-003 Skylight
8AR05/466432-011 Sandstone
8AR06/466432-004 Hurricane
8AR07/466432-002 Wreath
8AR08/466432-001 Rainforest
8AR09/466432-012 Fudge
8AR10/466432-010 Lantern
8AR11/466432-006 Planet
8AR12/466432-008 Reflection

Price category G continued on next page

- Maharam textiles are on assigned lead times A unless otherwise noted.
- Fabric numbers are listed as Herman Miller fabric number/Maharam fabric number.

# Maharam® Colors — Seating

continued

## Price Category G

continued

Pare — Maharam
54" wide
52% wool
26% polyester
22% nylon
PFOA-free stain resistant finish
ZPR01/466359-001 Polaris
ZPR02/466359-002 Mountain
ZPR03/466359-003 Mineral
ZPR04/466359-004 Fresco
ZPR06/466359-006 Wink
ZPR07/466359-007 Concord
ZPR08/466359-008 Strawberry
ZPR09/466359-009 Solar
ZPR10/466359-010 Amulet
ZPR11/466359-011 Zest
ZPR12/466359-012 Elmwood
ZPR13/466359-013 Thyme
ZPR14/466359-014 Frost
ZPR16/466359-016 Denim
ZPR17/466359-017 Blueberry

Pick Crypton - Maharam
54" wide
100% polyester
Crypton finish and backing
ZP103/466235-003 Slate
ZP105/466235-005 Pepper
ZP107/466235-007 Fresh
ZP108/466235-008 Cool
ZP109/466235-009 Ink

Runner - Maharam
54" wide
57% post-industrial recycled polyester
43% post-consumer recycled polyester
ZRF01/466108-001 Bluff
ZRF03/466108-003 Grove
ZRF04/466108-004 Starboard
ZRF05/466108-005 Plot
ZRF06/466108-006 Carousel

Sheen - Maharam
54" wide
100% polyurethane with silane-based antimicrobial
ZSN02/466246-002 Silver
ZSN03/466246-003 Pewter
ZSN04/466246-004 Hearth
ZSN05/466246-005 Fern
ZSN07/466246-007 Cricket
ZSN09/466246-009 Mystic
ZSN10/466246-010 Vat
ZSN11/466246-011 Huckleberry
ZSN16/466246-016 Kumquat
ZSN17/466246-017 Cinnamon
ZSN18/466246-018 Alder

Waver - Maharam
54" wide
50% solution-dyed nylon
50% solution-dyed post-industrial recycled nylon
PFOA-Free stain resistant
Acrylic backing
8DW01/466459-001 Mingle
8DW02/466459-002 Numinous
8DW03/466459-003 Gale
8DW04/466459-004 Dual
8DW05/466459-005 Azure
8DW06/466459-006 Wash
8DW07/466459-007 Magpie
8DW08/466459-008 Steller
8DW09/466459-009 Peony
8DW10/466459-010 Kermes
8DW11/466459-011 Oar

## Price Category H

Circles — Maharam
55" wide
70% cotton
30% polyester
ZT01/458310-001 Khaki
ZT02/458310-002 Fatigue
ZT03/458310-003 Document
ZT04/458310-004 Engine
ZT05/458310-005 Charcoal

Crosspatch — Maharam
54" wide
75% rayon
25% polyester
ZS01/458920-001 Song

Dot Pattern — Maharam
55" wide
71% cotton
29% polyester
ZK01/458300-001 Document
ZK02/458300-002 Taupe
ZK04/458300-004 Red
ZK05/458300-005 Navy

Offset — Maharam
54" wide
40% cotton
36% nylon
24% wool
ZQF01/465951-001 Passage
ZQF02/465951-002 Fieldstone
ZQF03/465951-003 Coast
ZQF04/465951-004 Esplanade
ZQF05/465951-005 Oasis
ZQF06/465951-006 Spice
ZQF07/465951-007 Bloom

Price category H continued on next page

- Maharam textiles are on assigned lead times A unless otherwise noted.
- Fabric numbers are listed as Herman Miller fabric number/Maharam fabric number.

# Maharam® Colors — Seating

continued

## Price Category H

continued

### Pocket - Maharam

54" wide  
76% recycled polyester  
24% nylon  
ZP301/466243-001 001  
ZP303/466243-003 003  
ZP305/466243-005 005  
ZP307/466243-007 007

### Small Dot Pattern — Maharam

55" wide  
71% cotton  
29% polyester  
ZL01/458320-001 Document  
ZL02/458320-002 Sand  
ZL03/458320-003 Khaki  
ZL04/458320-004 Taupe  
ZL05/458320-005 Charcoal  
ZL06/458320-006 Document  
Reverse  
ZL07/458320-007 Red  
ZL08/458320-008 Yellow  
ZL09/458320-009 Green

## Price Category I

### Cursive — Maharam

54" wide  
67% solution-dyed acrylic  
33% solution-dyed polyester  
PFOA-Free stain resistant  
7CW01/466335-001 Fast  
7CW03/466335-003 Beachcomb  
7CW05/466335-005 Swift  
7CW07/466335-007 Inkwell  
7CW08/466335-008 Rubber

### Study - Maharam

54" wide  
73% solution-dyed acrylic  
27% solution-dyed polyester  
ZSY01/466269-001 001  
ZSY02/466269-002 002  
ZSY03/466269-003 003  
ZSY04/466269-004 004  
ZSY05/466269-005 005

### Teatro - Maharam

55" wide  
100% polyester  
Polyester/Cotton backing  
ZT201/466309-001 Crumb  
ZT203/466309-003 Herd  
ZT206/466309-006 Heat  
ZT207/466309-007 Caspian  
ZT209/466309-009 Boulder  
ZT210/466309-010 Elixir  
ZT211/466309-011 Guard  
ZT212/466309-012 Throne

## Price Category J-K

No fabrics available at this time.

## Price Category L

### Minicheck - Maharam

55" wide  
78% cotton  
22% polyester  
PFOA-Free stain resistant finish  
ZMK01/466268-001 Black/  
White

- Maharam textiles are on assigned lead times **A** unless otherwise noted.
- Fabric numbers are listed as Herman Miller fabric number/Maharam fabric number.

# Maharam® Colors — Seating

continued

---

## Price Category M

---

## Price Category N-Z

Appendix: Maharam Colors — Seating

### Fruit - Maharam

54" wide  
55% cotton  
32% nylon  
13% post-consumer recycled polyester  
PFOA-Free stain resistant finish  
Acrylic backing  
ZF201/466262-001 Opal  
ZF202/466262-002 Lime  
ZF203/466262-003 Olive  
ZF204/466262-004 Sky  
ZF207/466262-007 Russet

No fabrics available at this time.

- Maharam textiles are on assigned lead times **A** unless otherwise noted.
- Fabric numbers are listed as Herman Miller fabric number/Maharam fabric number.



For more information about our products and services or to see a list of dealers, please visit us at [HermanMiller.com](http://HermanMiller.com) or call (800) 851 1196.

© 2022 Herman Miller, Inc., Zeeland, Michigan

#### Distribution Rights

Working together since 1956, Herman Miller and Vitra are the authentic sources of designs by Charles and Ray Eames, Alexander Girard, and George Nelson. All the designs shown in this book are protected by law. Herman Miller has obtained all rights to make and sell these designs. Also, Herman Miller holds exclusive worldwide manufacturing and distribution rights for these products with the following exceptions:

Charles and Ray Eames, George Nelson, and Alexander Girard—Worldwide distribution rights for furniture in all areas except Europe and the Middle East. For those areas, please contact Vitra.

Isamu Noguchi—Worldwide distribution rights for the Noguchi Rudder Table. Distribution rights for the Noguchi Table in North America and Central America only. For all other areas, please contact Vitra.

Magis—Exclusive distribution rights in the US and Canada. For all other areas, please contact Magis.

© HermanMiller, 3D Intelligent, AO, Action Office, Aeron, ArcSpan, Aside, Avall, Bubble Lamps, Canvas Office Landscape, Caper, Celle, Cosm, Co/Struc, Daisyone, Distil, Eames, Eco-Dematerialized, Embody, Envelop, Ethospace, Exclave, Fine-Tune, FlexFront, Flo, Formcoat, Formwork, Ground Cloth, Herman Miller for the Home, Herman Miller for Healthcare, Intersect, Kinemat, Layout Studio, Lifework, Limerick, Lino, Live Unframed, Living Office, Maharam, Meridian, Mirra, Motia, Nelson, Pellicle, Perspectives, Plex, PostureFit, PostureFit SL, Prospects, Public Office Landscape, Resolve, Rodney, Sayl, Setu, Tu, Ubi, Verus, Wishbone, and Y-Tower are among the registered trademarks of Herman Miller, Inc., and its owned subsidiaries.

8Z Pellicle, About Face, AireWeave, Albert, Ambit, Backfit, Bubleback, Burdick Group, Butterfly Back, Cellular Suspension, Clam, Commend, Compass, Connect, DOT, Duracare, Durawrap, EnhancedAccess, Everywhere, Flex-Edge, Flute, Harmonic, Headway, Herman Miller Select, Hopsak 2, Intent, Iota, Jaw, Keyless Entry, Keyn Chair Group by Herman Miller, Latitude, Locale, Logic Mini, Logic Power Access Solutions, Live Platform, Loop, Lyris, Lyris 2, Made-to-Measure Storage, Mora, Multiscrim, Nevi, OE1 Workspace Collection, Overlay, Pari, Pixelated Support, Pronta Stacking Chairs by Herman Miller, Prospect, Renew, Sense, Soft Pad, Stackable, Stackable Storage, Striad, Swoop, Thrive, Tone, TriFlex, Twist, Vista, Wireframe, and Zeph are among the trademarks of Herman Miller, Inc., and its owned subsidiaries.

SM Herman Miller Options is among the service marks of Herman Miller, Inc.

AAP™ is a trademark of Extron Electronics.

Alexander Girard® is a registered trademark of The Alexander Girard Estate.

Chemsurf® is a registered trademark of Wilsonart International.

Corian® is a registered trademark of E. I. du Pont de Nemours and Company Corporation.

Crypton® is a registered trademark of Crypton, Inc.

DACRON® is a registered trademark of INVISTA S.a.r.l.

Danzer® is a registered trademark of Danzer Holding AG.

Decora® is a registered trademark of Leviton Manufacturing Co., Inc.

Edelman® Leather is a registered trademark of Edelman Leather, Inc.

Extron® is a registered trademark of RGB Systems, Inc.

FENIX NTM® is a registered trademark of Arpa Industriale S.p.A.

FLEXNET™ is a trademark of Milliken & Company.

Floor Saver Glide® is a registered trademark of Carpin Manufacturing, Inc.

Forest Stewardship Council® is a registered trademark of the Forest Stewardship Council A.C. (FSC). We are FSC® certified (FSC® C102895).

FSC® is a registered trademark of the Forest Stewardship Council A.C. (FSC).

Geiger® is a registered trademark, and Bumper™, Saiba™, and Ward Bennett™ are trademarks, of Geiger International.

Hang-It-All® is a registered trademark of Lucia Eames Demetrios, d.b.a. Eames Office.

Holophane® is a registered trademark of Holophane.

Ingeo™ is a trademark of Cargill Dow LLC.

iPad® and Mac mini® are registered trademarks of Apple Inc.

Leviton® is a registered trademark of Leviton Manufacturing Co., Inc.

LifeSize® is a registered trademark of LifeSize Communications, Inc.

Logitech G® is a registered trademark of Logitech International S.A.

Magis®, Bombo®, and Me Too® are registered trademarks of Magis S.p.A.

MicrobeCare™ is a trademark of Parasol Medical LLC.

Microsoft® and Natural® Keyboard are registered trademarks of Microsoft Corporation.

Noguchi® and the Noguchi table configuration (trade dress) are registered trademarks, and Rudder Table™ is a trademark, of The Isamu Noguchi Foundation and Garden Museum.

Place Textiles® is a registered trademark of Place Textiles.

Sunbrella® is a registered trademark of Glen Raven, Inc.

SuperSeat™ is a trademark of Dahti Seating, a division of ITW.

Valor™ and Whisk™ are among the trademarks owned by Nemschoff, Inc.