

RAJ-8K Series

Rolling Bridge Jacks

8,000 lb. Capacity
(High Mount & Low Mount)



RAJ-8K-H (High Mount)



RAJ-8K-L (Low Mount)

ASSEMBLY & OPERATION INSTRUCTION MANUAL

TABLE OF CONTENTS

Specifications.....	2 - 3
Description & Features.....	4
Installation Instructions.....	4
Safety Instructions.....	5
Operating Instructions.....	5
Maintenance Instructions.....	6
Trouble Shooting.....	6
Exploded View.....	7
Parts List.....	8 - 9
Warranty.....	10

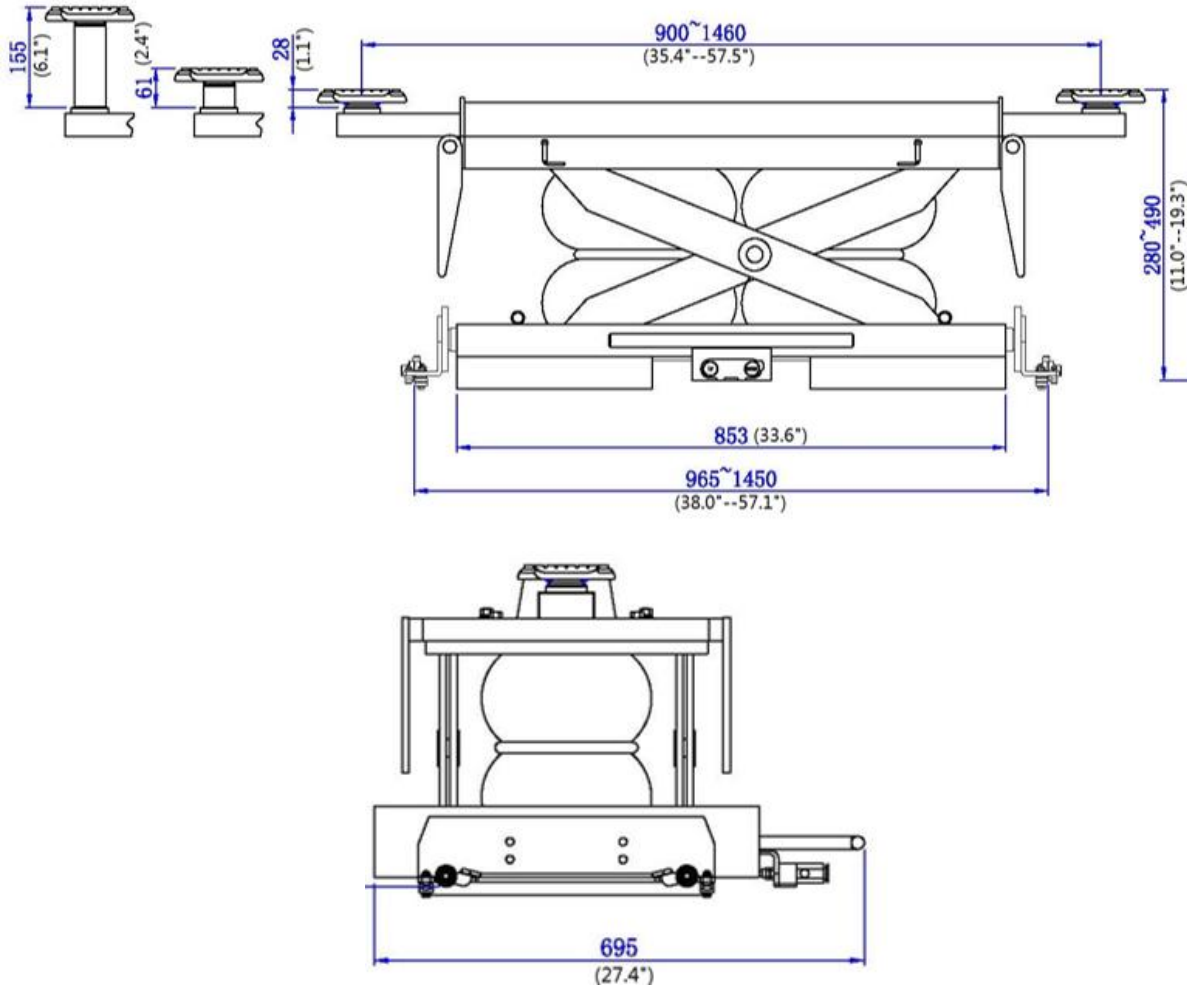
SPECIFICATIONS

Model Number: RAJ-8K-H

Max Capacity	Size L x W x H	*Height (Min/Max)	Pad Width (Min/Max)	Roller Body Asy Width (Min/Max)
8,000 lbs.	27.4+x 39+x 11+	11+- 19.3+	35.4+- 57.5+	38.4+- 57.1+

* Height Adaptors Not Included & Roller Body Slider Bars positioned to Upper Tubes

Net Weight: 396 lbs. / **Gross Weight:** 430 lbs.

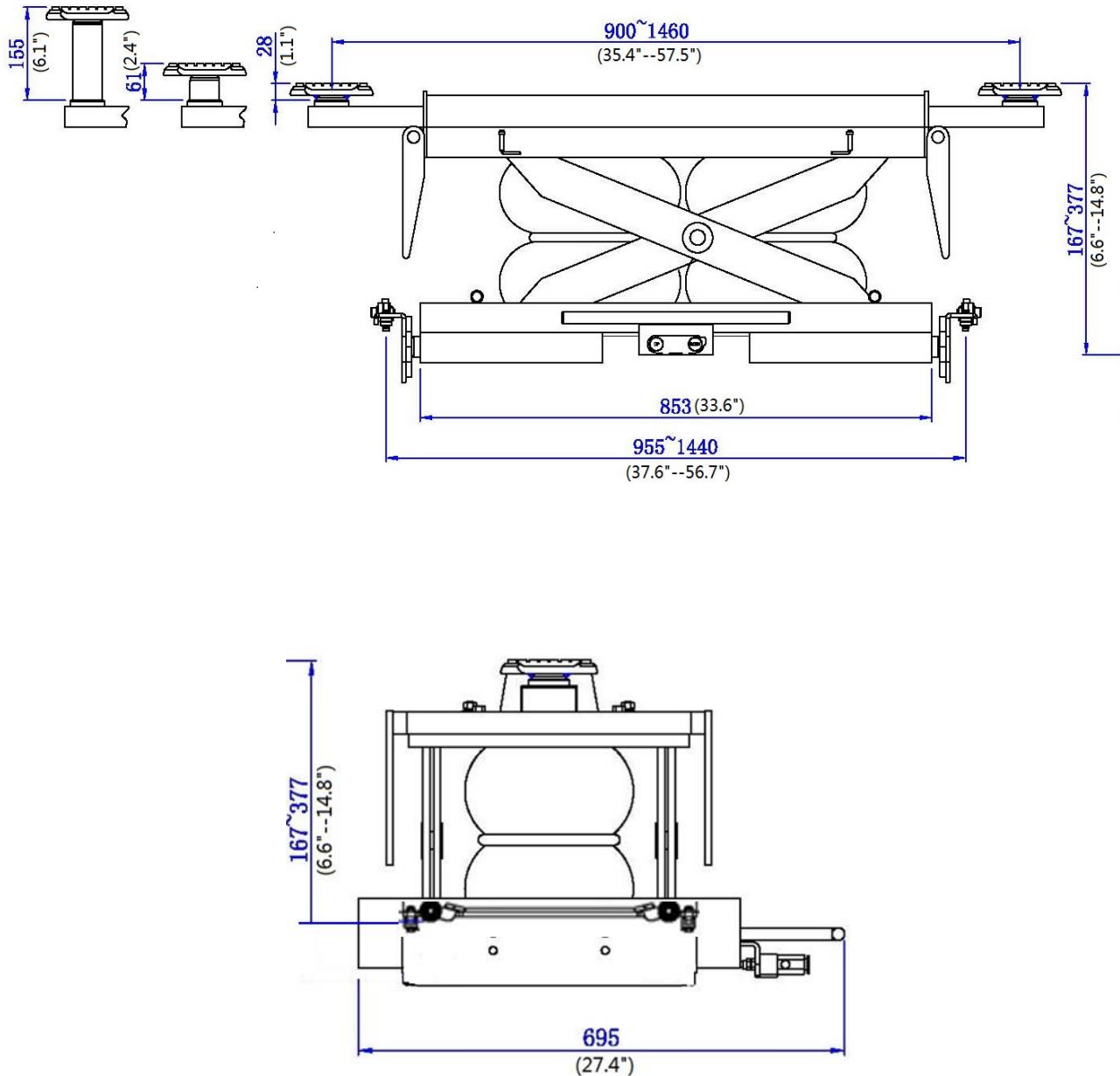


Model Numbers: RAJ-8K-L

Max Capacity	Size L x W x H	*Height (Min/Max)	Pad Width (Min/Max)	Roller Body Asy Width (Min/Max)
8,000 lbs.	27.4+x 38.5+x 6.6+	6.6+- 14.8+	35.4+- 57.5+	38.4+- 57.1+

* Height Adaptors Not Included & Slider Bars positioned to Lower Tubes

Net Weight: 396 lbs. / **Gross Weight:** 430 lbs.



DESCRIPTION

This RAJ-8K-H & RAJ-8K-L Rolling Jacks are pneumatic, dual air bag, scissor-style rolling bridge jacks, designed to be mounted on four post or scissor lift jack rails, between runways. Both models are capable of lifting the wheels off runways to provide wheels free service for brake, suspension, tire repairs and maintenance.

The universal adjustable Roller Body design comes in both high & low mount model configurations for low & high jack rail designs. The Roller Body Wheels are designed to track on the top edge of the Jack Rails for smooth operation.

FEATURES

- A. Lifting capacity of the RAJ-8K Rolling Jacks are 8,000 lbs. (3629 kg).
 - B. The RAJ-8K roller body assembly wheels are adjustable for an inside runway width of 37.6" (955 mm) minimum to a 56.7+(1440 mm) maximum.
 - C. The RAJ-8K Rolling Jacks are equipped with (1) pair of rubber contact pad adaptors & (2) pairs of height extension adaptors of 1-5/16" & 5" to allow for differ contact pad heights.
 - D. The RAJ-8K jack is equipped with a locking latch assembly that will lock at one position that is released by actuating the lock handle
- The RAJ-8K Rolling Jacks are equipped with a locking latch mechanism that will lock at one position which is released by actuating the lock release lever.
- E. The RAJ-8K Rolling Jacks are maneuvered on four (4) heavy duty rolling bearing wheels. Actual vehicle load is transferred to the jack roller body assembly spring bars, which engages the runways jack rails to secure jack from moving, while under load.

INSTALLATION INSTRUCTIONS

1. Carefully remove rolling jack from crate package.
2. Attach 1/4" NPT male H-style air fitting (not supplied) into side of air valve body, beside the Green air inlet button.
3. The pneumatic dual air bag jack requires 120 to 145 psi of compressed air pressure for proper operation. A FLR (filter, lubricator & regulator) is recommended for the air supply line for proper & extended operation.
4. Slide out the roller body assembly extensions on both sides to match the width between the runways.
5. Carefully lift & position rolling jack on the rails of the runways, while ensuring to center the jack between runways. Ensure rollers are centered on top of jack rails & side rollers are adjusted to side of jack rails.
6. Raise jack to full height by using compressed air & pressing the Green air inlet button. Check for any air leaks, tighten fittings & air hose connections, if required.
7. Lower the jack by pressing the Red air exhaust button on the valve body, while ensuring the latches are positioned in the upward position. (See Operation & Safety Instructions, next page.)

NOTE: Make sure jack can roll freely on jack rails and all side 'guide' rollers are in contact with jack rails.

SAFETY INSTRUCTIONS

- **Never allow unauthorized or untrained persons to operate the rolling jack.**
- **Thoroughly train all employees in the use and care of rolling jack.**
- **Never Overload Rolling Jack(s).** Weight capacity of the rolling jack is stated on the nameplate and should not be exceeded.
- **Observe and avoid any pinch point areas of the linkage mechanism.**

OPERATING INSTRUCTIONS

WARNING!!!

To avoid personal injury and/or property damage, permit only trained personnel to operate jack.

After reviewing these instructions, get familiar with jack controls by running the jack through a few cycles before loading vehicle on jack. Observe and avoid any pinch point areas of the linkage mechanism.

1. Before loading a vehicle onto lift, ensure jack(s) are fully lowered. Make sure the rubber blocks are in their most inbound position. Also ensure the jack(s) is (are) pushed toward the center of lift before driving vehicle on or off lift. This will provide maximum vehicle clearance when loading and unloading vehicles.
2. After vehicle has been loaded, chock tires on the opposite side in which the rolling jack is to be used. If two rolling jacks are to be used, chock the tires on the opposite side of the rolling jack to be raised first.

WARNING! Engage runway locks before raising vehicle on jacks! **DO NOT** operate lift while jacks are engaged to a vehicle!

3. Place jack under vehicle at manufacturer's recommended pick-up points. Pull out the arms to the proper pick-up points. Take up most of the clearance by using the provided height extensions.

CAUTION! Allow 12" minimum clearance between vehicle and nearest overhead obstruction before raising vehicle above runways. Failure to comply could damage vehicle and/or cause personal injury.

4. **To Raise Rolling Jack:** Depress the Green **UP** button until the jack is raised to the lock position, followed by pressing the **Release** lever on pump to lower jack onto locks.

CAUTION! Ensure both Latch Sets pivot freely & are not being held in disengaged position.

5. **To Lower Rolling Jack:** Slightly raise jack to release off locks, followed by moving both Latch Sets to an upward position. Secure Latch Sets to disengaged position by placing Latch Pins under both Latch Sets, followed by depressing the Red **DOWN** button to fully lower the jack.

WARNING! Never Raise Jack with Latch Sets being held in the disengaged positions. Failure to do so could cause injury or damages to the vehicle or lift.

CAUTION! Always fully lower jack to prevent damages to the vehicle or lift.

MAINTENANCE INSTRUCTIONS

WARNING! If you are not completely familiar with automotive lift maintenance procedure, please contact your distributor for instructions before any practice.

TO AVOID PERSONAL INJURY, permit only qualified personnel to perform maintenance on this equipment.

Daily:

- Inspect rolling jack rubber pads & height extensions for damages or excessive wear.
- Inspect pneumatic system for air leaks.
- Inspect for loose bolts, broken/damaged components.
- Inspect latches for damage, wear, and tear.

Monthly:

- Inspect the roller body assemblies for proper tracking and for damages and/or excessive wear.

NOTE: Repair / Replace as required, only with original equipment parts.

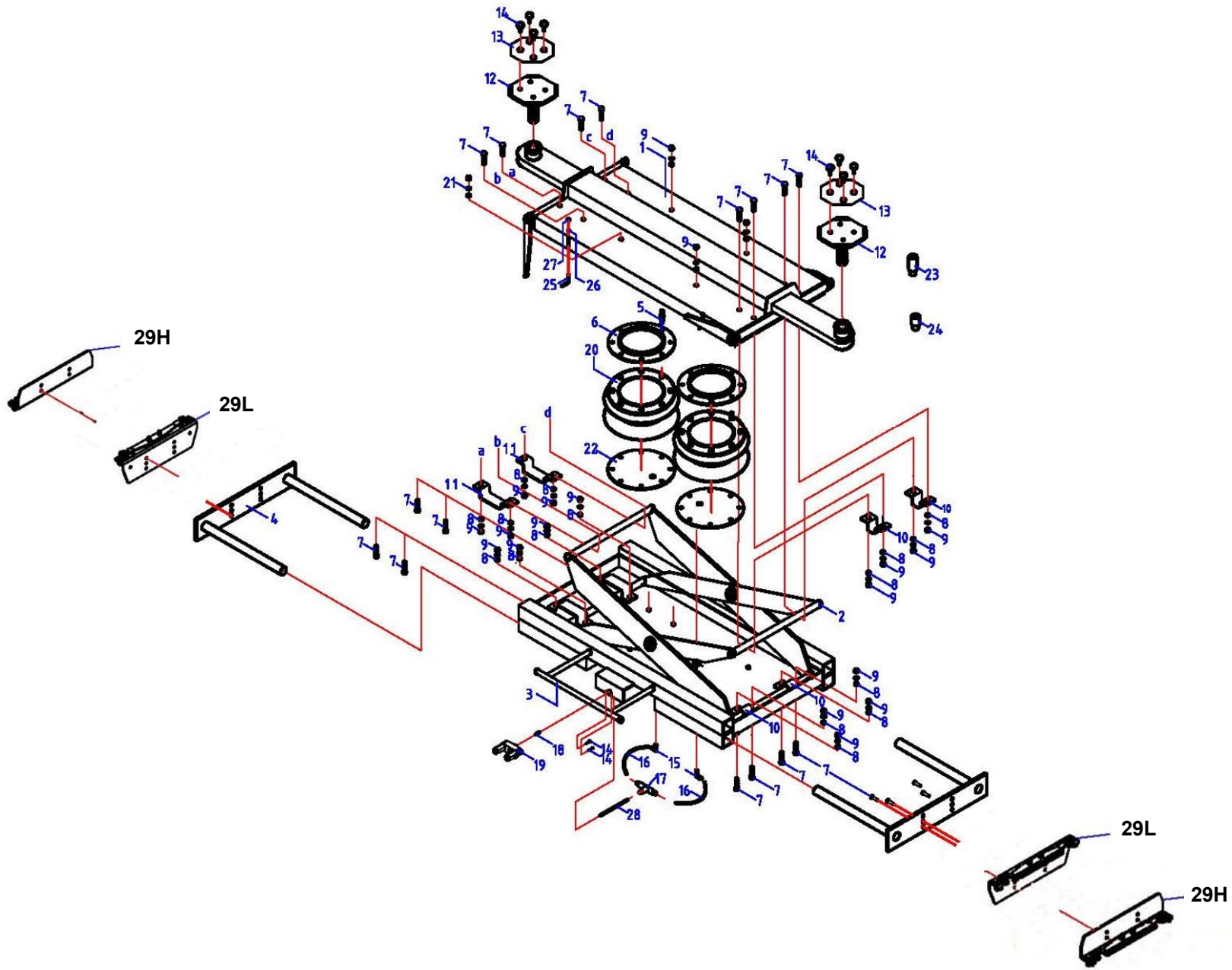
TROUBLE SHOOTING

TROUBLE	CAUSE	REMEDY
<i>Rolling Jack will not raise after contacting load.</i>	1. Jack loaded beyond capacity.	1. Use Jack only to rated capacity.
	2. The pressure of compressed air is low.	2. Use compressed air with 120 psi pressure minimally.
	3. Air leakage on UP button.	3. Replace defective button.
	4. Leakage in air bag(s).	4. Replace the damaged air bag(s) by an authorized service center.
<i>Jack drifts down - will not hold.</i>	1. Air leakage on DOWN button.	1. Replace defective button.
	2. Leakage in Air Bags.	4. Replace the damaged air bags by an authorized service center.
<i>Jack lowers slow or not at all.</i>	1. DOWN button is blocked.	1. Replace damaged buttons.
	2. Latches in locked position.	2. Release the locks.

CAUTION! Do not apply compressed air with pressure higher than noted.

WARNING! If rolling jack is in the raised position, ensure to activate the mechanical latches prior to attempting to service the jack. Failure to do so may cause jack to drop out of control.

EXPLODED VIEW

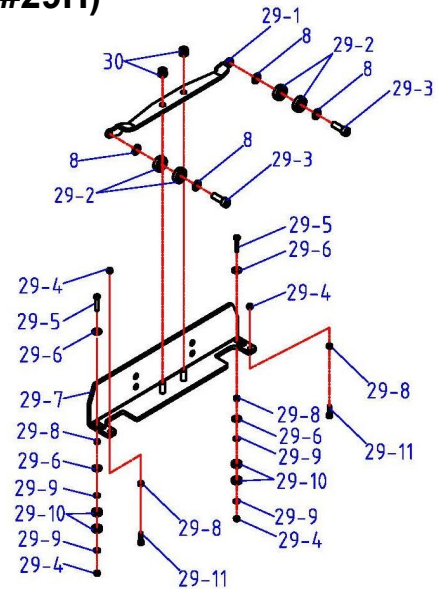


PARTS LIST

ITEM	Tux P/N	M-Ref P/N	DESCRIPTION	QTY
1	RAJ8K-001	LJ06-01000-000	Platform	1
2	RAJ8K-002	LJ06-03000-000	Scissor Frame	1
3	RAJ8K-003	LJ06-02000-000	Bottom Plate	1
4	RAJ8K-004	LJ06-04000-000	Extension Frame	2
5	RAJ8K-005	LJ06-00005-000	Bolt, M6 x 8mm	4
6	RAJ8K-006	LJ06-06000-000	Upper Flange	2
7	RAJ8K-007	5103-10030-000	Bolt, M10 x 30mm	24
8	RAJ8K-008	5302-00010-000	Flat Washer, D10	48
9	RAJ8K-009	5202-00010-000	Nut, M10	24
10	RAJ8K-010	LJ06-00004-000	Short Board	4
11	RAJ8K-011	LJ06-00006-000	Long Board	4
12	RAJ8K-012	LJ06-05000-000	Lifting Pad	2
13	RAJ8K-013	LJ06-09004-000	Rubber Pad	2
14	RAJ8K-014	5119-06016-000	Screw, M6 x 16mm	10
15	RAJ8K-015	LJ06-00010-000	Angle Fitting, D8 x 1/4+	2
16	RAJ8K-016	LJ06-00009-000	Short Hose	2
17	RAJ8K-017	LJ06-00011-000	T-Fitting, D8 x 1/4"	1
18	RAJ8K-018	NDT1-04006-001	Straight Fitting, D8 x 1/4"	1
*19	RAJ8K-019	LJ06-09000-000	Air Valve Assy	1
20	RAJ8K-020	LJ06-08000-000	Air Bag	2
21	RAJ8K-021	LJ06-01004-000	Spring Washer, D10	24
22	RAJ8K-022	LJ06-07000-000	Down Flange	2
23	RAJ8K-023	LJ06-00003-000	Long Adaptor - 5+	2
24	RAJ8K-024	LJ06-00002-000	Short Adaptor - 1-5/16+	2
25	RAJ8K-025	LJ06-00007-000	Limit Bar	2
26	RAJ8K-026	5901-00006-000	O-Ring, D6 x 2mm	2
27	RAJ8K-027	5206-00006-000	Lock Nut, M6	2
28	RAJ8K-028	LJ06-00008-000	Long Hose	1
*29H	RAJ-H-SLDRASY	LJ04HS-00	(High Mount) Roller Body Assy.	2
*29L	RAJ-L-SLDRASY	LJ04LS-00	(Low Mount) Roller Body Assy.	2
30	RAJ8K-030	5206-00010-000	Lock Nut, M10	12

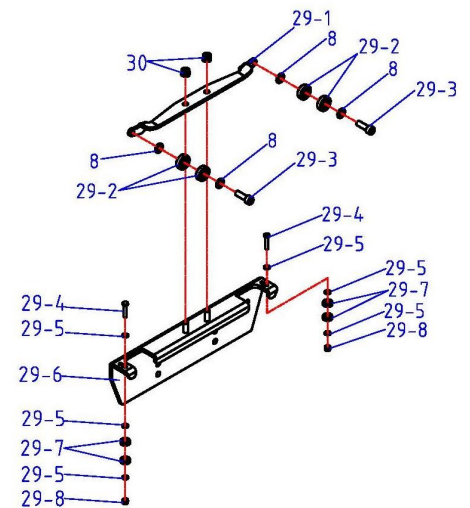
*RAJ-8K-H (High Mount) Roller Body Assembly Parts (#29H)

ITEM	Tux P/N	M-Ref P/N	DESCRIPTION	QTY
29-1	RAJ8K-029.1	LJ04-01004-000	Spring Support Bar	1
29-2	RAJ8K-029.2	5602-30009-000	Large, Wheel Bearing	4
29-3	RAJ8K-029.3	5105-10030-000	Socket Head Bolt, M10 x 30mm	2
29-4	RAJ8K-029.4	5206-00006-000	Lock Nut, M6	4
29-5	RAJ8K-029.5	5104-06030-000	Bolt, M6 x 30mm	2
29-6	RAJ8K-029.6	5302-00006-000	Large Flat Washer, D18 x 1.6mm	4
29-7	RAJ8KH-029.7	LJ04-01003-000	(High Mount) RB Support Frame	1
29-8	RAJ8KH-029.8	LJ04-01005-000	Bushing	4
29-9	RAJ8K-029.9	5301-00006-000	Flat Washer, D11 x 1.6mm	4
29-10	RAJ8K-029.10	5602-19006-000	Small, Side Bearing	4
29-11	RAJ8K-029.11	5105-06020-000	Socket Head Screw, M6 x 20mm	2



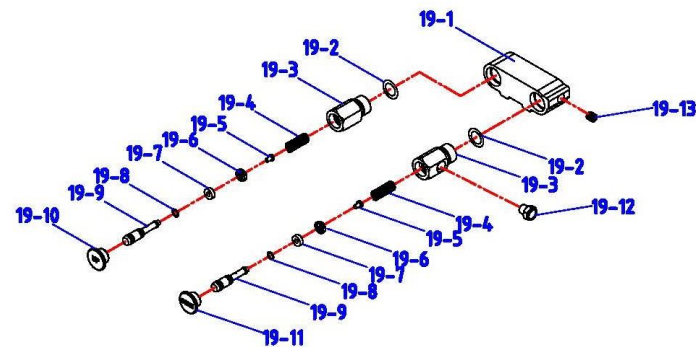
*RAJ-8K-L (Low Mount) Roller Body Assembly Parts (#29L)

ITEM	Tux P/N	M-Ref P/N	DESCRIPTION	QTY
29-1	RAJ8K-029.1	LJ04-01004-000	Spring Support Bar	1
29-2	RAJ8K-029.2	5602-30009-000	Large, Wheel Bearing	4
29-3	RAJ8K-029.3	5105-10030-000	Socket Head Bolt, M10 x 30mm	2
29-4	RAJ8K-029.4	5104-06030-000	Bolt, M6 x 30mm	2
29-5	RAJ8K-029.5	5301-00006-000	Flat Washer, D11 x 1.6mm	6
29-6	RAJ8KL-029.6	LJ04-02001-000	(Low Mount) RB Support Frame	1
29-7	RAJ8K-029.7	5602-19006-000	Small, Side Bearing	4
29-8	RAJ8K-029.8	5206-00006-000	Lock Nut, M6	2



*RAJ-8K Air Valve Assembly

ITEM	Tux P/N	M-Ref P/N	DESCRIPTION	QTY
19-1	RAJ8K-019.1	LJ06-09007-000	Valve Block	1
19-2	RAJ8K-019.2	5901-00021-000	O-Ring	2
19-3	RAJ8K-019.3	LJ06-09002-000	Valve Body	2
19-4	RAJ8K-019.4	LJ06-09006-000	Spring	2
19-5	RAJ8K-019.5	5110-4006-000	Screw, M4	2
19-6	RAJ8K-019.6	LJ06-09005-000	Seal Seat	2
19-7	RAJ8K-019.7	LJ06-09004-000	Seal	2
19-8	RAJ8K-019.8	5901-00067-000	O-Ring	2
19-9	RAJ8K-019.9	LJ09-09003-000	Valve Pin	2
19-10	RAJ8K-019.10	LJ06-09001-000	Button (Green)	1
19-11	RAJ8K-019.11	LJ06-09010-000	Button (Red)	1
19-12	RAJ8K-019.12	LJ06-09008-000	Muffler 1/4"	1
19-13	RAJ8K-019.13	LJ06-09009-000	Set Screw 1/8+	1



LIMITED WARRANTY

Structural Warranty:

The following parts and structural components carry a five-year warranty:

Columns	Arms	Uprights	Swivel Pins
Legs	Carriages	Overhead Beam	
Tracks	Cross Rails	Top Rail Beam	

Limited One-Year Warranty:

Tuxedo Distributors, LLC offers a limited one-year warranty to the original purchaser of Lifts and Wheel Service equipment in the United States and Canada. Tuxedo will replace, without charge, any part found defective in materials or workmanship under normal use, for a period of one year after purchase. The purchaser is responsible for all shipping charges. This warranty does not apply to equipment that has been improperly installed or altered or that has not been operated or maintained according to specifications.

Other Limitations:

This warranty does not cover:

1. Parts needed for normal maintenance
2. Wear parts, including but not limited to cables, slider blocks, chains, rubber pads and pulleys
3. Replacement of lift and tire changer cylinders after the first 30 days. A seal kit and installation instructions will be sent for repairs thereafter.
4. On-site labor

Upon receipt, the customer must visually inspect the equipment for any potential freight damage before signing clear on the shipping receipt. Freight damage is not considered a warranty issue and therefore must be noted for any potential recovery with the shipping company.

The customer is required to notify Tuxedo of any missing parts within 72 hours. Timely notification must be received to be covered under warranty.

Tuxedo will replace any defective part under warranty at no charge as soon as such parts become available from the manufacturer. No guarantee is given as to the immediate availability of replacement parts.

Tuxedo reserves the right to make improvements and/or design changes to its lifts without any obligation to previously sold, assembled, or fabricated equipment.

There is no other express warranty on the Tuxedo lifts and this warranty is exclusive of and in lieu of all other warranties, expressed or implied, including all warranties of merchantability and fitness for a particular purpose.

To the fullest extent allowed by law, Tuxedo shall not be liable for loss of use, cost of cover, lost profits, inconvenience, lost time, commercial loss or other incidental or consequential damages.

This Limited Warranty is granted to the original purchaser only and is not transferable or assignable.

Some states do not allow exclusion or limitation of consequential damages or how long an implied warranty lasts, so the above limitations and exclusions may not apply. This warranty gives you specific legal rights and you may have other rights, which may vary from state to state.

8320 E Hwy 67, Alvarado, TX 76009
Ph. 817-558-9337 / Fax 817-558-9740