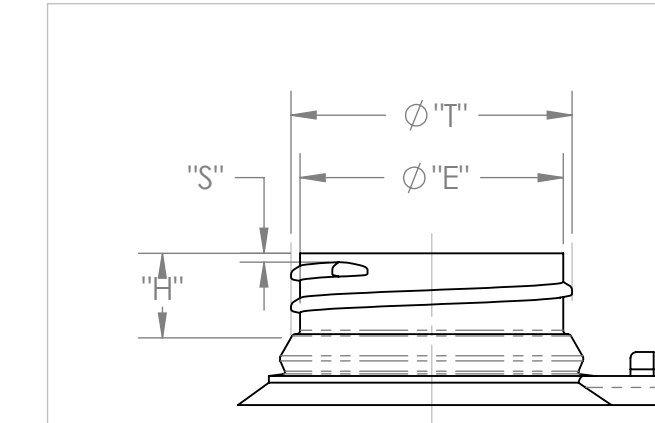
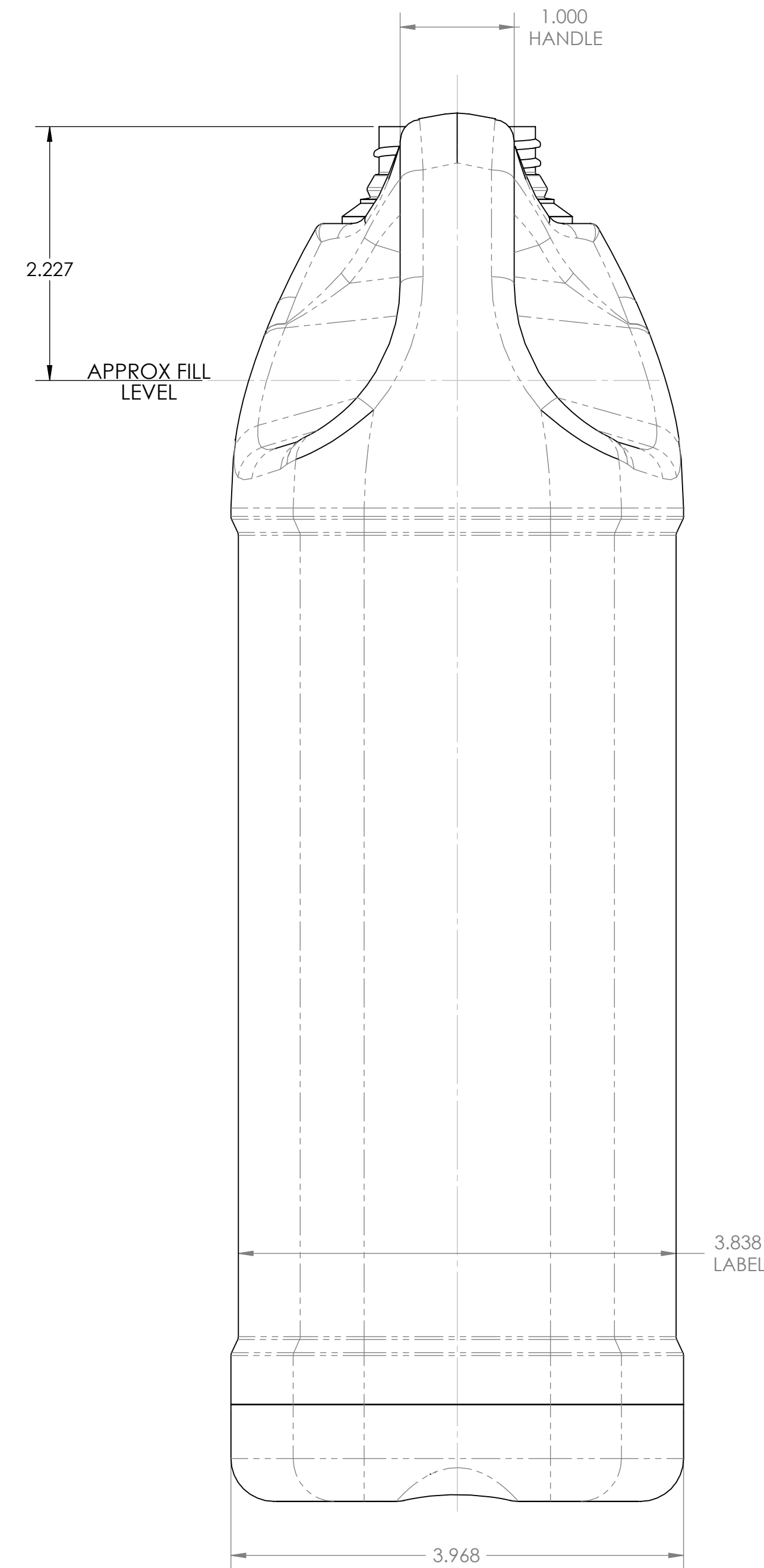
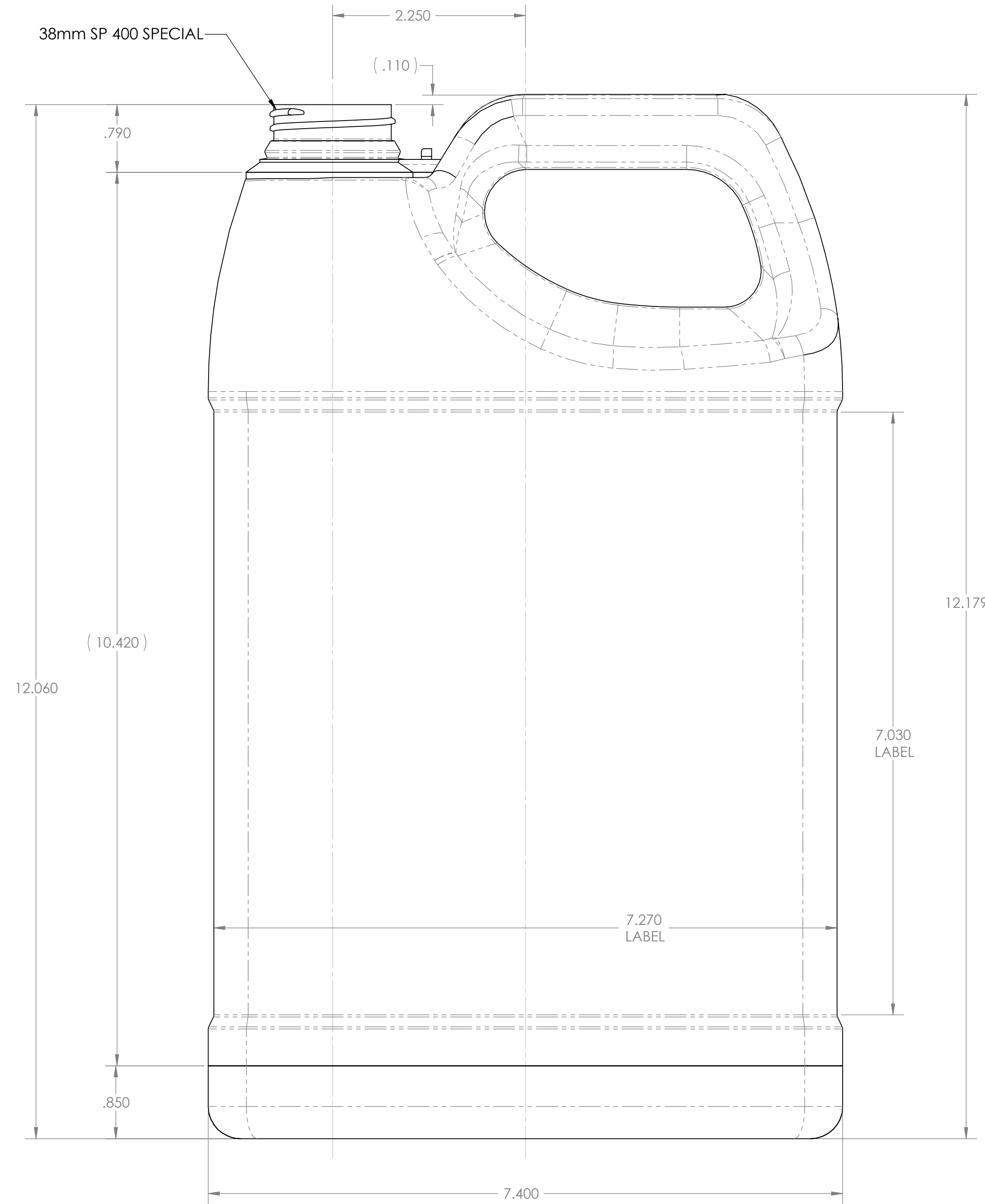
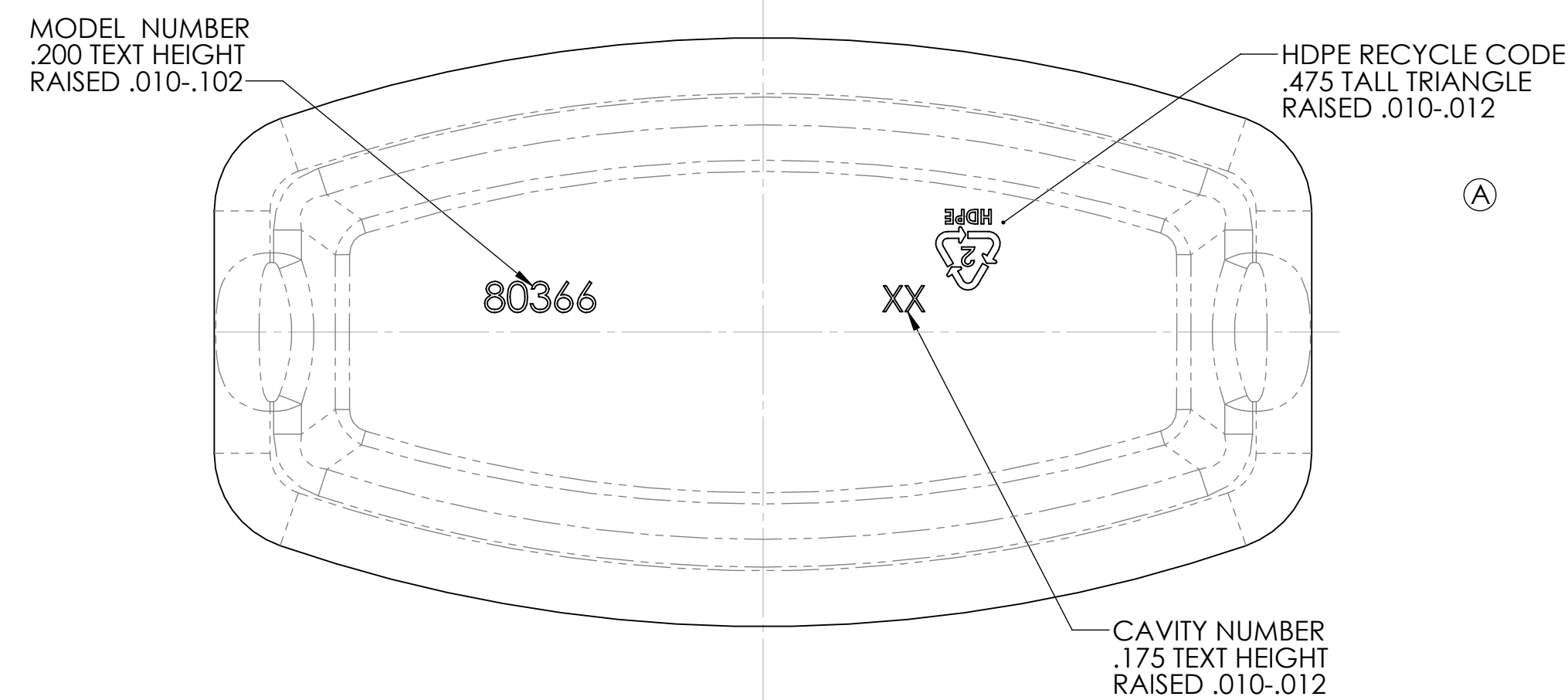


REVISIONS			
REV.	DESCRIPTION	DATE	APPROVED
A	REVISED BOTTOM ENGRAVING	5/5/2008	KDG
B	RELOCATED BOTTOM ENGRAVING	5/14/2008	KDG
C	DRAWING BECAME OBSOLETE	3/24/2011	SPK



CLOSURE	38mm SP 400 SPECIAL
"T" DIM	1.452 - 1.476
"E" DIM	1.358 - 1.382
"H" DIM	.388 - .418
"S" DIM	.031 - .061
"T" DIM MIN	.987



**Notes:**  
 1) Tolerances Unless Specified:  
 Vertical -- ±.080  
 Horizontal -- ±.090  
 Volumetric -- ±1.50 oz  
 2) Bottles to be Checked Aged with 20 °C water  
 3) Estimated Bulge -- T.B.D.

**OBSOLETE**  
 SEE MA8366-12

**Container Specialties, Inc.**  
 Manufacturer of  
 Plastic Containers and Bottles  
 1950 N. MANNHEIM ROAD  
 MELROSE PARK, IL. 60160

<b>PROPRIETARY AND CONFIDENTIAL</b> THE INFORMATION CONTAINED IN THIS DRAWING IS THE SOLE PROPERTY OF MID-AMERICA MACHINING, INC. ANY REPRODUCTION IN PART OR AS A WHOLE WITHOUT THE WRITTEN PERMISSION OF MID-AMERICA MACHINING, INC. IS PROHIBITED.	Drawn By: KDG	Date: 22JAN08	Container Data:	Description: Product Drawing 1 Gallon "F" Style
	Checked: SK	Date: 22JAN08	Weight: 140-145 grams	
	Customer: CSI	Job#: ~	Fill Level Capacity: 128 oz	
	Reference Materials: Customer supplied Yellow CAVITY 25 80366 sample		Overflow Capacity: 135.6 oz	
			Material: HDPE	Size: <b>D</b>
			Avg. Wall Thickness	Scale: 1:1
				Drawing Number: <b>MA8366-8</b>
				REV C SHEET 1 OF 1