

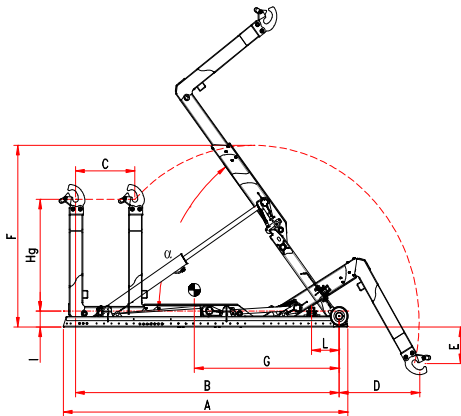


b.o.b. Sistemi Idraulici S.p.A.

**unilift**<sup>®</sup>

**COMPANY WITH  
QUALITY SYSTEM  
CERTIFIED BY DNV GL  
= ISO 9001 =**

**HOOKLIFT « T 26.000 MS »**



MODEL	T 26.000 XXC MS	T 26.000 XC MS	T 26.000 C MS	T 26.000 N MS	T 26.000 NL MS	T 26.000 L MS	T 26.000 XL MS
Hg	53,88"/61,75" (1.369/1.569mm)	53,88"/61,75" (1.369/1.569mm)	53,88"/61,75" (1.369/1.569mm)	53,88"/61,75" (1.369/1.569mm)	53,88"/61,75" (1.369/1.569mm)	53,88"/61,75" (1.369/1.569mm)	53,88"/61,75" (1.369/1.569mm)
A	146,85" (3.730 mm)	150,78" (3.830 mm)	158,66" (4.030 mm)	170,44" (4.330 mm)	178,34" (4.530 mm)	186,22" (4.730 mm)	200" (5.080 mm)
B	131,88" (3.350 mm)	139,76" (3.550 mm)	147,63" (3.750 mm)	159,44" (4.050 mm)	137,32" (4.250 mm)	175,19" (4.450 mm)	181,1" (4.600 mm)
C	27,55" (700 mm)	31,5" (800 mm)	31,5" (800 mm)	31,5" (800 mm)	31,5" (800 mm)	31,5" (800 mm)	39,37" (1.000 mm)
D	46,45" (1.180 mm)	42,51" (1.080 mm)	34,64" (880 mm)	45,66" (1.160 mm)	37,79" (960 mm)	29,92" (760 mm)	58,26" (1.480 mm)
E	19,29" (490 mm)	19,29" (490 mm)	19,29" (490 mm)	19,29" (490 mm)	19,29" (490 mm)	19,29" (490 mm)	9,93" (100 mm)
F	89,76" (2.280 mm)	89,76" (2.280 mm)	89,76" (2.280 mm)	99,6" (2.530 mm)	99,6" (2.530 mm)	99,6" (2.530 mm)	113,38" (2.880 mm)
G	73,22" (1.860 mm)	76,77" (1.950 mm)	83,07" (2.110 mm)	88,97" (2.260 mm)	94,09" (2.390 mm)	99,21" (2.520 mm)	97,63" (2.480 mm)
I	7,87" (200 mm)	7,87" (200 mm)	7,87" (200 mm)	7,87" (200 mm)	7,87" (200 mm)	7,87" (200 mm)	8,66" (220 mm)
L	10,62" (270 mm)	14,56" (370 mm)	22,44" (570 mm)	18,5" (470 mm)	26,37" (670 mm)	26,37" (670 mm)	19,68" (500 mm)
Weight*	2.610 lb (1.185 Kg)	2.665 lb (1.210 Kg)	2.720 lb (1.235 Kg)	2.820 lb (1.280 Kg)	2.870 lb (1.305 Kg)	2.930 lb (1.330 Kg)	3.670 lb (1.665 Kg)
α	55°	53°	50°	53°	49°	45°	55°
Container min. max.	12' - 13' (3.657-4.267 mm)	12' - 14' (3.657-4.267 mm)	13' - 15' (3.962-4.572 mm)	13' - 16' (3.962-4.876 mm)	14' - 16' (4.267-4.876 mm)	14' - 17' (4.267-5.181 mm)	14' - 17' (4.267-5.181 mm)
LIFTING CAPACITY	26.000 lb (11.820 Kg)	26.000 lb (11.820 Kg)	26.000 lb (11.820 Kg)	26.000 lb (11.820 Kg)	26.000 lb (11.820 Kg)	26.000 lb (11.820 Kg)	26.000 lb (11.820 Kg)
TIPPING CAPACITY	26.000 lb (11.820 Kg)	26.000 lb (11.820 Kg)	26.000 lb (11.820 Kg)	26.000 lb (11.820 Kg)	26.000 lb (11.820 Kg)	26.000 lb (11.820 Kg)	26.000 lb (11.820 Kg)

**\*Weight: basic hooklift weight without kit and options**

The technical details shown in this sheet are indicative and can be changed by the builder without prior notice

**B.O.B. Sistemi Idraulici S.p.A.** – Regione Oltre Rea, 32 – 12060 Monchiero (CN) - Italia

P. I.V.A. 00496180043 - Tel.: +39 (0173) 780002/3 – Fax: +39 (0173) 780004

Internet: [www.bobspa.com](http://www.bobspa.com) - E-mail: [info@bobspa.com](mailto:info@bobspa.com)