

# Chest Freezer

KCS070G W

**7.2 Cu. Ft. Commercial,  
Food Service Grade**



## Signature Features

**7.2 Cubic Feet Capacity**

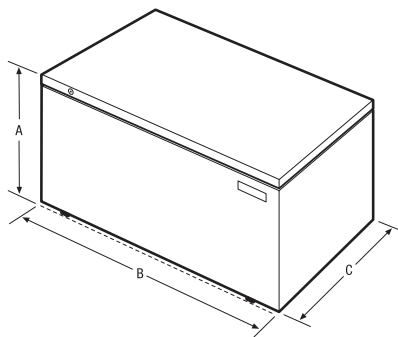
**Defrost Drain**

**Heavy-Duty Casters**

**Heavy-Duty Cooling System,  
NSF®-Certified Performance**

**MaxFreeze Switch For  
Continuous Compressor  
Activity, Yields Temperatures  
As Low As -25 Degrees  
Fahrenheit**

**NSF®-Certified For Food  
Service Applications**



### Product Dimensions

A - Height (Including Casters)	36-5/8"
B - Width	35"
C - Depth	23-1/4"

### More Easy-To-Use Features

**Heavy-Duty, NSF®-Certified Wire  
Storage Basket**

**NSF®-Certified For Food Service  
Applications**

**NSF®-Certified Thermometer**

**Sealed Cabinet Interior For Easy  
Cleaning**

### Accessories

NSF®-Certified Wire Freezer Basket <sup>1</sup>	297118500
NSF®-Certified Thermometer	297074200
Basket Dividers	297118000

### Specifications

Total Capacity (Cu. Ft.)	7.2
Power Supply Connection Location	Left Bottom Rear
Voltage Rating	120V / 5A
Shipping Weight (Approx.)	128 Lbs.

ENERGY STAR®  
NSF® International  
Certification



Available in:



White  
(W)



Plug Type (NEMA)  
(A) 5-15P

<sup>1</sup>One Included, Holds Up To Two Baskets.  
Accessories information available on the  
web at [kelvinator.com](http://kelvinator.com)