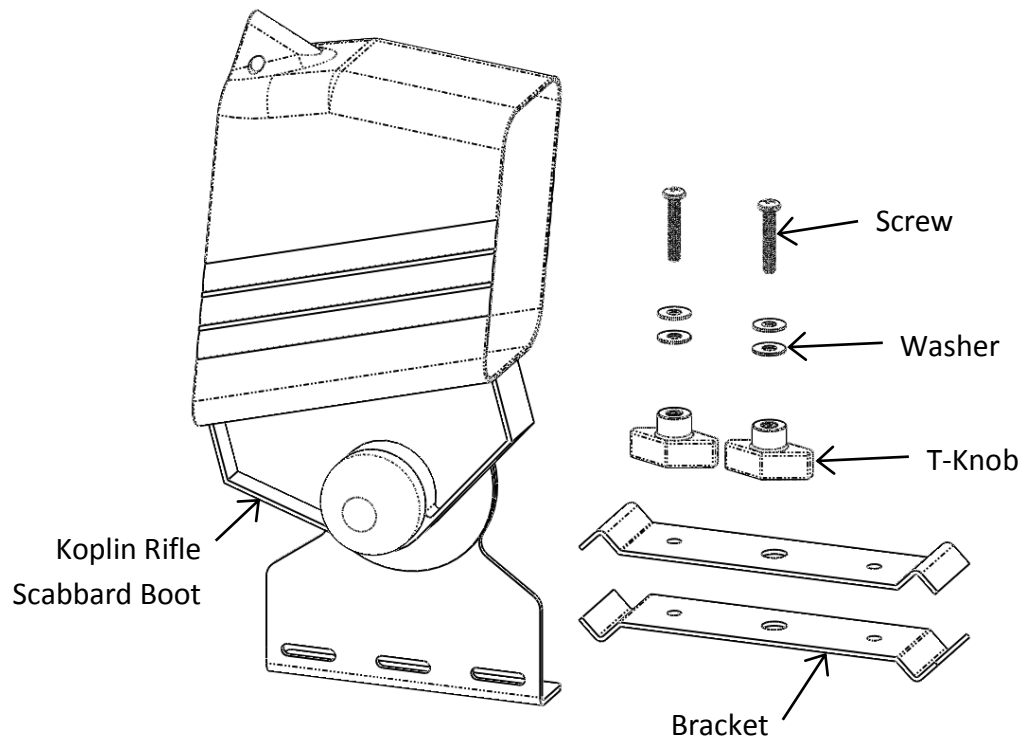


# Rifle Mount Installation Kit



The Rifle Mount Installation Kit fits all Hornet Cargo Racks. The Kit comes with a Koplin Rifle Scabbard Boot, 2x Brackets, 2x ¼-20 Screws, 4x Washers and 2x T-Knobs.



# Installation:

## Step 1:

Choose where you would like to place the Rifle Mount. An example is shown below.



## Step 2:

Pass the Screws through the Washers and then through the Rifle Scabbard Base.

Place a Bracket on either side of the Cargo Rack horizontal bars. Passing the Screws through the Brackets and add the remaining Washers. Tighten down the T-Knobs.

