



Wrestling

CIF Administrators, AD's and coaches

The NFHS has made it a point in the rules reminder portion of their annual presentation to reinforce the mandated 5 feet protection surface for wrestling mats. In particular during dual meets and tournaments. This has always been in the rules books, but has not been adhered to as strictly as it should have been.

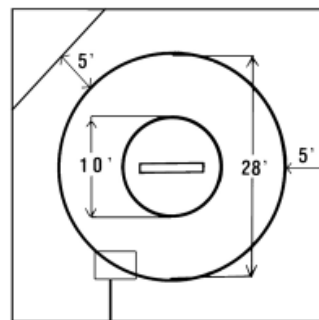
In this day of student-athlete protection and litigation, enforcing this existing rules is prudent to protect, not just the athletes but the coaches, schools and districts who are entrusted with student safety.

The officials associations have been alerted to this enforcement standard and are instructed to enforce this safety issue. They have been instructed to be proactive by contacting coaches, many days before the coaches begin setting up for dual meets as well as tournaments to verify that the safety protection surfaces are in place.

This may be a major change for some tournaments and the sooner the coaches begin reconfiguring their venues to adhere to this safety standard the better it would be. The worst case scenario would be for an officiating crew to arrive at a tournament site and have to declare some mats not safe and take those mat(s) out of operation.

Below is the NFHS acceptable standard for protection surfaces:

Wrestling Mat Rule 2-1



Duane Morgan
CIF Wrestling Rules Interpreter

