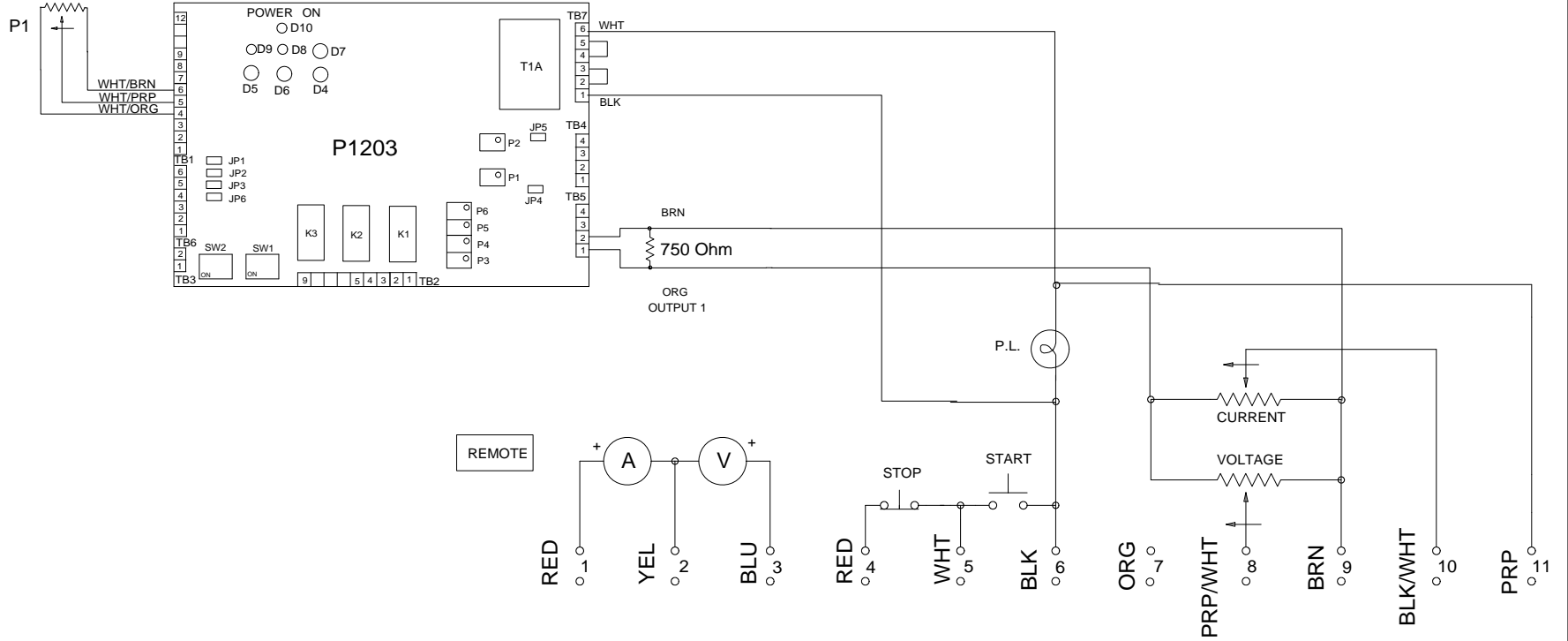


REVISIONS			
SYM.	DESCRIPTION	DATE	APPR.

Ramp 1 Time



<b>ULTIMATIC</b>			
RECTIFIER POWER SUPPLY BY: ALDONEX			
SCALE	NONE	APPROVED BY:	DRAWN BY: J. M.
DATE	7-12-01		
Model	Serial		
BELLWOOD, ILL. U.S.A.		DRAWING # P1203Retro	