

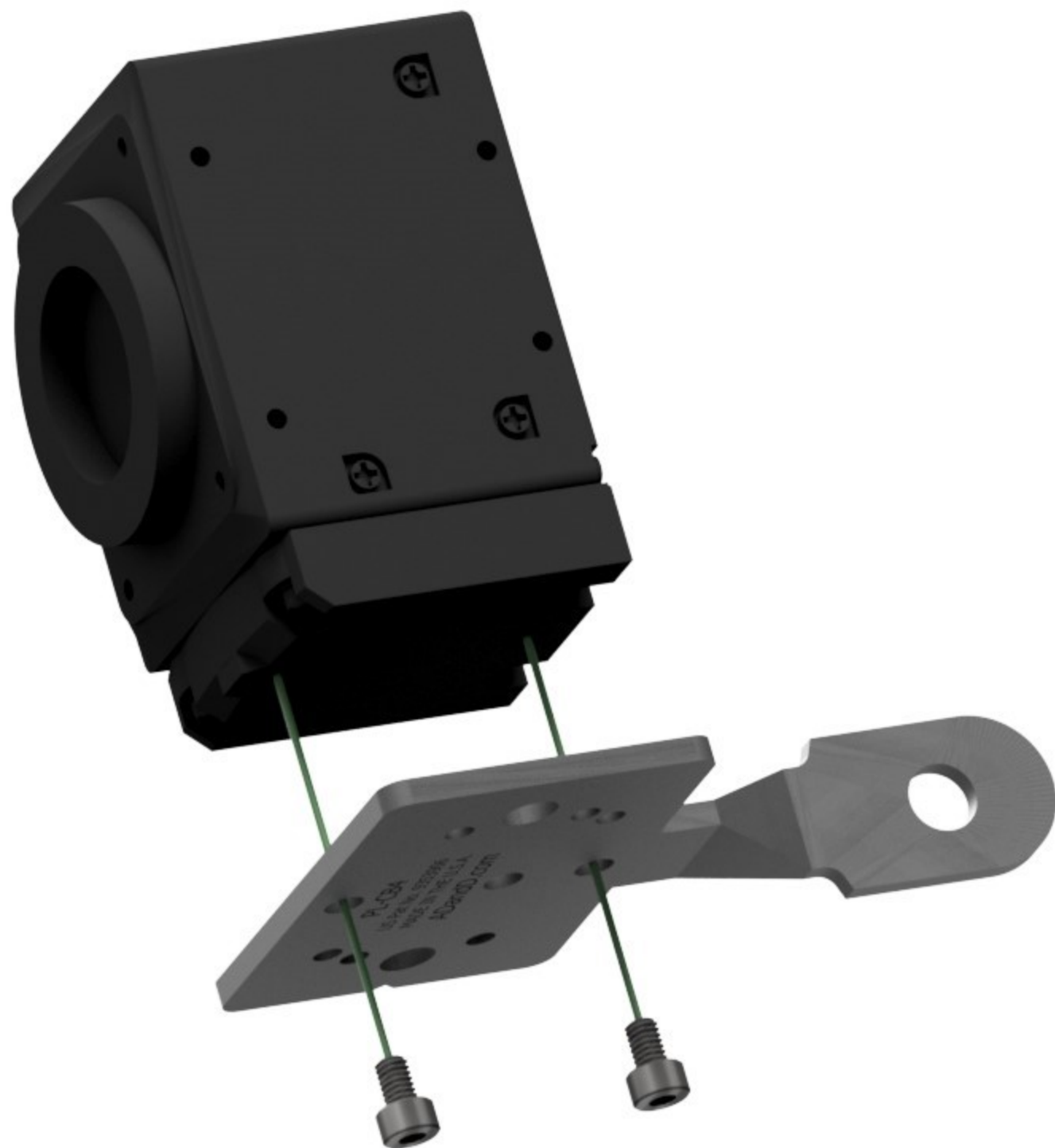
ADandD Pop-Link #PL-CB4

Mounting Shown for...

Keyence XG-HL02M

Keyence XG-HL04M

Keyence XG-HL08M



Included Hardware

(2) M4-.7 X 6mm Lg SHCS