



Gamewell Retrofit Kits

by Honeywell

Description

The Gamewell Retrofit Kits offered by Gamewell-FCI provide a simple way to convert the following existing Gamewell legacy Systems to a new E3 Series® fire alarm panel.

- IF602 panel
- IF610 panel
- IF632 panel

The Retrofit Kits offer a cost-effective solution to change the Gamewell legacy panels without replacing the existing Gamewell backbox. This solution eliminates the expensive cost of repairing walls, buying new cabinets or replacing the existing Gamewell backbox.

All retrofit kits provide backplates that mount directly into the Gamewell backboxes. Each backplate includes mounting patterns to allow an easy installation of the E3 Series plates and sub-assemblies. The front panel displays can be retrofitted to the E3 Series LCD-E3/LCD-SLP using a simple mounting plate. IF600XL retrofit kits include a 3-bay slot door for addressable switch buttons, LED drivers, and a paging microphone.

Gamewell RAN annunciator can also be retrofitted to accommodate an E3 Series supported annunciator by reusing the existing backbox.

Retrofitting is a cost effective way to upgrade your facilities' fire alarm control panel without swapping out smoke detectors and notification devices. Changing your legacy Gamewell System to the Gamewell-FCI, E3 Series System converts your fire alarm system, so that it is compliant with the most current UL® and NFPA codes and standards.

Installation

To retrofit from a Gamewell panel to an E3 Series System, refer to the following time-saving steps which can save a lot in setup and labor costs.

1. Remove all field wiring from the legacy Gamewell control boards that are installed inside the cabinet.
2. Remove the front door or inner doors.
3. Unscrew the Gamewell panel mounting plate from the backbox.
4. Install the new retrofit mounting plate for E3 Series sub-assemblies or plates.
5. Install the new E3 Series panels and connect with the existing wiring.
6. Auto configure the system or custom program the E3 Series.

E3 Series® is a registered trademark of Honeywell International Inc.
UL® is a registered trademark of Underwriter's Laboratories Inc.

Gamewell to E3 Series®



IF600XL

B-Slim

Features

- Listed under UL® Standard 864, 9th edition.
- Cost effective solution for upgrading an existing system without buying a complete E3 Series System.
- Upgrades to the state-of-the-art E3 Series fire alarm control panels.
- Offers a simple plate system for easy installation.
- Allows the existing cabinet to remain mounted on the wall.
- Reuses the existing System Sensor or Apollo detectors/modules, and notification devices.
- Remote annunciator retrofit available.

E3 Series Features

For additional information on the E3 Series features, refer to the E3 Series Data Sheet Part Number: 9020-0637.

SIGNALING



LISTED
S1869



GAMEWELL-FCI

12 Clintonville Road, Northford, CT 06472-1610 USA • Tel: (203) 484-7161 • Fax: (203) 484-7118

Specifications are for information only, are not intended for installation purposes, and are subject to change without notice. No responsibility is assumed by Gamewell-FCI for their use.

©2014 by Honeywell International Inc. All rights reserved.

www.gamewell-fci.com

9021-60678 Rev. D page 1 of 2

Gamewell RAN2 Retrofit

Figure 1.1 illustrates the Gamewell RAN2 retrofit.

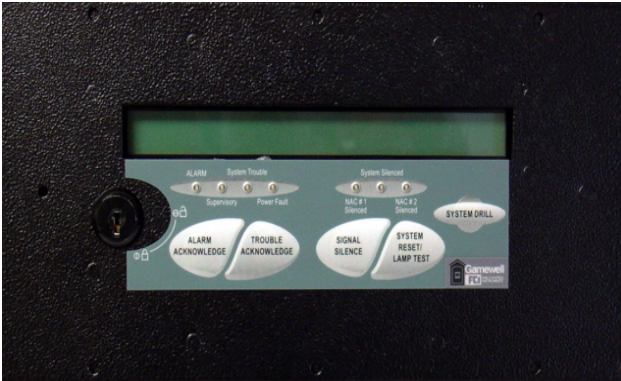


Figure 1 Gamewell RAN-7100

Retrofit Cabinet Installation

Figure 2 shows an IF600XL/632 configuration.

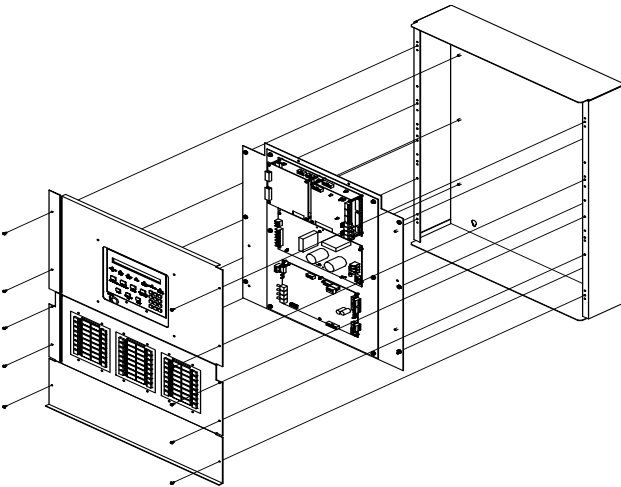


Figure 2 IF600XL/632

Figure 3 shows an IF600 configuration.

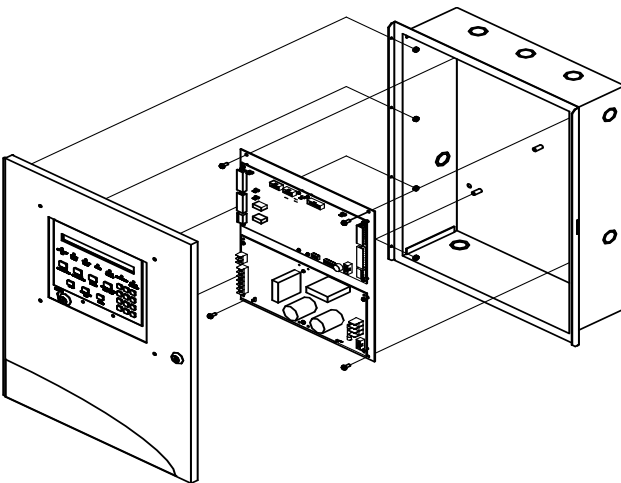


Figure 3 IF600

Ordering Information

Part Number	Description
IF600-RETROFIT	Gamewell IF602/IF610 (System Sensor or Apollo Retrofit)

The Retrofit Kit includes the following:

- Front door
- Backbox mounting plate
- Display plate

Loop Cards

The IF600 Retrofit Kit supports up to two ILI loop cards:

- ILI-MB-E3
- ILI95-MB-E3
- ILI-S-E3
- ILI95-S-E3

The following E3 Series sub-assemblies can be used in the IF600 Retrofit Kit.

- PM-9/PM-9G Power Supply (required)
- LCD-E3 LCD Display (required)
- LCD-SLP LCD Touchscreen Display (optional)
- DACT-E3 Dialer (optional)
- RPT-E3-FO/RPT-E3-UTP Network Repeater (optional)

IF600XL-RETROFIT	Gamewell IF602XL, IF610XL, IF632 (System Sensor or Apollo Retrofit)
------------------	------------------------------------------------------------------------

The Retrofit Kit includes the following plates:

- Inner display door
- Inner dead front cover
- Inner 3-bay door
- Backbox mounting plate

The above mounting plates support one of the following E3 Series mounting plates (sold separately).

- E3-ILI-C
- E3-INCC-C

E3-ILI-C Mounting Plate:

E3-ILI-C Mounting Plate accommodates the following:

- Choice of two ILI loop cards
- ILI-MB-E3
- ILI95-MB-E3
- ILI-S-E3
- ILI95-S-E3

E3-INCC-C Mounting Plate:

E3-INCC-C Mounting Plate accommodates the following:

- Choice of one ILI loop cards:
- ILI-MB-E3
- ILI95-MB-E3
- ILI-S-E3
- ILI95-S-E3

Optional-Select One of the following INI-VG Series boards:

- INI-VGC Command Center
- INI-VGX Voice Gateway
- INI-VGE Bulk Voice Gateway

GAMEWELL-FCI