

Description

The Cooper-Wheelock Series RSS Strobes and RSSP Strobe Plates have low current draw while maintaining outstanding performance, reliability, and cost effectiveness. These versatile appliances will satisfy virtually all requirements for indoor, wall, or ceiling mount applications.

Strobe options for wall mount modules include 15/75, or the MCW multi-candela strobe with field selectable settings of 15/30/75/100 cd, or the high intensity MCWH strobe with field selectable 135/185 cd settings. Ceiling mount models include the MCC multi-candela ceiling strobe with field selectable settings of 15/30/75/95 cd, or the high intensity MCCH strobe with field selectable 115/177 cd settings.

All models may be synchronized with the Cooper-Wheelock SM or DSM Sync Modules. Synchronized strobes can eliminate possible restrictions on the number of strobes in the field of view. Cooper-Wheelock's synchronized strobes offer an easy way to comply with ADA recommendations concerning photosensitive epilepsy as well as meeting the requirements of NFPA 72.

Cooper-Wheelock's Series RSS Strobes employ an Integral Strobe Mounting Plate that can be mounted to a single gang, double gang, 4" square, 100 mm European backbox or to the SHBB surface back box. If the flush backbox has side or top space between it and the finished wall, the NATP (Notification Appliance Trimplate) may be used. It provides an additional 0.65" of trim for the appliance. An attractive cover plate is provided for a clean, finished appearance on all models.

The Series RSSP Multi-candela Strobe Plate is a cost effective way to retrofit required wall strobe appliances to bells, horns, chimes, multitone devices, or speakers and easily mounts to standard 4" backboxes or for surface mount use with the Cooper-Wheelock SBL2 surface backbox.

Single & Multi-Candela RSS Series Strobes, RSSP Series Strobe Plates



Multi-Candela Indicator
(bottom of lens)

Features

- Approvals include:
 - UL Standard 1971
 - California State Fire Marshal (CSFM)
 - New York City (MEA)
 - Factory Mutual (FM)
- ADA/NFPA/UFC/ANSI compliant.
- Wall mounted models are available with field selectable multi-candela settings of 15, 30, 75, or 110 cd with high intensity models settable to 135 or 185 cd.
- Ceiling mounted models are available with field selectable multi-candela settings of 15, 30, 75, or 95 cd with high intensity models set to 115 or 177 cd.
- Single candela models provide 15/75 cd.
- Strobes flash once per second over the regulated voltage range.
- 12 & 24 VDC models with wide UL "regulated voltage range" using filtered DC or unfiltered FWR input voltage.
- Synchronize with SM or DSM synchronization modules.
- Fast installation with IN/OUT screw terminals using #12 to #18 AWG wires.

An ISO 9000-2000 Company

SIGNALING



MEA
Approved



GAMEWELL-FCI

12 Clintonville Road, Northford, CT 06472 - Tel: (203) 484-7161 - Fax: (203) 484-7118

Specifications are for information only, are not intended for installation purposes, and are subject to change without notice. No responsibility is assumed by Gamewell-FCI for their use.

©2008 Gamewell-FCI. All rights reserved.

www.gamewell-fci.com

9020-0575 Rev. B1 page 1 of 4

General Notes

- Strobes are designed to flash at one flash per second minimum over Regulated Voltage Range. Note that NFPA-72 (1999) specifies a flash rate of one to two flashes per second and ADA guidelines specify a flash rate of one to three flashes per second.
- All candela ratings represent minimum effective strobe intensity based on UL Standard 1971.
- Series RSS & RSSP Strobe products are listed under UL Standard 1971 for indoor use with a temperature range of 32°F to 120°F (0°C to 49°C) and maximum humidity of 93% (± 2%).
- “Regulated Voltage Range” is the newest terminology used by UL to identify the voltage range. Prior to this, UL used the term “Listed Voltage Range”.

Table 1: Average RMS Current*													
RSS/ RSSP 24VDC Models	RSS/RSSP - Wall Mount							RSS - Ceiling Mount					
	2415- 75W	24MCW				24MCWH		24MCC				24MCCH	
	1575 cd	15 cd	30 cd	75 cd	110 cd	135 cd	185 cd	15 cd	30 cd	75 cd	95 cd	115 cd	177 cd
16 VDC	0.101	0.062	0.102	0.192	0.265	0.300	0.420	0.068	0.112	0.211	0.292	0.300	0.420
24 VDC	0.064	0.041	0.062	0.116	0.155	0.195	0.270	0.045	0.072	0.128	0.171	0.195	0.270
33 VDC	0.047	0.032	0.047	0.081	0.107	0.145	0.190	0.035	0.052	0.089	0.118	0.145	0.190

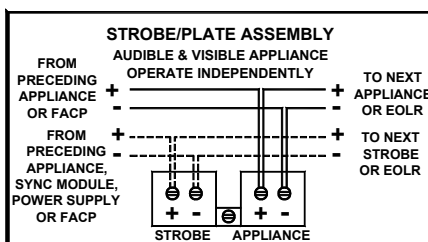
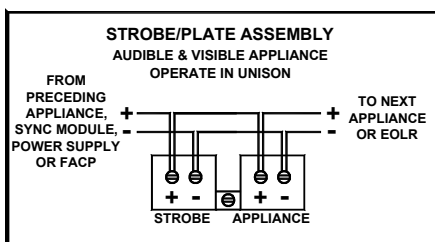
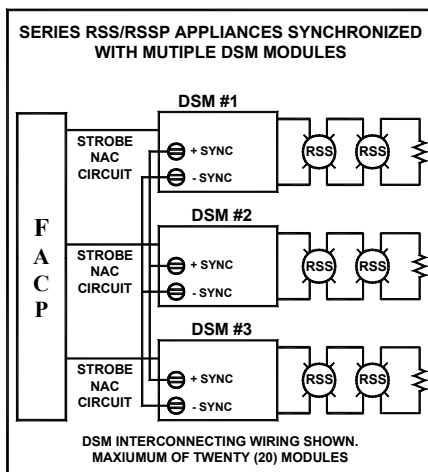
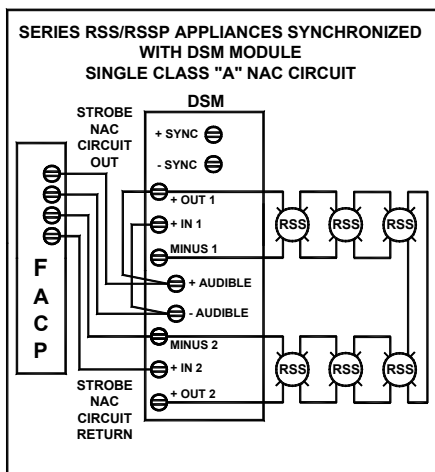
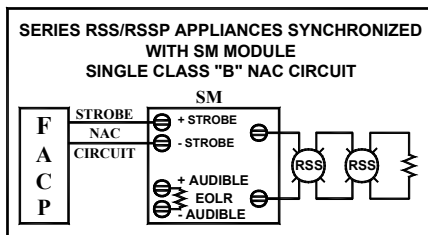
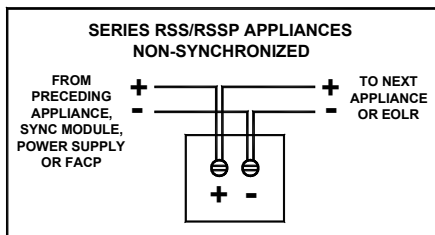
RSS/ RSSP 24 VDC Models	RSS/ RSSP Wall Mount	<p>* Average RMS Current is per UL average RMS method and Average Mean Current is per UL average mean method. 12 volt models use Average Mean Current.</p> <p>For rated inrush and peak current across the UL Listed voltage range for both filtered DC and un-filtered Vrms (FWR), see installation instructions.</p>
	12157- 5W	
8 VDC	0.336	
12 VDC	0.179	
17.5 VDC	0.136	

Table 2: Audible/Speakers for RSSP Strobe Plate	
Product	Series
Multitone Appliances	AMT, MT
Horns	AH, NH, HS
Motor Bells	MB-G6/G10
Speakers	ET-1010/1080, E70, ET70
Chimes	CH70

SYNC Modules				
Model Number	Order Code	Input Voltage (VDC)	Average Mean Current @ 24 VDC	Mounting Options
SM-12/24-R	6369	24	0.028	W
DSM-12/24-R	6374	24	0.035	W

SM Sync Module is rated for 3.0 amperes @ 24 VDC
 DSM Sync Module is rated for 3.0 amperes per circuit.
 The maximum number of interconnected DSM modules is 20.

WIRING DIAGRAMS



Architects and Engineers Specifications

The visual notification appliances shall be Cooper-Wheelock Series RS strobe appliances or approved equals. The Series RSS shall be Listed under UL Standard 1971 (Emergency Devices for the Hearing Impaired) for Indoor Fire Protection Service. The strobe shall be listed for indoor use and shall meet the requirements of FCC Part 15 Class B. The strobe appliances shall produce a flash rate of one (1) flash per second over the Regulated Voltage Range and shall incorporate a Xenon flashtube enclosed in a rugged Lexan® lens.

The Series RSS shall be of low current design. Where multi-candela appliances are specified, the strobe intensity shall have a minimum of four (4) field selectable settings and shall be rated per UL Standard 1971 at: 15, 30, 75, and 110 cd, or 135/185 cd for wall mount, or 15, 30, 75, and 95cd or 115/177 cd for ceiling mount. The selector switch for selecting the candela shall be tamper resistant. The 15/75 candela strobe shall be specified when 15 cd UL Standard 1971 Listing with 75 cd on-axis is required (e.g. ADA compliance).

When synchronization is required, the appliance shall be compatible with Cooper-Wheelock's SM and DSM Sync Modules. The strobes shall not drift out of synchronization at any time during operation. If the sync module fails to operate, (i.e. contacts remain closed), the strobe shall revert to a non-synchronized flash rate. The appliance shall also be designed so that the audible signal may be silenced while maintaining strobe activation.

The Series RSS Strobe appliances shall incorporate a patented universal mounting plate that allows mounting on a single-gang, double-gang, 4-inch square, 100 mm European type backbox, or the SHBB surface backbox. If required, an NATP (Notification Appliance Trimplate) shall be provided. An attaching cover plate shall be provided to give the appliance an attractive appearance. The appliance shall not have any mounting holes or screw heads visible when the installation is complete.

The Series RSSP Multi-Candela or single candela Strobe Plate shall be mounted on either a standard 4-inch square backbox for flush mounting, or the Wheelock SBL2 backbox for surface mounting. All notification appliances shall be backward compatible.

Specifications and Ordering Information

Model	Order Code	Wall Mount	Ceiling Mount	Non-Sync	Sync w/ SM or DSM	Strobe Candela	24 VDC	12 VDC	# Model Color Red	# Model Color White	Square or Round	UL	MEA	CSFM	FM	BFP
RSS-24MCW-FR	9400	X	—	X	X	15/30/75/110	X	—	X	—	Square	X	X	X	X	X
RSS=241575W-FR	7471	X	—	X	X	15 (75 on Axis)	X	—	X	—	Square	X	X	X	X	X
RSS-121575W-FR	7476	X	—	X	X	15 (75 on Axis)	—	X	X	—	Square	X	X	X	X	X
RSS-24MCC-FW	3158	—	X	X	X	15/30/75/95	X	—	—	X	Square	X	*	*	*	*
RSS-24MCCR-FW	3159	—	X	X	X	15/30/75/95	X	—	—	X	Round	X	*	*	*	*
RSS-24MCCH-FW	3461	—	X	X	X	115/177	X	—	—	X	Square	X	*	*	*	*
RSS-24MCCR-FW	3463	—	X	X	X	115/177	X	—	—	X	Round	x	*	*	*	*
RSS-24MCWH-FR	3465	X		X	X	135/185	X		X		Square	X	*	*	*	*
RSSWP-2475W-FR	9013	X	—	X	X	75 @ -31°F	X	—	X	—	Square	X	X	X	X	*
RSSP-121575W-FR	7798	X	—	X	X	15 (75 on Axis)	—	X	X	—	Square	X	X	X	X	X
RSSP-24MCW-FR	9402	X	—	X	X	15/30/75/110	X	—	X	—	Square	X	X	X	X	X
RSSP-241575W-FR	7793	X	—	X	X	15 (75 on Axis)	—	—	x	—	Square	X	X	X	X	X
RSSP-24MCWH-FR	9482	X		X	X	135/185	X		X		Square	X	*	*	*	*

Models are available in either red or white.

* PENDING

GAMEWELL-FCI

12 Clintonville Road, Northford, CT 06472 - Tel: (203) 484-7161 - Fax: (203) 484-7118

www.gamewell-fci.com

9020-0575 Rev. B1 page 4 of 4