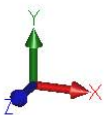
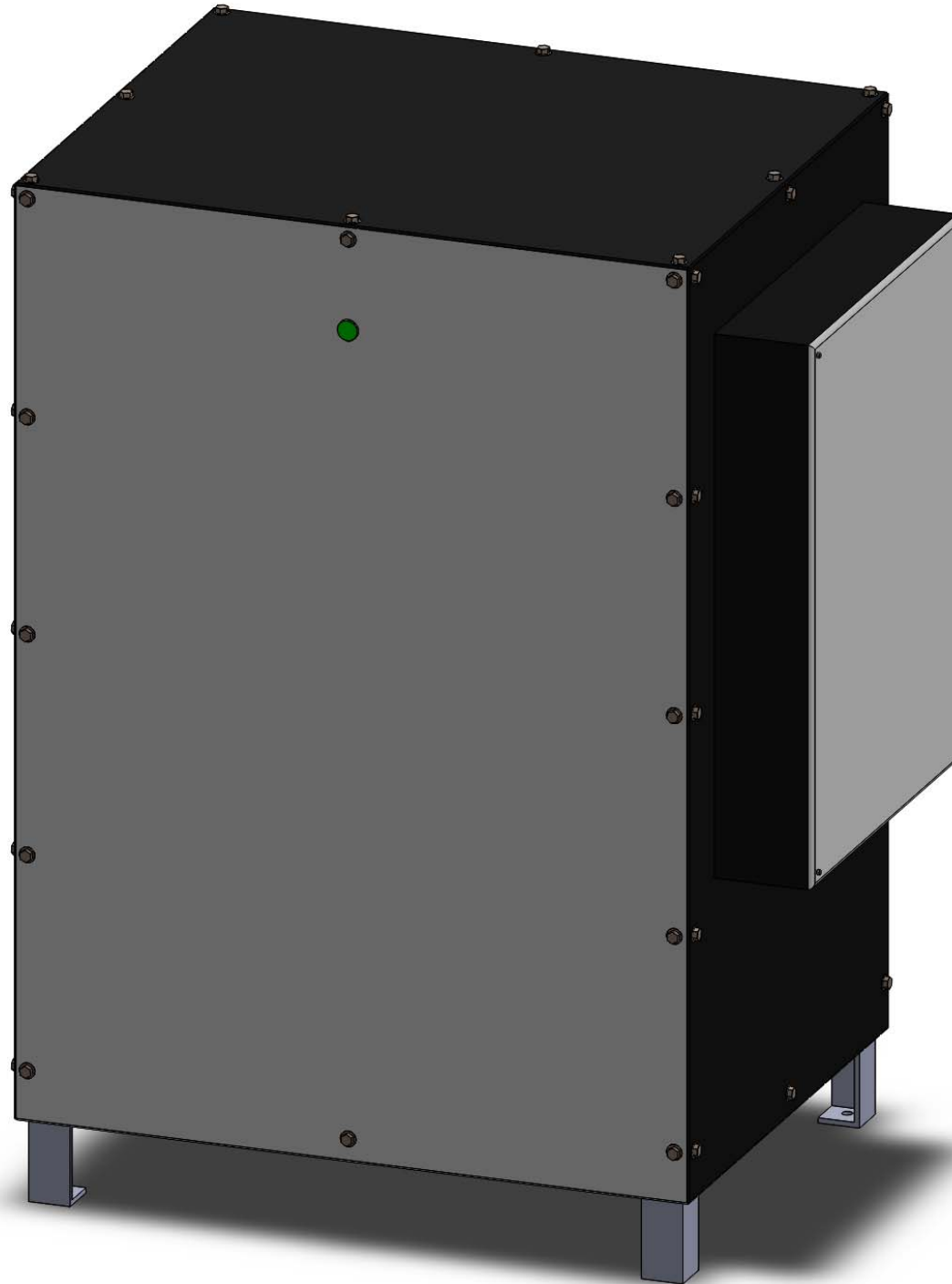
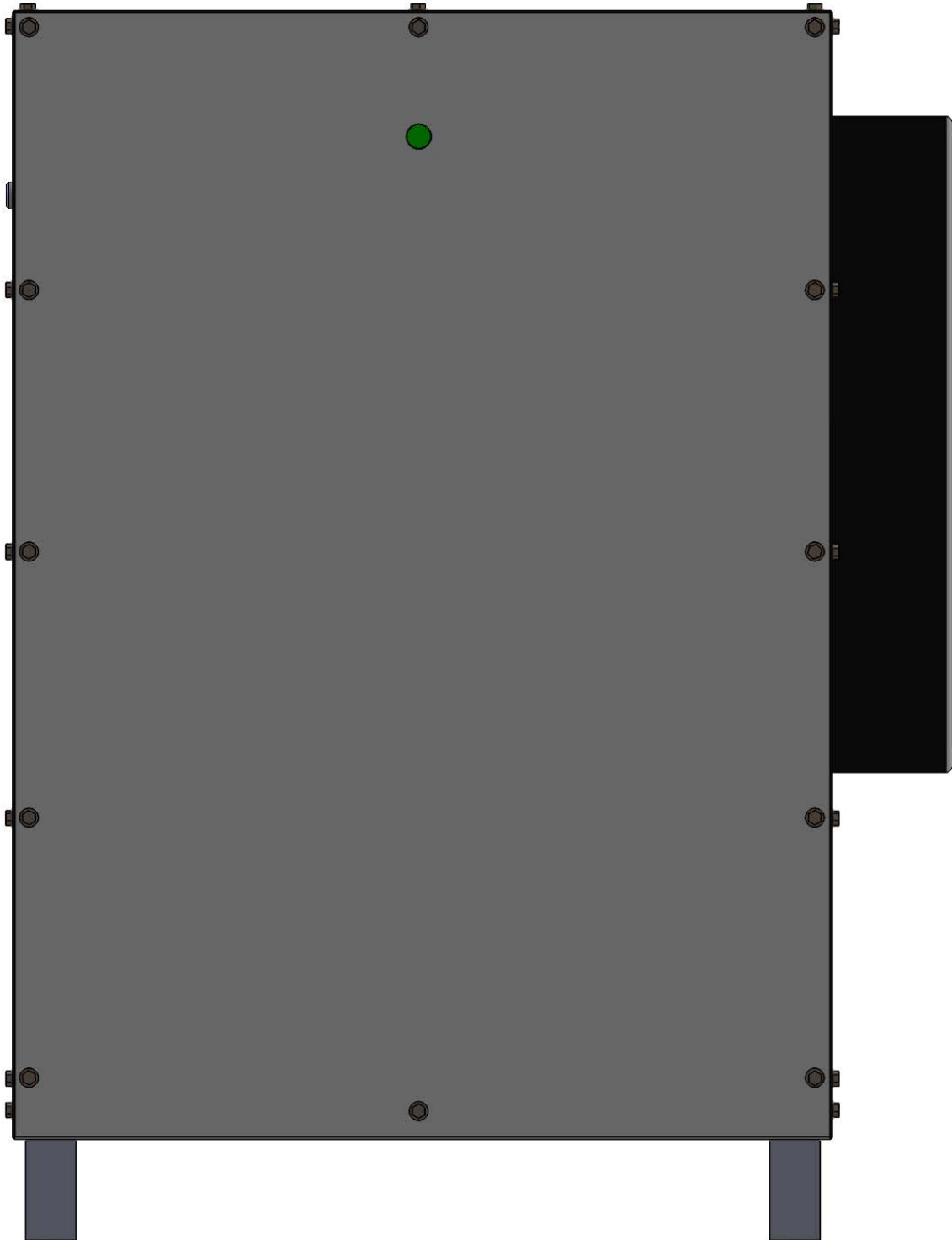


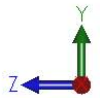
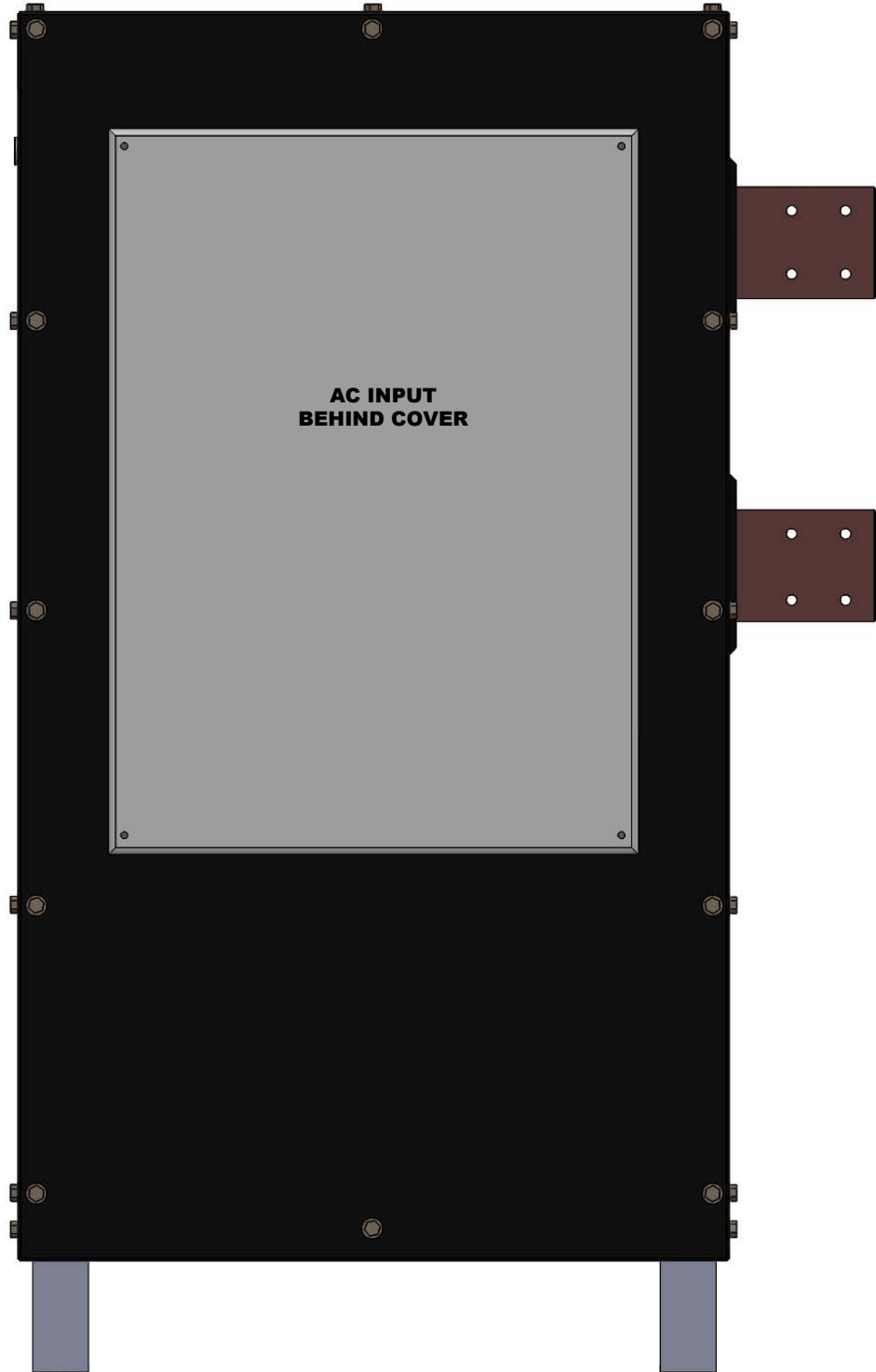
POLY #6 WATER COOLED CABINET



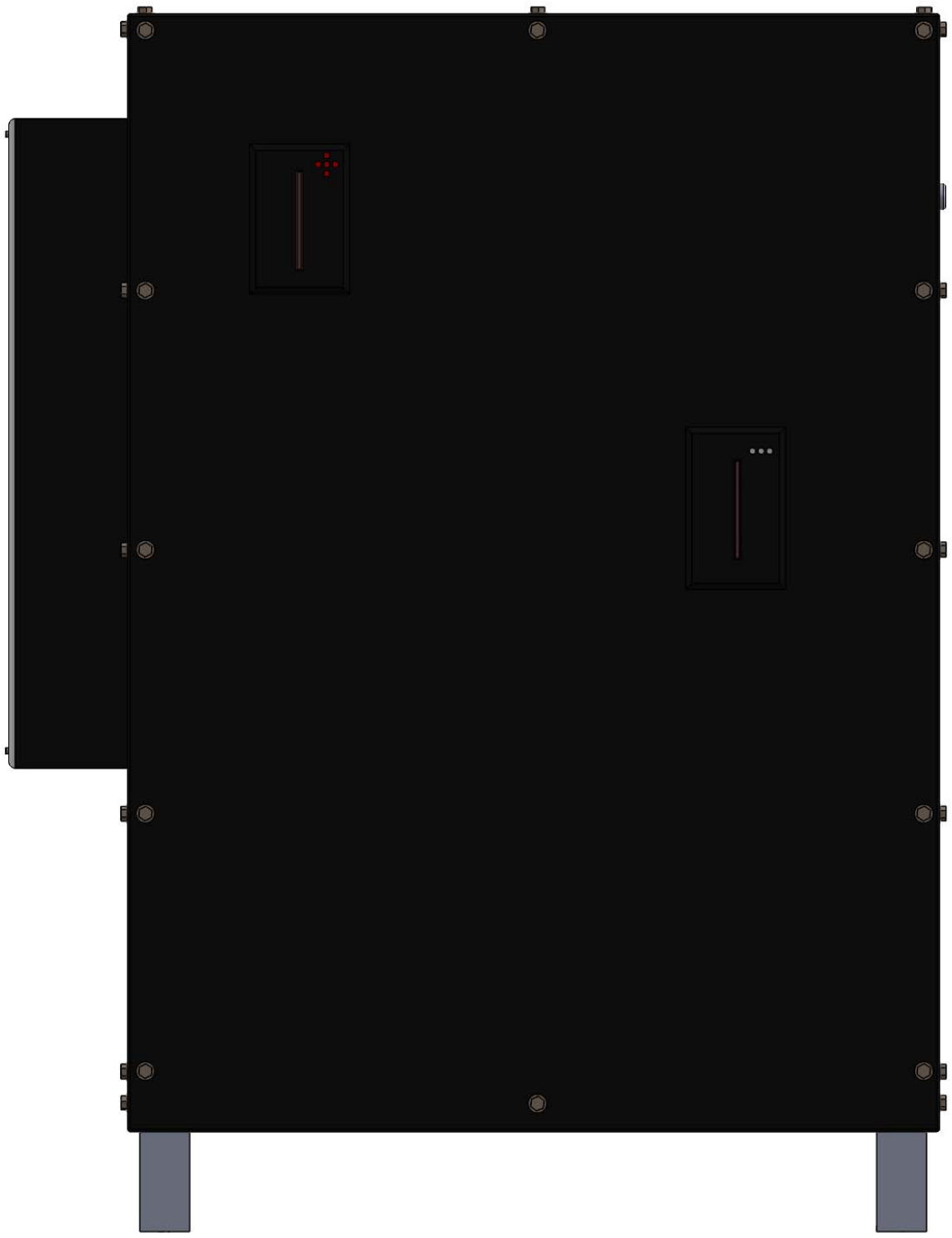
FRONT



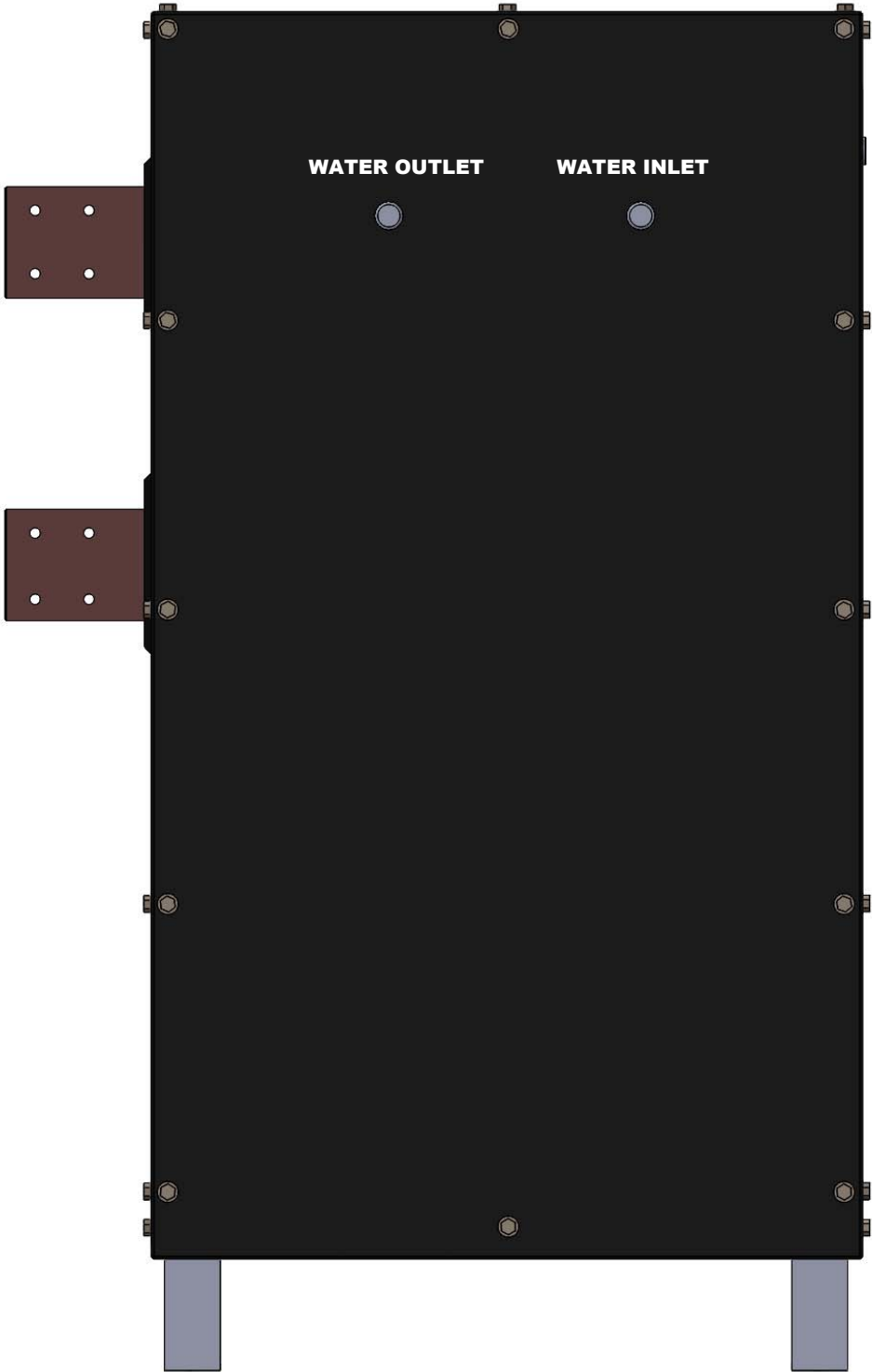
RIGHT



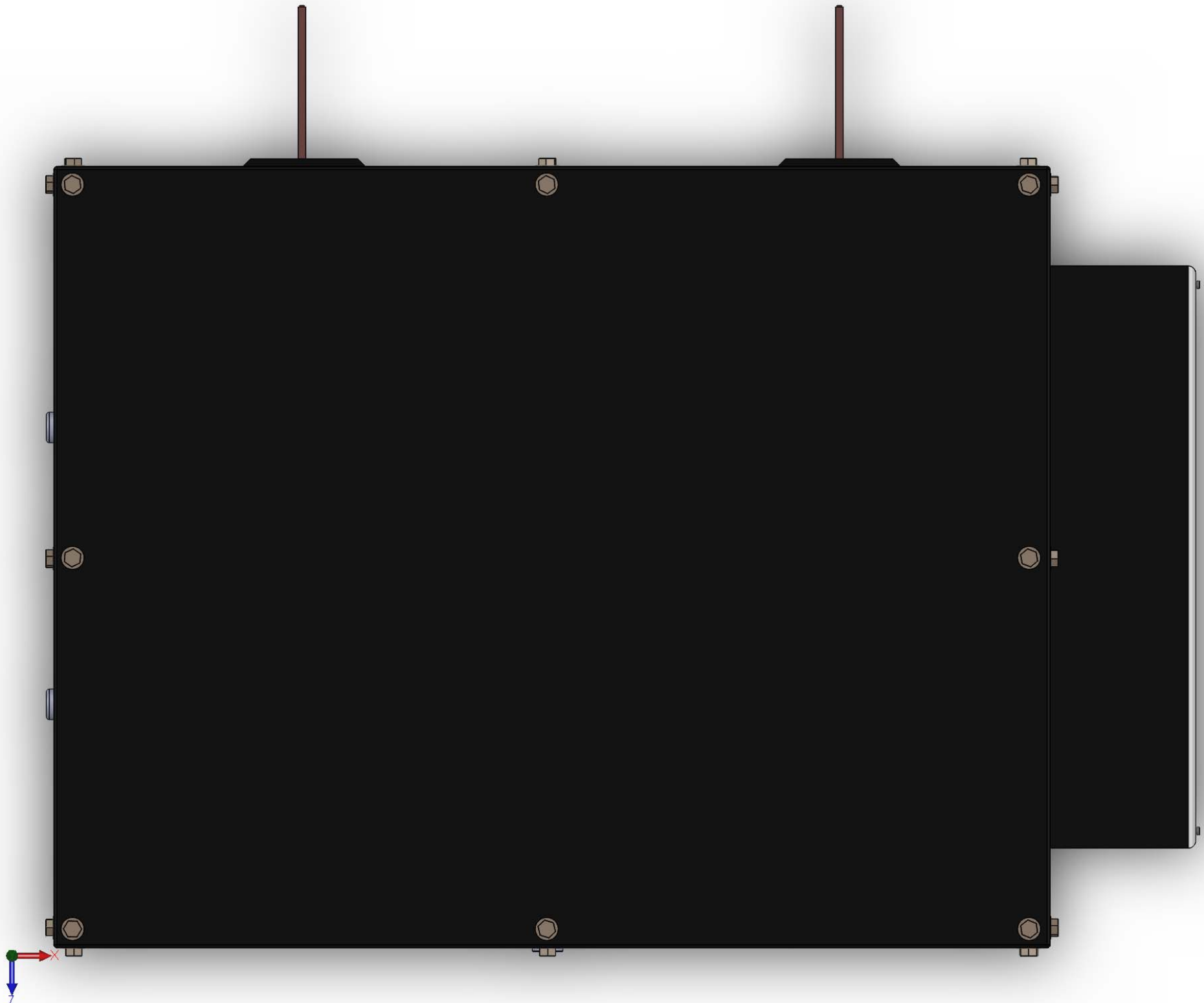
BACK

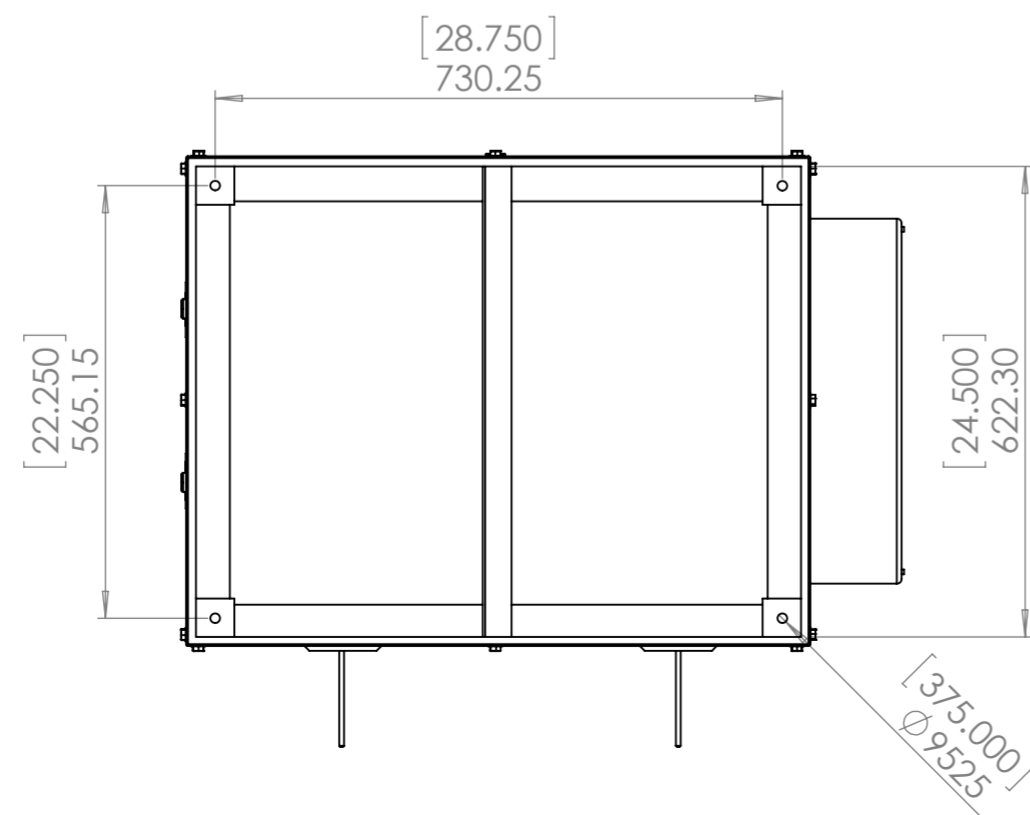
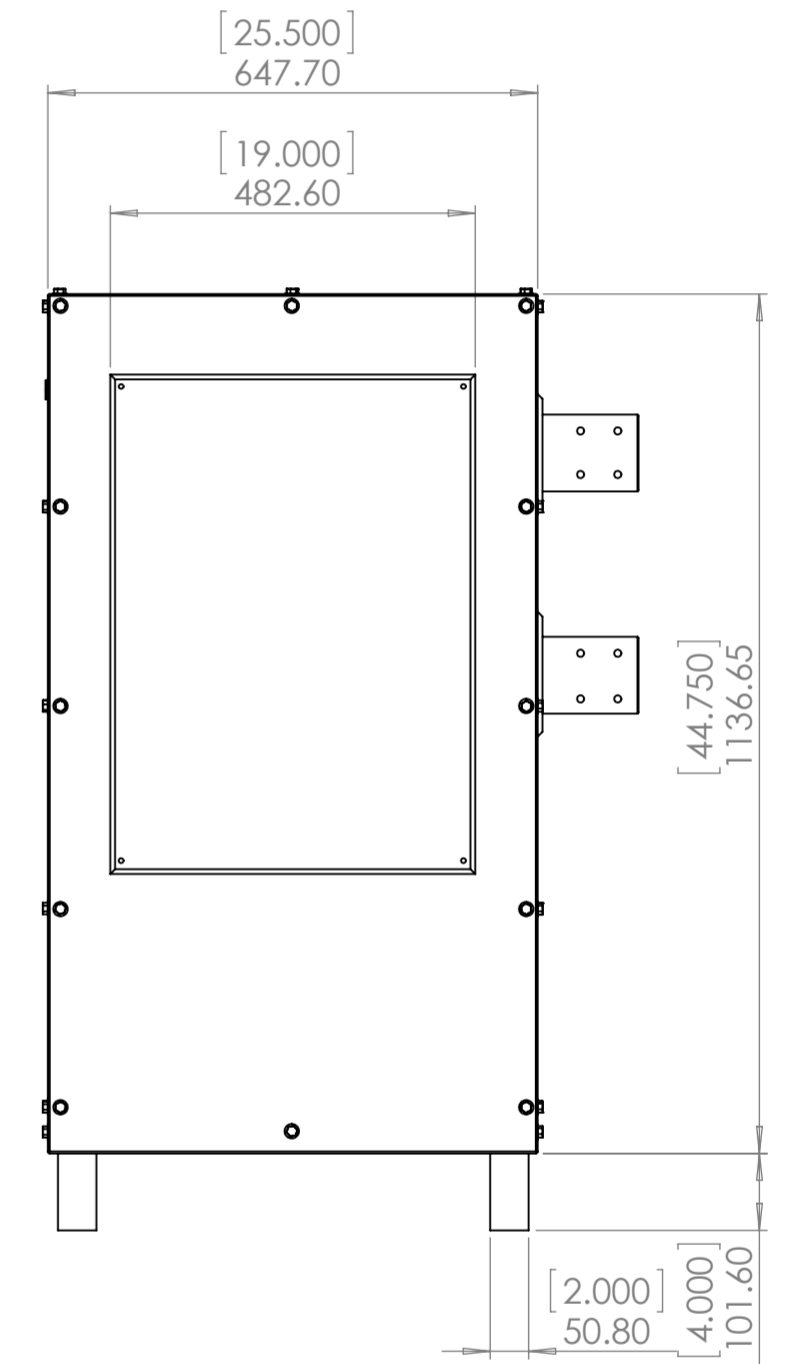
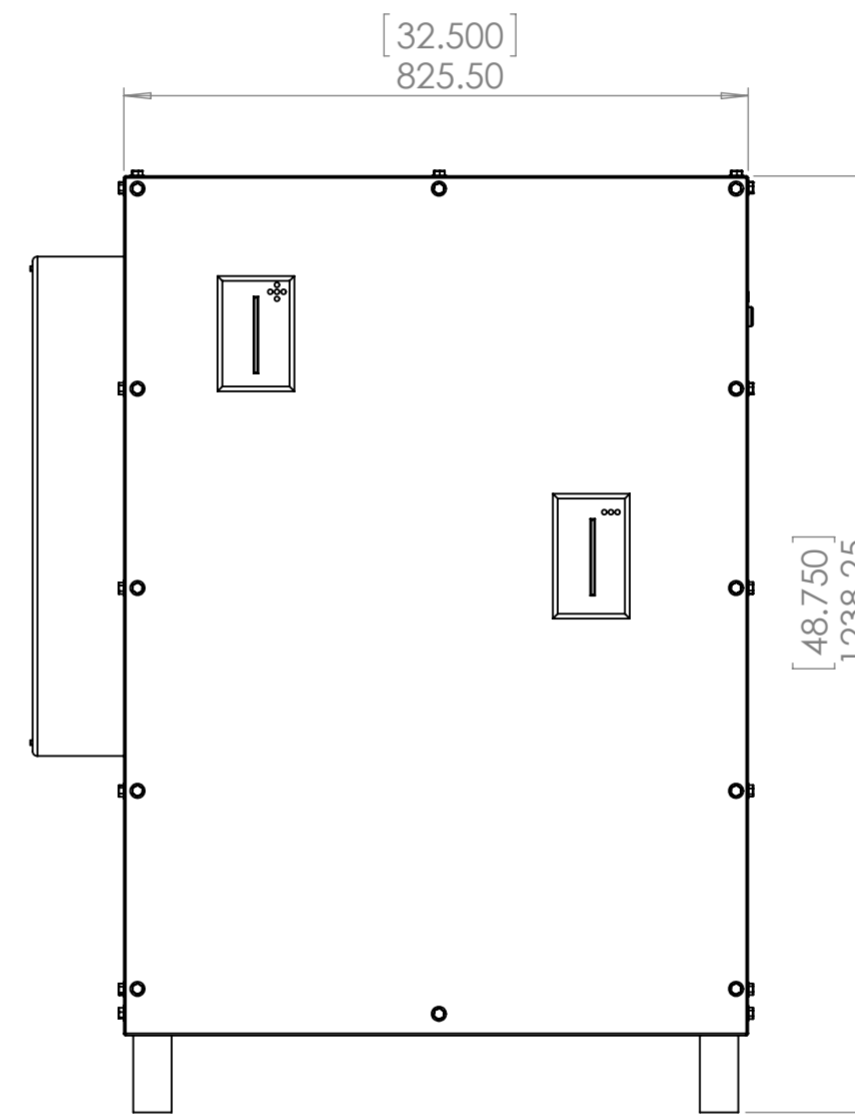
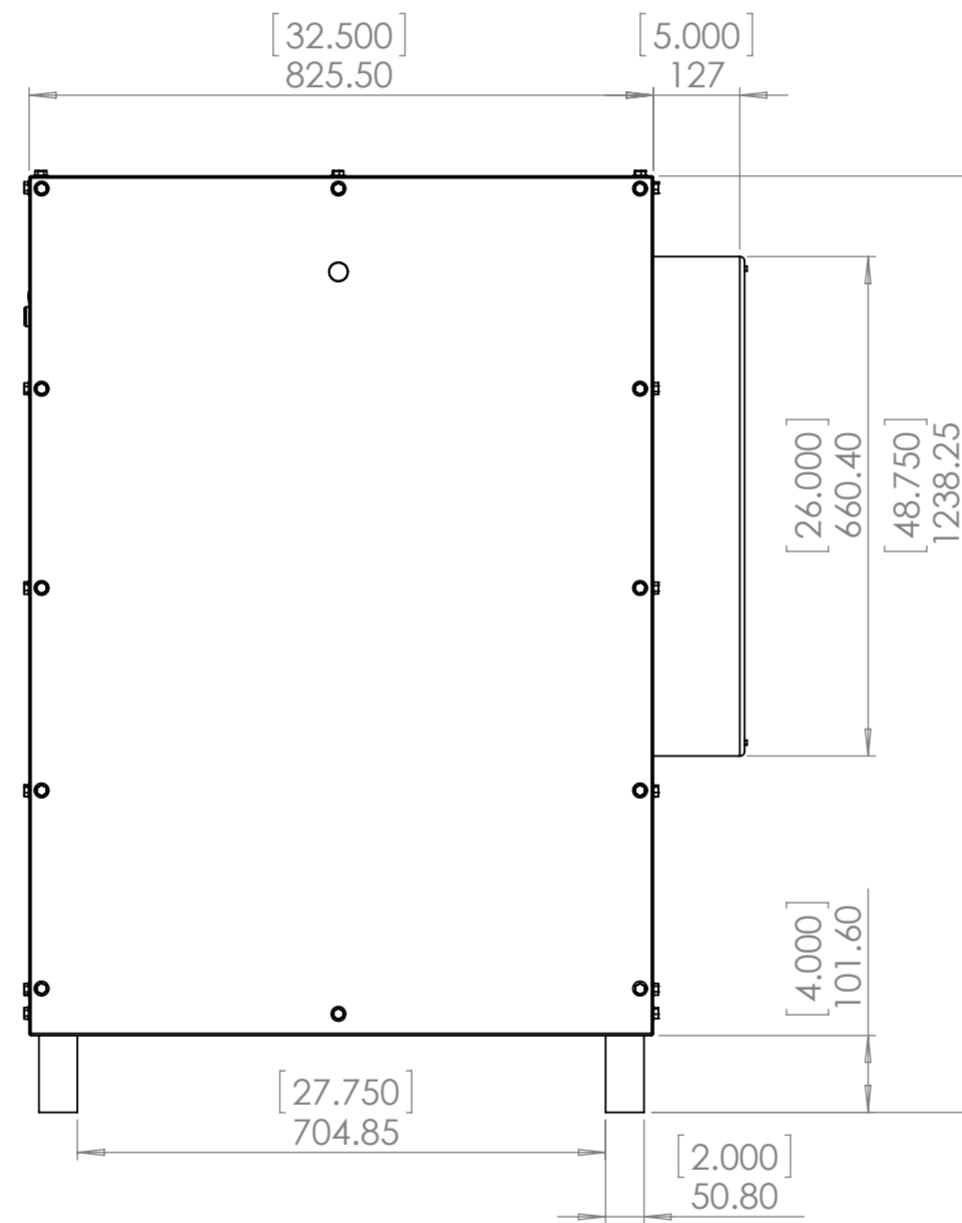
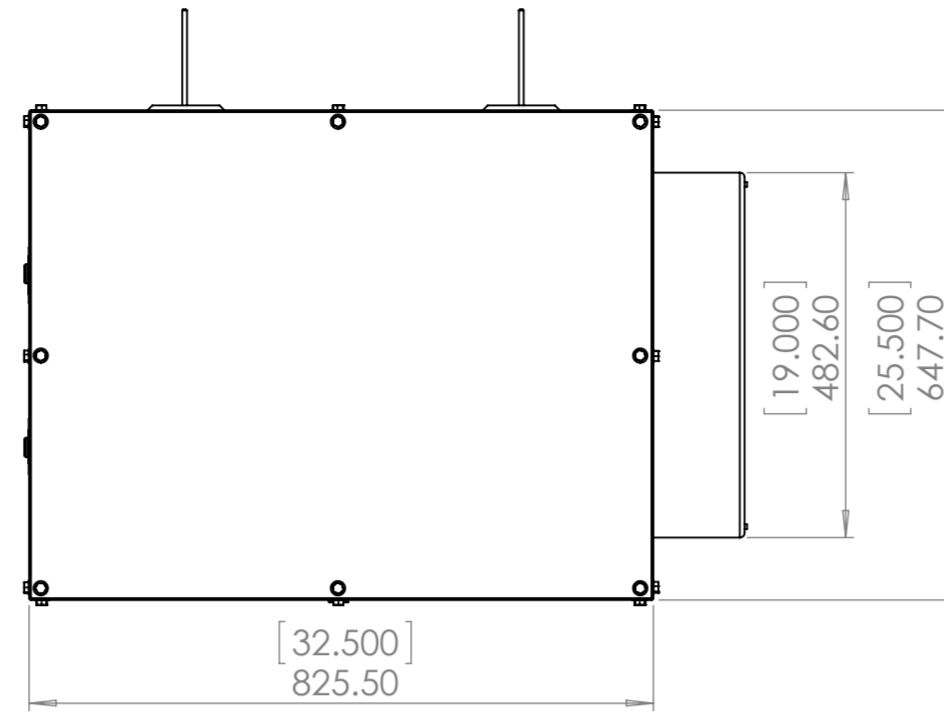
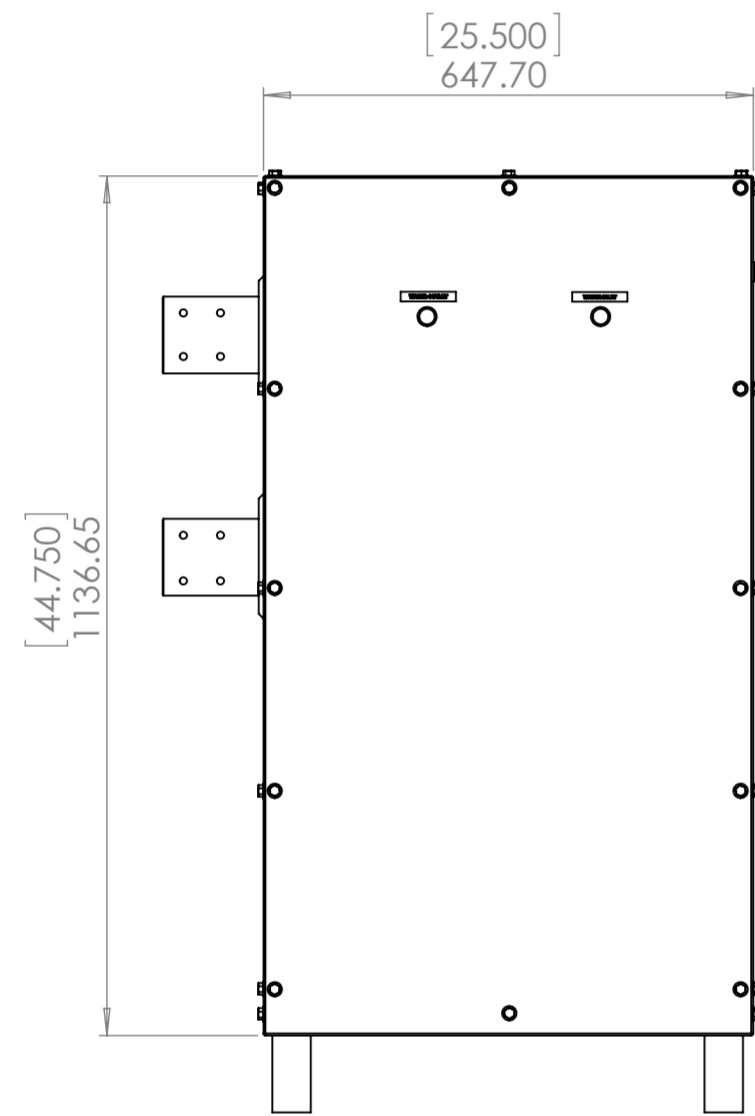


LEFT



TOP





UNLESS OTHERWISE SPECIFIED: DIMENSIONS ARE IN MILLIMETERS				FINISH:		DEBUR AND BREAK SHARP EDGES		DO NOT SCALE DRAWING		REVISION	
SURFACE FINISH:								ALDONEX, INC.			
TOLERANCES:								TITLE: ENCLOSURE			
LINEAR:											
ANGULAR:											
DRAWN: SO		NAME: SO		SIGNATURE:		DATE: 6-3-19					
CHK'D: SO		NAME: SO		SIGNATURE:		DATE: 6-3-19					
APP'VD:		NAME:		SIGNATURE:		DATE:					
MFG:		NAME:		SIGNATURE:		DATE:					
Q.A:		NAME:		SIGNATURE:		DATE:		MATERIAL: POLY		DWG NO. P-6W CABINET A2	
								WEIGHT:		SCALE: 1:10 SHEET 1 OF 1	