



# AMERICAN ELECTRIC EQUIPMENT, INC.

P.O. BOX 710 BECKLEY, WV 25801

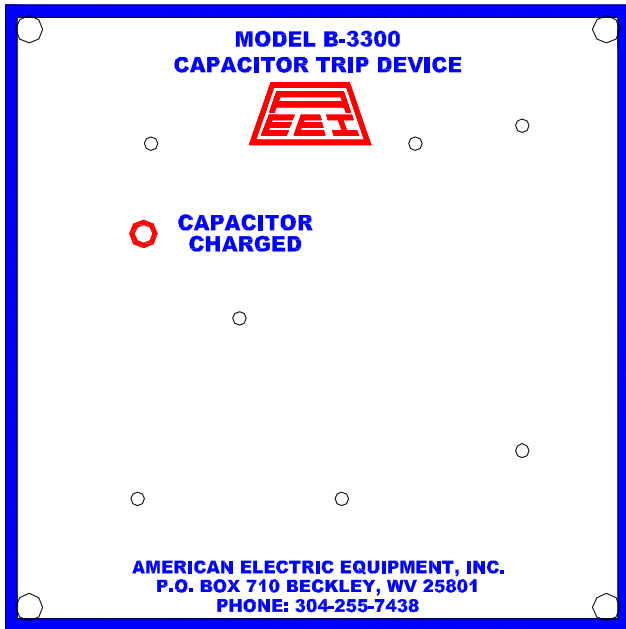
PHONE: 304-255-7438

FAX: 304-255-7448

B-3300 CAPACITOR TRIP DEVICE  
120 VAC INPUT  
CHARGES TO 300 VDC

Document A-8819

JULY 15, 2006



## Features

- ✓ 120 VAC input
- ✓ 300 VDC output
- ✓ Capacitor charged indicating light
- ✓ Direct replacement for many trip devices

## Description

The B-3300 capacitor trip assembly provides DC tripping power for high voltage circuit breaker shunt trip coils. The capacitor trip assembly requires 120 VAC input power.

## Operation

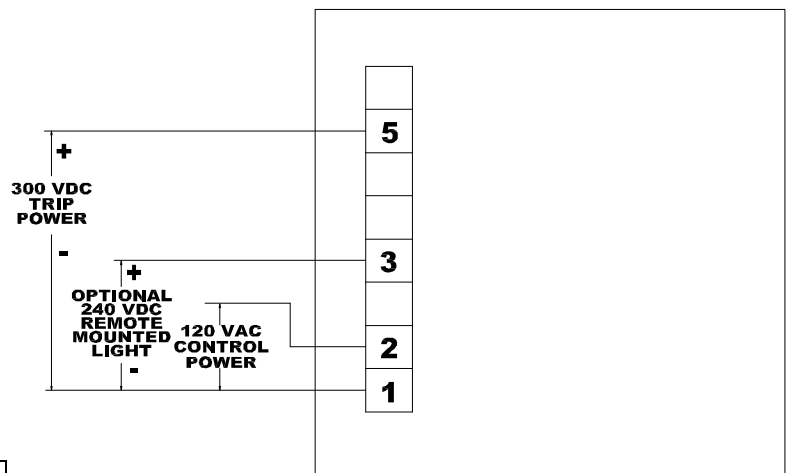
Connect input and trip circuit wires as shown on drawing. A remote mounted charged indicating light can be used.

When power is applied to the capacitor trip the capacitor will charge to 300 VDC as indicated by the capacitor charged indicating light.

## Faults

When a fault occurs stored energy of 300 VDC is available to trip shunt trip coils

## TERMINAL CONNECTIONS



## ORDERING INFORMATION

CAPACITOR TRIP PART NUMBER: A-3300

AMERICAN ELECTRIC EQUIPMENT  
P.O. BOX 710  
BECKLEY, WV  
PHONE: 304-255-7438  
FAX: 304-255-7448