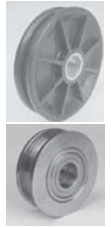




Lift Repair Catalog



LRC1000

S V I International, Inc. - Lift Repair Parts

January 2007

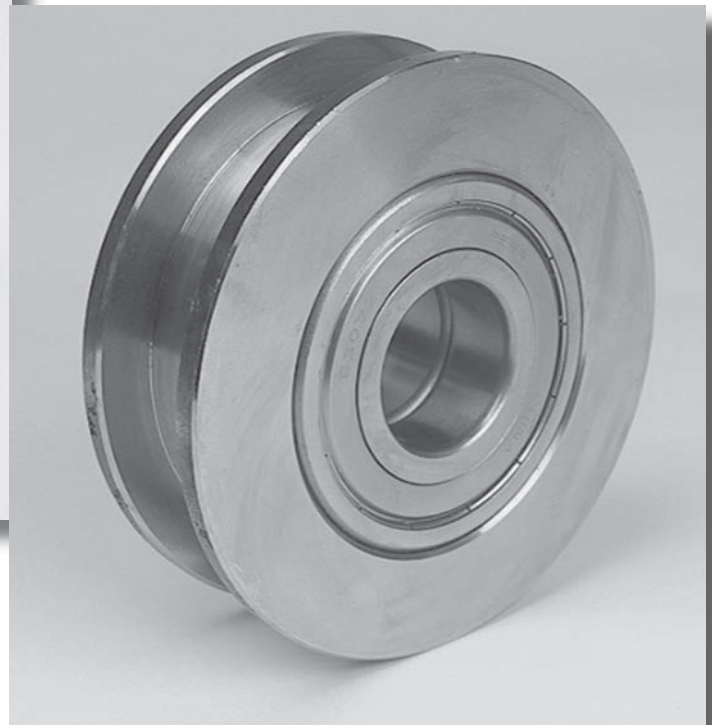
Cable Sheave & Chain Roller

Identification Guide

Select - A - Size or Customize



SVI is your answer!



SVI International, Inc
Baltimore • Chicago • Los Angeles
101 W. Illinois Ave., Aurora, IL, 60506
Ph. 800-321-8173 or 630-844-5566 • Fax 800-899-1784 or 630-844-6770
www.sviinternational.com

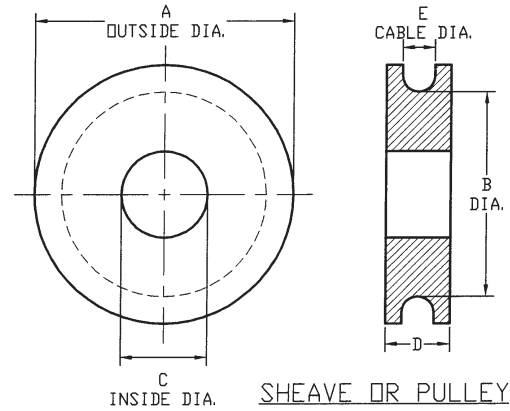
Entire Contents Copyright SVI International 2007



Cable Pulleys



Step #1. Measure your Pulley



Step #2.

Select - A - Size

SVI Part #	A	B	C	D	E	*Mtl
BH-7435-21	1-1/4	1	47/64	5/16	1/5	
BH-7229-20	1-1/2	1-1/4	1/4	9/32	1/8	P
BH-7250-76	1-1/2	1- 5/16	7/32	3/8	3/16	A
BH-7109-96	1- 9/16	1	3/8	5/8	3/8	P
BH-7517-24	1- 9/16	31/32	3/8	5/8	7/16	P
BH-7516-32	1-3/4	1	1/2	7/8	5/8	S
BH-7104-08	1-3/4	1-3/8	1/4	1/4	1/8	P
BH-7592-06	2	1-5/8	1	3/8	3/16	S
BH-7592-05	3	2-3/8	1	5/8	1/4	S
BH-7229-18	3	2-3/8	3/8	9/16	1/4	S
BH-7476-51	3	2-13/32	3/4	5/8	3/8	S
BH-7151-65	3	2- 9/16	3/8	39/64	5/16	P
BH-7452-29	3-1/4	2-1/2	1-9/16	39/64	3/8	P
BH-7450-01A	3- 5/16	2-1/2	1-3/16	39/64	3/8	S
BH-7240-10	3-3/8	2- 9/16	1-3/16	21/32	7/16	S
BH-7104-04	3- 7/16	2-5/8	3/4	3/4	1/4	P
BH-7435-73	3-1/2	2-11/16	1	3/4	5/16	S
BH-7437-86	3-1/2	2-3/4	3/4	3/4	5/16	S
BH-7100-00	3-1/2	2-7/8	3/4	9/16	3/8	P
BH-7100-00S	3-1/2	2-7/8	3/4	9/16	3/8	S
BH-7528-85	3-1/2	2-31/32	3/4	3/4	3/8	S
BH-7116-08	3-1/2					
BH-7490-00	3-5/8	2-7/8	1	3/4	3/8	S
BH-7500-50	3-5/8	2-31/32	3/4	25/32	5/16	S
BH-7500-50N	3-5/8	2-31/32	3/4	25/32	5/16	P
BH-7232-08	3-5/8	3	1	1	1/2	P
BH-7487-23	3-3/4	2-29/32	25mm (.984)	3/4	3/8	S
BH-7702-20	3-3/4	3	1-1/4	1 1/2	7/16	S or P
BH-7180-01	4	3-1/4	3/4	3/4	3/8	S

*Material: s= steel, p= plastic

To Order Call: 800 321-8173 or 630-844-5566 / Fax: 800-899-1784 or 630-844-6770

All names, numbers, symbols and descriptions are used for reference purposes only. It is not implied that any part listed is the product of these manufacturers; however, some parts may be the actual product of these manufacturers.



SVI International, Inc.



Step #2.

Select - A - Size

Sheave Sizes Continued from Page 2

SVI Part #	DimA	DimB	DimC	DimD	DimE	*Mtl	Notes
BH-7180-02	4	3-1/4	3/4	1-3/4	3/8	S	
BH-7180-03	4	3-1/4	3/4	1-5/8	3/8	S	Dual pulley
BH-7202-007	4	3-1/4	3/4	3/4	7/16	S	
BH-7771-06	4	3-1/4	3/4	3/4	3/8	S	
BH-7250-56	4	3-3/8	3/4	5/8	7/16	S	
BH-7351-51	4-7/16	3-3/8	1	25/32	3/8	S	
BH-7350-40	4-7/16	3-7/16	5/8	7/8	5/16	S	
BH-7235-00	4-3/4	4	1-3/8	3/4	3/8	S	
BH-7150-20	5	3-15/16	3/4	7/8	1/2	S	
BH-7151-20	5	3-15/16	3/4	7/8	7/16	S	
BH-7100-32	5	4	1	15/16	1/2	S	
BH-7226-13	5	4-5/16	1-3/8	15/16	7/16	S	
BH-7229-34	5	4-3/8	1	63/64	5/16	P	
BH-7229-34S	5	4-3/8	1	63/64	5/16	S	
BH-9701-02	5-5/32	4-5/8	3/4	2-1/8	5/16	S	Quad pulley
BH-7250-49	6	5-5/16	7/8	7/8	7/16	S	
BH-7254-71	6	5-3/8	1-1/2	21/32	7/16	S	
BH-7235-66	6-1/8	5-3/8	1-3/8	27/32	3/8	S	
BH-7285-08	6-3/4	5-1/2	1-1/2	45/64	13/32	S	
BH-7150-63	6-3/4	5-9/16	1-5/8	7/8	1/2	S	Dual pulley
BH-7150-67	6-3/4	5-9/16	1-5/8	7/8	1/2	S	
BH-7151-31	6-3/4	5-5/8	1-5/8	7/8	7/16	S	
BH-7287-86	6-3/4	6-1/8	1-1/2	3/4	3/8	S	
BH-7285-11	6-3/4	6-1/8	1-3/4	1	3/8	S	
BH-7501-40	7	5-31/32	1-1/4	13/16	3/8	S	
BH-7222-04	7	6-1/8	1-5/8	1	5/16	S	
BH-7436-31	7-1/4	6-1/8	1-1/2	1 3/8	3/8	S	
BH-7212-159	8	7-1/8	30mm (1.181)	1	1/2	S	
BH-7501-45	8-1/8	7	1-1/2	7/8	7/16	S	
BH-7204-015	8-1/4	7-3/8	1-9/16	1	7/16	S	
BH-7212-081	8-1/4	7-1/2	45mm (1.772)	1-13/16	3/16	S	Triple pulley
BH-7213-55	8-5/16	7-3/8	1-1/4	13/16	1/2	S	
BH-7531-51	8-13/16	7-11/16	1-1/2	7/8	7/16	S	
BH-7102-23	9	8	1-1/2	2	1/2	S	
BH-7102-88	9	8	1-1/2	2	7/16	S	
BH-7154-04	9-1/16	7-3/4	1-5/8	7/8	3/8	S	Dual pulley
BH-7151-67	9-1/8	7-13/16	1-5/8	1-3/8	7/16	S	
BH-7151-48	9-3/16	8	1-5/8	7/8	7/16	S	
BH-7531-56	9-1/4	8	1-1/2	1	1/2	S	
BH-7516-21	10-1/8	9-1/16	1-1/2	7/8	7/16	S	
BH-7501-50	11-3/4	10	1-1/2	1-13/64	9/16	S	
BH-7255-57	4	3-1/4	47/64	13/16	15/32		

*Material: s= steel, p= plastic

To Order Call: 800 321-8173 or 630-844-5566 / Fax: 800-899-1784 or 630-844-6770

All names, numbers, symbols and descriptions are used for reference purposes only. It is not implied that any part listed is the product of these manufacturers; however, some parts may be the actual product of these manufacturers.

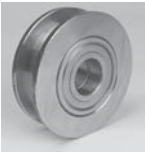


SVI International, Inc.



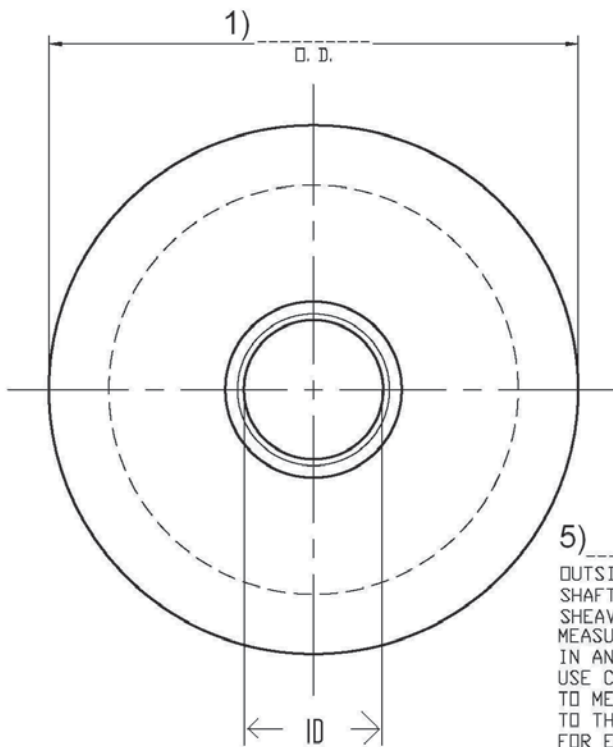
Step # 3.

Customize

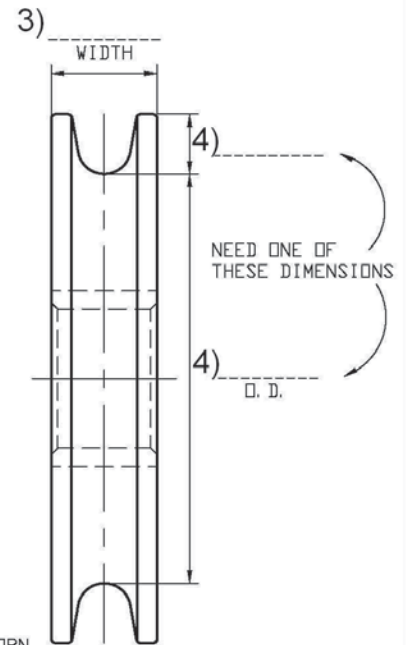


If your pulley or chain roller size can not be identified, copy this custom order sheet, then fill it out and fax it to your SVI representative at fax # 800-899-1784

Be sure to include all 5 dimensions.



2) O.D. OF CABLE



NEED ONE OF THESE DIMENSIONS

5) _____
 OUTSIDE DIAMETER OF SHAFT THAT GOES THRU SHEAVE. MEASURE OUTSIDE DIAMETER IN AN AREA THAT IS NOT WORN. USE CALIPERS OR MICROMETER TO MEASURE. GIVE DIMENSION TO THE THOUSANDTHS PLACE. FOR EXAMPLE: 1.181" O. D.

CUSTOMER NAME: _____
 PHONE #: _____
 FAX #: _____
 LIFT BRAND: _____
 MODEL: _____

THIS DRAWING IS THE PROPERTY OF SVI INTERNATIONAL, INC. IT IS NOT TO BE USED OR DUPLICATED WITHOUT WRITTEN PERMISSION OF THE OWNER AND IS NOT TO BE USED IN ANY WAY INCONSISTENT WITH THE PURPOSE FOR WHICH IT WAS LOANED.

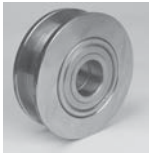
 SVI INTERNATIONAL, INC. 101 W. ILLINOIS AVE. AURORA IL. 60506 INTERNATIONAL Automotive Service Equipment	SCALE: NONE
	DATE: 12/16/05
PART NAME: CABLE SHEAVE WORKSHEET	DRAWN BY: MM
	REV.
PART No.	REF.

To Order Call: 800 321-8173 or 630-844-5566 / Fax: 800-899-1784 or 630-844-6770

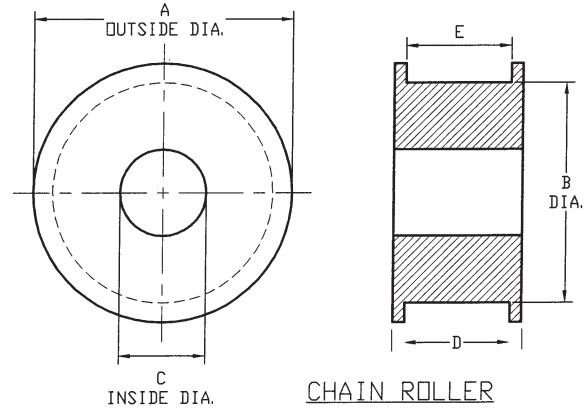
All names, numbers, symbols and descriptions are used for reference purposes only. It is not implied that any part listed is the product of these manufacturers; however, some parts may be the actual product of these manufacturers.



Chain Rollers



Step #1. Measure your Chain Roller



Step #2. *Select - A - Size*

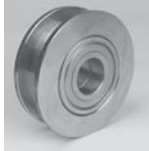
SVI Part #	Dim. A	Dim. B	Dim. C	Dim. D	Dim. E
BH-7621-15	2-3/4	2-3/8	3/4	1-13/16	1-7/16
BH-7110-27	2-15/16	2-3/8	3/4	1-3/4	1-1/2
BH-7760-99	3-1/2	3-15/64	3/4	1-3/4	1-23/64
BH-7208-19	3-7/8	3-1/2	1-1/2	1-3/8	1-1/16
BH-7208-26	3-7/8	3-1/2	1-1/2	1-3/8	1-1/16
BH-7239-46	4	3-3/4	3/4	1-25/32	1-3/8
BH-7251-14	4	3-3/4	1-3/8	1-15/16	1-9/16
BH-7621-19	4	3-3/4	1-3/8	1-3/4	1-3/16
BH-7205-24	4-1/8	3-3/4	2-3/4	2-13/64	1-51/64
BH-7621-14	4-1/8	3-3/4	3/4	1-13/16	1-7/16
BH-7350-48	4-7/16	5-1/32	1-1/2	2-3/8	1-29/32
BH-7487-20	4-1/2	3-3/4	26mm (1.024)	2-5/16	1-13/16
BH-7208-46	4-3/4	4-3/16	1-1/4	1-1/2	1-1/16
BH-7229-03	5	4	1-3/8	1-21/32	1-1/8
BH-7350-37	5-7/16	5-1/32	1-1/2	2	1-5/8
BH-7351-07	5-1/2	5	1-3/8	2-3/4	1-53/64
BH-7102-40	2-3/4	2-3/8	3/4	1-3/4	1-5/16

To Order Call: 800 321-8173 or 630-844-5566 / Fax: 800-899-1784 or 630-844-6770

All names, numbers, symbols and descriptions are used for reference purposes only. It is not implied that any part listed is the product of these manufacturers; however, some parts may be the actual product of these manufacturers.



SVI International, Inc.



Step # 3.

Customize

If your pulley or chain roller size can not be identified, copy this custom order sheet, then fill it out and fax it to your SVI representative at fax # 800-899-1784

Be sure to include all 6 dimensions.

NEED ONE OF THESE DIMENSIONS

1) OVERALL O. D.

2) NEED ONE OF THESE DIMENSIONS

2) O. D.

3) OVERALL WIDTH

4) INSIDE WIDTH

5) WIDTH

6) OUTSIDE DIAMETER OF SHAFT THAT GOES THRU PULLEY. MEASURE OUTSIDE DIAMETER IN AN AREA THAT IS NOT WORN. USE CALIPERS OR MICROMETER TO MEASURE. GIVE DIMENSION TO THE THOUSANDTHS PLACE. FOR EXAMPLE: 1.181" O. D.

← ID →

PULLEY MAY OR MAY NOT HAVE THIS STEPPED HUB.

CUSTOMER NAME: _____

PHONE #: _____

FAX #: _____

LIFT BRAND: _____

MODEL: _____

THIS DRAWING IS THE PROPERTY OF SVI INTERNATIONAL, INC. IT IS NOT TO BE USED OR REPLICATED WITHOUT WRITTEN PERMISSION OF THE OWNER AND IS NOT TO BE USED IN ANY WAY INCONSISTENT WITH THE PURPOSE FOR WHICH IT WAS LOANED.

SVI INTERNATIONAL, INC. 101 W. ILLINOIS AVE. AURORA IL. 60506 Automotive Service Equipment	SCALE: NONE
	DATE: 12/16/05
PART NAME CHAIN PULLEY WORKSHEET PART No. _____	DRAWN BY: MM
	REV. _____
	REF. _____

To Order Call: 800 321-8173 or 630-844-5566 / Fax: 800-899-1784 or 630-844-6770

All names, numbers, symbols and descriptions are used for reference purposes only. It is not implied that any part listed is the product of these manufacturers; however, some parts may be the actual product of these manufacturers.



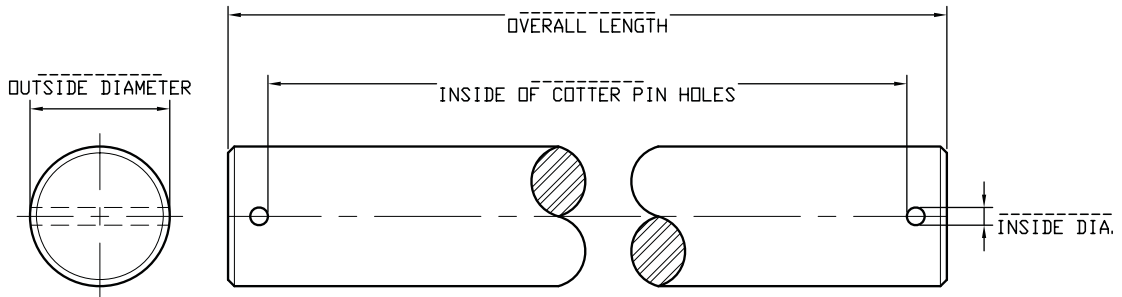
Step # 3.

Customize



If your pulley or chain roller shaft cannot be identified, copy this custom order sheet, then, fill it out and fax it to your SVI representative at fax # 800-899-1784

MEASURE OUTSIDE DIAMETER IN AN AREA THAT IS NOT WORN. USE CALIPERS OR MICROMETER TO MEASURE. GIVE DIMENSION TO THE THOUSANDTHS PLACE. FOR EXAMPLE: 1.181" O. D.



RECORD ALL MEASUREMENTS IN INCHES

NOTES:
1- REPLACEMENT SHAFT WILL BE SUPPLIED WITH TWO NEW COTTER PINS.

CUSTOMER NAME: _____
 PHONE #: _____
 FAX #: _____
 LIFT BRAND: _____
 MODEL: _____

 SVI INTERNATIONAL, INC. 101 W. ILLINOIS AVE. AURORA IL. 60506 Automotive Service Equipment	SCALE: NONE
	DATE: 12/16/05
PART NAME SHEAVE SHAFT WORKSHEET (WITH COTTER PIN RETAINERS)	DRAWN BY: MM
	REV.
PART No.	REF.

THIS DRAWING IS THE PROPERTY OF SVI INTERNATIONAL, INC. IT IS NOT TO BE USED OR DUPLICATED WITHOUT WRITTEN PERMISSION OF THE OWNER AND IS NOT TO BE USED IN ANY WAY INCONSISTENT WITH THE PURPOSE FOR WHICH IT WAS LOANED.

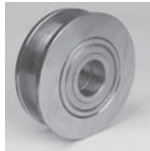
To Order Call: 800 321-8173 or 630-844-5566 / Fax: 800-899-1784 or 630-844-6770

All names, numbers, symbols and descriptions are used for reference purposes only. It is not implied that any part listed is the product of these manufacturers; however, some parts may be the actual product of these manufacturers.



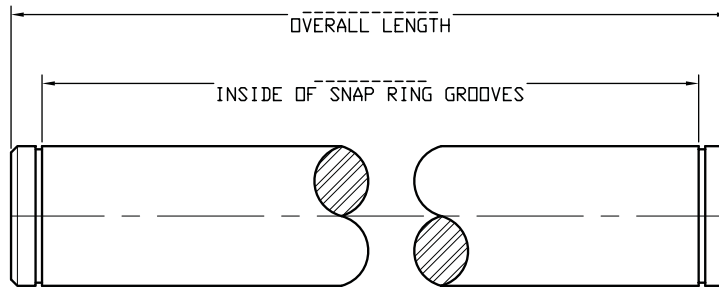
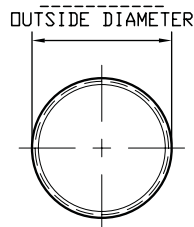
Step # 3.

Customize



If your pulley or chain roller shaft cannot be identified, copy this custom order sheet, then fill it out and fax it to your SVI representative at fax # 800-899-1784

MEASURE OUTSIDE DIAMETER
IN AN AREA THAT IS NOT WORN.
USE CALIPERS OR MICROMETER
TO MEASURE. GIVE DIMENSION
TO THE THOUSANDTHS PLACE.
FOR EXAMPLE: 1.181" O. D.



RECORD ALL MEASUREMENTS IN INCHES

NOTES:
1- REPLACEMENT SHAFT WILL BE SUPPLIED
WITH TWO NEW SNAP RINGS.

CUSTOMER NAME: _____

PHONE #: _____

FAX #: _____

LIFT BRAND: _____

MODEL: _____

	S V I INTERNATIONAL ,INC. 101 W. ILLINOIS AVE. AURORA IL. 60506 Automotive Service Equipment	SCALE: NONE
		DATE: 12/16/05
PART NAME SHEAVE SHAFT WORKSHEET (WITH SNAP RING RETAINERS)	PART No.	DRAWN BY: MM
		REV.
		REF.

THIS DRAWING IS THE PROPERTY OF SVI INTERNATIONAL, INC. IT IS NOT TO BE USED OR DUPLICATED WITHOUT WRITTEN PERMISSION OF THE OWNER AND IS NOT TO BE USED IN ANY WAY INCONSISTENT WITH THE PURPOSE FOR WHICH IT WAS LOANED.

To Order Call: 800 321-8173 or 630-844-5566 / Fax: 800-899-1784 or 630-844-6770

All names, numbers, symbols and descriptions are used for reference purposes only. It is not implied that any part listed is the product of these manufacturers; however, some parts may be the actual product of these manufacturers.