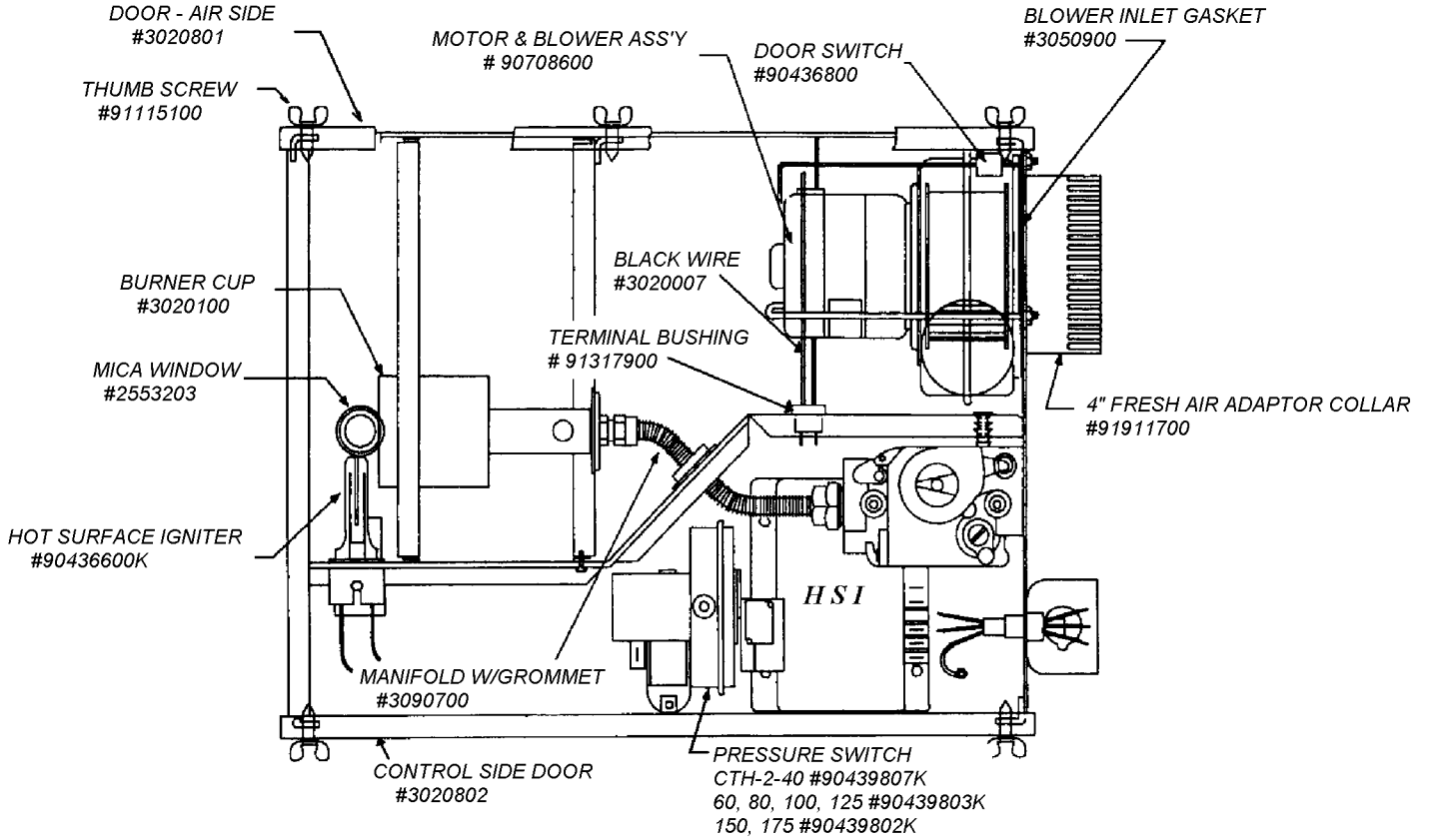


VANTAGE CTH-2

WITH HONEYWELL H.S.I. MODULE - TILL NOV. 98'

REV. 7/2010

TOP VIEW



SIDE VIEW - CONTROL SIDE

