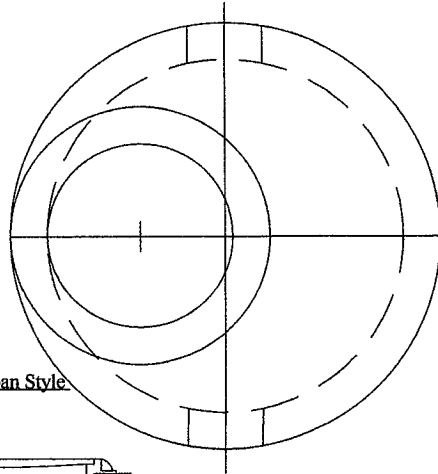
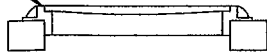


60" Manhole Stackout

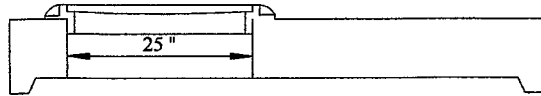
Plan View



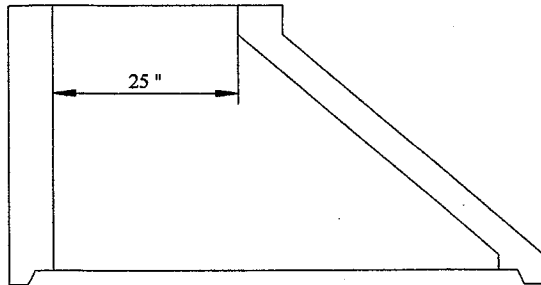
Cast Iron F&C Suburban Style



2", 3", 4" & 6"

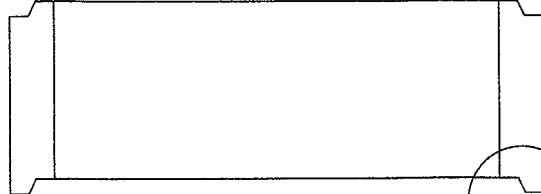


8"

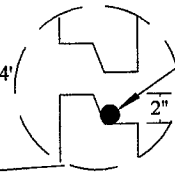


3'

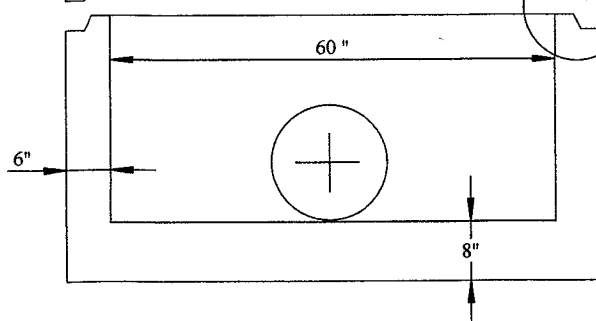
Section Weights:
Base - 2000 lbs.
Sections - Approx 1300 lbs/ft
Cone - 4100 lbs.
Flat Top - 3030 lbs.



1', 2', 3' & 4'



Mastic Seal or Grout



2', 3' & 4'

8"

6"