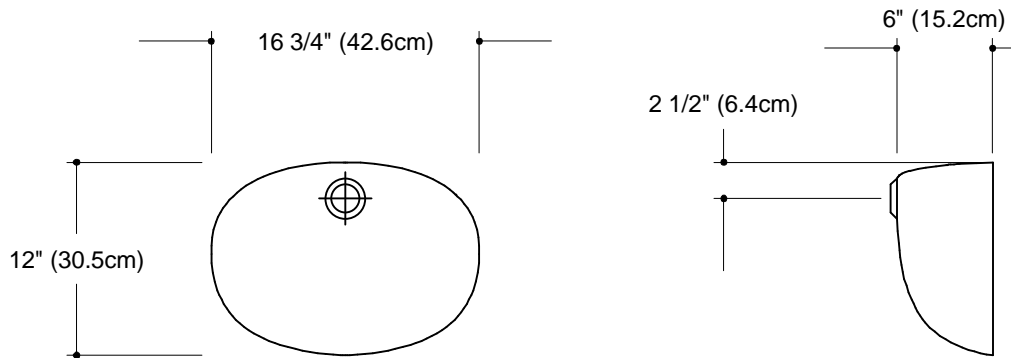


GRUBER SYSTEMS RESERVES THE RIGHT TO CHANGE THIS INFORMATION AT ANY TIME WITHOUT PRIOR NOTICE. ISSUED BY GRUBER SYSTEMS INC., 25636 AVENUE STANFORD, VALENCIA, CA 91355, USA. COPYRIGHT 2002



MOLD PART	CATALOG No.	DESCRIPTION
MALE	20044	108-V VENTURA
FEMALE	400447	F-108 V VENTURA
PERMANENT HATS	002190	PH-V
	002191	PH-V NO OVERFLOW
REUSABLE HATS	013683	RH-V
	013689	RH-V NO OVERFLOW
NAME	108 V VENTURA	
CAST WEIGHT	SCALE 1" = 1' 0"	DATE 8-30-02 PAGE No. BF-43