

Theater Dressing Room Make-up Mirror Lighting



Beautiful Hollywood Style

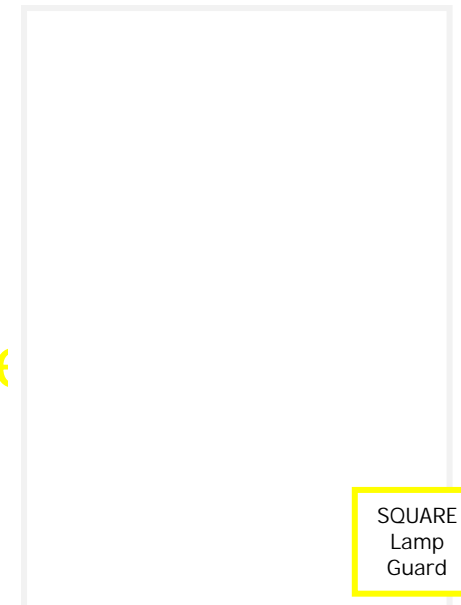
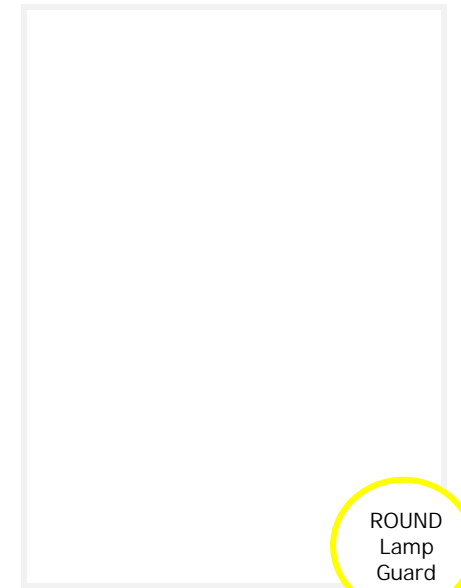
2+2 or SLC Decorative Strip Lights

Transforms any dressing room befitting a star! Custom built in any configuration.

You're the director and our supporting cast of engineers will work with any design, special lengths, miters, lamp spacing and curving. Extruded aluminum with satin, polished aluminum or polished gold finish standard, custom finishes available upon special request.

3 styles of lamp guards are available. Hex, Round and Square
See lamp guard information page for information.

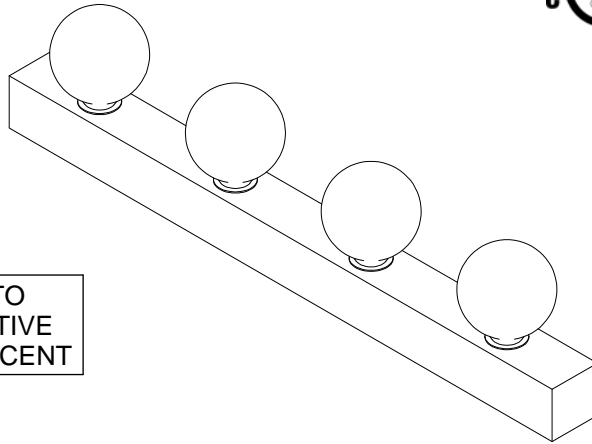
Ideal for use with screw base LED high C.R.I. energy efficient alternate to incandescent lamps.



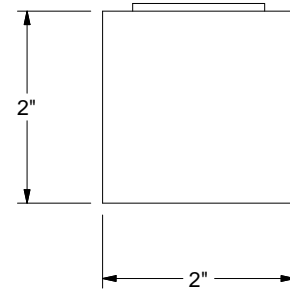
Specifications at Dressing Room / Make-up
Products at www.airdynamics.com



Type: _____



BACK TO
DECORATIVE
INCANDESCENT

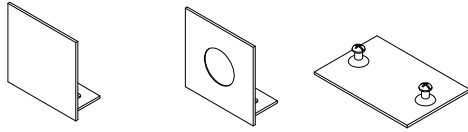


<u>DESCRIPTION</u>	<u>SATIN</u> <u>ALUMINUM</u>	<u>POLISHED</u> <u>ALUMINUM</u>	<u>POLISHED</u> <u>GOLD</u>
2' FIXTURE, 4 LAMP HOLDERS, 6" O.C.	222060	222061	222062
3' FIXTURE, 6 LAMP HOLDERS, 6" O.C.	223060	223061	223062
4' FIXTURE, 8 LAMP HOLDERS, 6" O.C.	224060	224061	224062
5' FIXTURE, 10 LAMP HOLDERS, 6" O.C.	225060	225061	225062
10' FIXTURE, 20 LAMP HOLDERS, 6" O.C.	220060	220061	220062
2' FIXTURE, 2 LAMP HOLDERS, 12" O.C.	222120	222121	222122
3' FIXTURE, 3 LAMP HOLDERS, 12" O.C.	223120	223121	223122
4' FIXTURE, 4 LAMP HOLDERS, 12" O.C.	224120	224121	224122
5' FIXTURE, 5 LAMP HOLDERS, 12" O.C.	225120	225121	225122
10' FIXTURE, 10 LAMP HOLDERS, 12" O.C.	220120	220121	220122

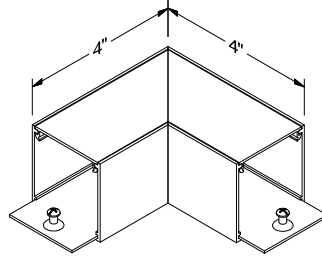
SPECIFICATIONS

- Extruded aluminum with satin, polished aluminum or polished gold finish standard, custom finishes available upon special request.
- Supplied with flush mounted porcelain medium base lamp holders, lamps by others.
- Fixtures are shipped with blank end caps, for continuous row mounting, simply remove end caps where luminaires meet, and use the internal coupler (provided) to make a seamless link.
- Easy installation and wiring through snap off wiring compartment.
- Incandescent lamps are easily dimmed with standard dimming controls.
- 60 watt max lamps for ceiling mount, 150 watt max for wall mounting or lamp base down mounting.
- Ideal for use with screw base energy efficient alternate to incandescent lamps.
- All units are UL & CUL LISTED damp locations. Optionally available for wet locations.
- Consult factory for special lengths, miters, lamp spacing, curving & layouts,
- On custom length continuous row luminaires lamp centers are adjusted to fit evenly over the length of the fixture.
- Lamp guards are available. See lamp guard sheets for information.

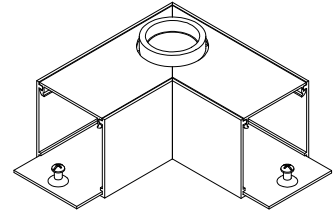
Type: _____



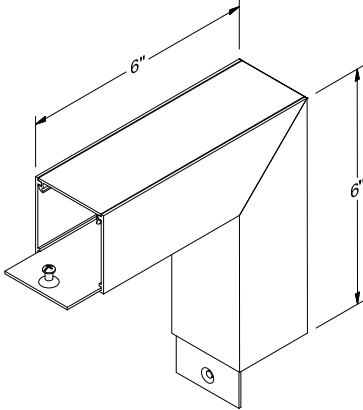
BLANK END FEED END COUPLING



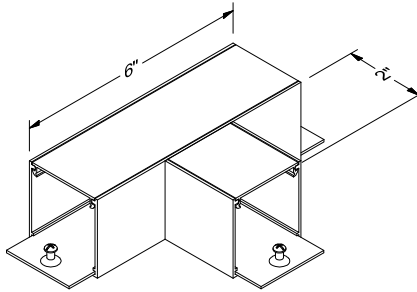
FLAT ELBOW



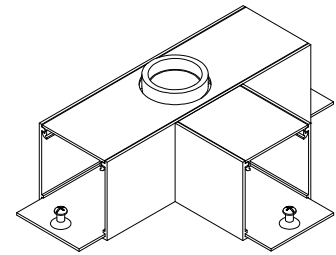
FLAT ELBOW W/ LAMP



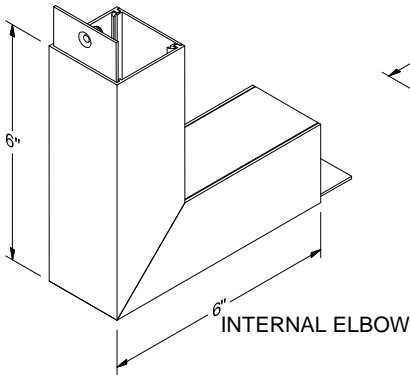
EXTERNAL ELBOW



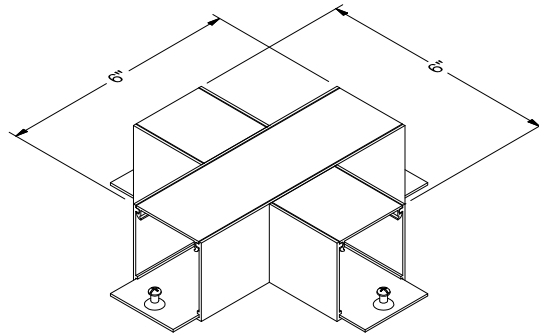
FLAT TEE



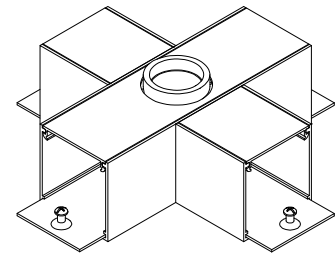
FLAT TEE W/ LAMP



INTERNAL ELBOW



FLAT CROSS



FLAT CROSS W/ LAMP

DESCRIPTION

- COUPLING
- BLANK END
- FEED END FITTING, W/ 1/2" KO
- FLAT ELBOW
- FLAT ELBOW W/ LAMP HOLDER
- INTERNAL ELBOW
- EXTERNAL ELBOW
- TEE
- TEE W/ LAMPHOLDER
- CROSS
- CROSS W/ LAMPHOLDER

**SATIN
ALUMINUM**

- 220430
- 220470
- 220480
- 220890
- 220910
- 220920
- 220930
- 220940
- 220950
- 220960

**POLISHED
ALUMINUM**

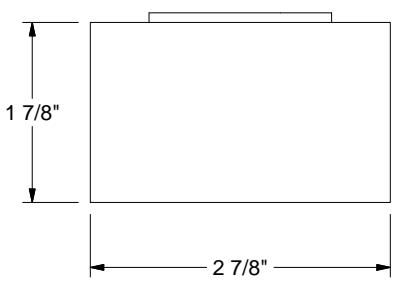
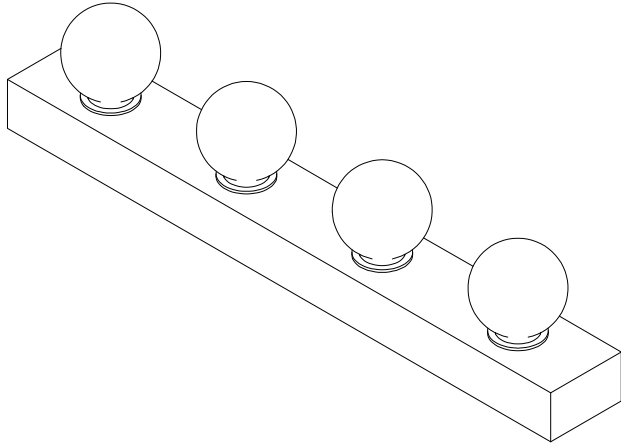
- 220430
- 220471
- 220481
- 220891
- 220911
- 220921
- 220931
- 220941
- 220951
- 220961

**POLISHED
GOLD**

- 220430
- 220472
- 220482
- 220892
- 220902
- 220912
- 220922
- 220932
- 220942
- 220952
- 220962

LAMPGUARDS AVAILABLE IN SQUARE, ROUND OR HEX SHAPES. SEE LAMPGUARD SPEC SHEET FOR MORE INFORMATION.

Type: _____



BACK TO
DECORATIVE
INCANDESCENT

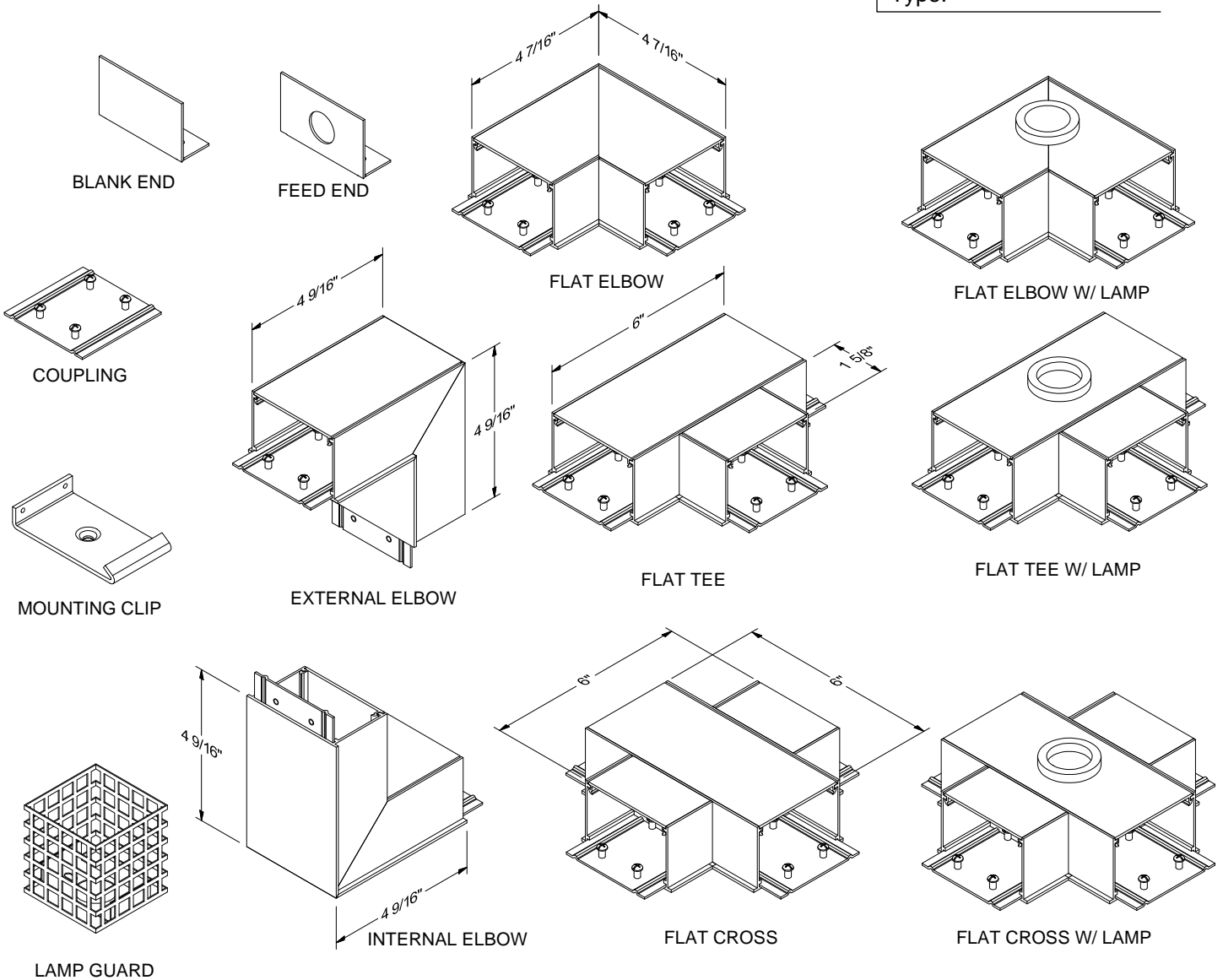
<u>DESCRIPTION</u>	<u>SATIN ALUMINUM</u>
2' FIXTURE, 6 LAMP HOLDERS, 4" O.C.	330204
3' FIXTURE, 9 LAMP HOLDERS, 4" O.C.	330304
4' FIXTURE, 12 LAMP HOLDERS, 4" O.C.	330404
8' FIXTURE, 24 LAMP HOLDERS, 4" O.C.	330804
2' FIXTURE, 4 LAMP HOLDERS, 6" O.C.	330206
3' FIXTURE, 6 LAMP HOLDERS, 6" O.C.	330306
4' FIXTURE, 8 LAMP HOLDERS, 6" O.C.	330406
8' FIXTURE, 12 LAMP HOLDERS, 6" O.C.	330806
2' FIXTURE, 2 LAMP HOLDERS, 12" O.C.	330212
3' FIXTURE, 3 LAMP HOLDERS, 12" O.C.	330312
4' FIXTURE, 4 LAMP HOLDERS, 12" O.C.	330412
8' FIXTURE, 5 LAMP HOLDERS, 12" O.C.	330812
3' FIXTURE, 1 LAMP HOLDER, 24" O.C.	330324
4' FIXTURE, 2 LAMP HOLDERS, 24" O.C.	330424
8' FIXTURE, 4 LAMP HOLDERS, 24" O.C.	330824

SPECIFICATIONS

- Extruded aluminum with anodized finish standard, custom finishes upon special request.
- Supplied with flush mounted porcelain medium base lamp holders, lamps by others.
- Fixtures are shipped with blank end caps, for continuous row mounting, simply remove end caps where luminaires meet, and use the internal coupler (provided) to make a seamless link.
- Easy installation and wiring through snap off wiring compartment.
- Incandescent lamps are easily dimmed with standard dimming controls.
- 60 watt max lamps for ceiling mount, 150 watt max for wall mounting or lamp base down mounting.
- Ideal for use with screw base energy efficient alternate to incandescent lamps.
- All units are UL & CUL LISTED damp locations. Optionally available for wet locations.
- Consult factory for special lengths, miters, lamp spacing, curving & layouts.
- On custom length continuous row luminaires lamp centers are adjusted to fit evenly over the length of the fixture.
- Lamp guards are available in square, round or hex shapes. See lamp guard sheets for information.



Type: _____



DESCRIPTION

COUPLING	330430
BLANK END	330470
END FITTING, 1/2" K.O.	330480
MOUNTING CLIP	330490
FLAT ELBOW	330890
FLAT ELBOW W/ LAMPHOLDER	330900
INTERNAL ELBOW	330910
EXTERNAL ELBOW	330920

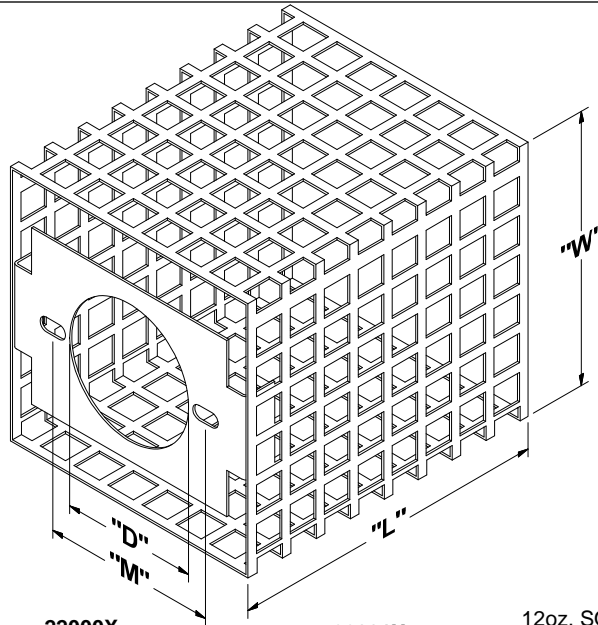
**SATIN
ALUMINUM**

DESCRIPTION

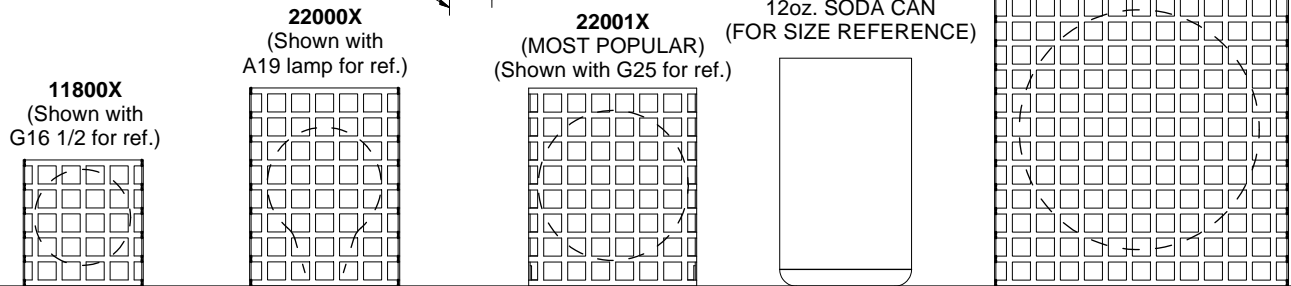
TEE	330930
TEE W/ LAMPHOLDER	330940
CROSS	330950
CROSS W/ LAMPHOLDER	330960
"A" TYPE LAMPGUARD	220001
"G25" TYPE LAMPGUARD	220011
"G40" TYPE LAMPGUARD	220021

**SATIN
ALUMINUM**

Type: _____



BACK TO
DECORATIVE
INCANDESCENT

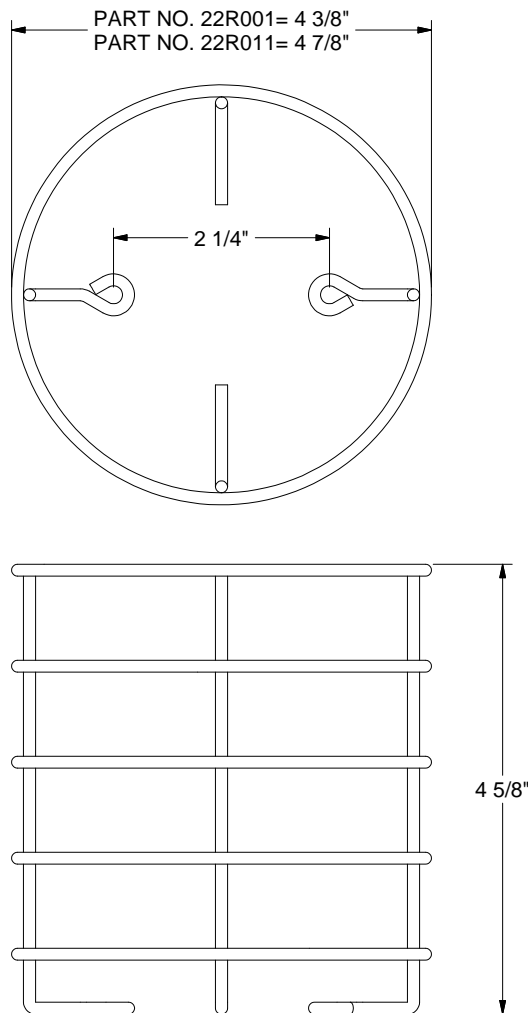


PART NO.	FINISH	DESCRIPTION	"W"	"L"	"D"	"M"
118001	Bright Nickel	Candelabra base up to G16 1/2 lamp	2 1/2"	2 5/8"	1 1/16"	1 3/4"
118002	Bright Brass	Candelabra base up to G16 1/2 lamp	2 1/2"	2 2/8"	1 1/16"	1 3/4"
220001	Bright Nickel	Medium base up to A19 lamp	3 1/8"	4 1/8"	1 3/4"	2 1/4"
220002	Bright Brass	Medium base up to A19 lamp	3 1/8"	4 1/8"	1 3/4"	2 1/4"
220011	Bright Nickel	Medium base up to G25 lamp	3 1/2"	4 1/8"	1 3/4"	2 1/4"
220012	Bright Brass	Medium base up to G25 lamp	3 1/2"	4 1/8"	1 3/4"	2 1/4"
220021	Bright Nickel	Medium base up to G40 lamp	6 1/8"	7 1/8"	1 3/4"	2 1/4"
220022	Bright Brass	Medium base up to G40 lamp	6 1/8"	7 1/8"	1 3/4"	2 1/4"

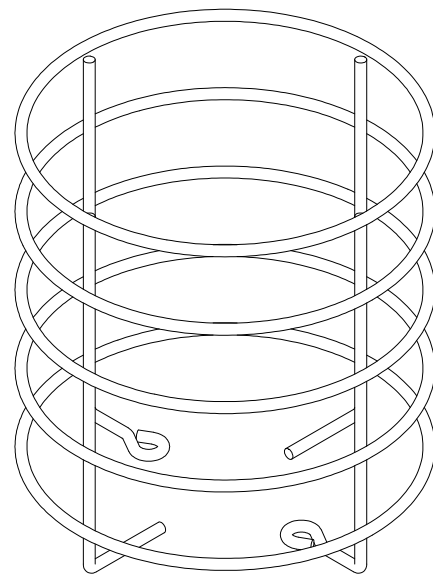
SPECIFICATIONS

- Lamp guards are available in bright nickel plating for satin aluminum and polish aluminum luminaires.
- For polished gold luminaires, lamp guards are available in bright brass plating.
- Lamp guards are available with a custom painted finish on special order.
- All lamp guards are manufactured from 3/8" square opening, 1/8" web, 22 ga. c.r.s. The 220021 and 220022 have 1/2" X 16 ga. c.r.s. stiffeners top and bottom.
- Complies with National Electrical Code (NEC) Section #520.72, which states:
All incandescent lamps in dressing rooms, where less than 8 feet (2.5 m) from floor, shall be equipped with open-end guards riveted to the outlet box cover or otherwise sealed or locked in place.
- Luminaires will be prepunched for mounting screws when ordered with lamp guards.
- Field drilling may be required if luminaires are ordered separately.

Type: _____



BACK TO
DECORATIVE
INCANDESCENT



PART NO.

22R001

22R011

FINISH

Bright Nickel

Bright Nickel

DESCRIPTION

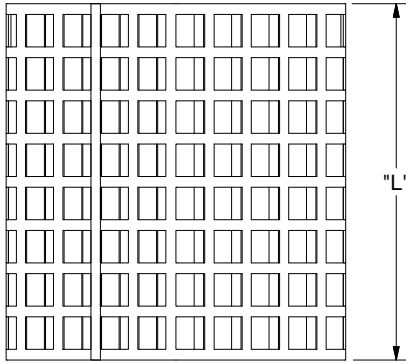
Medium Base up to A19 lamp

Medium Base up to G25 lamp

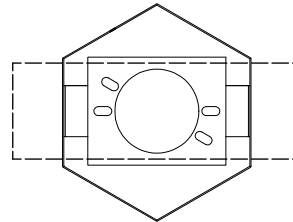
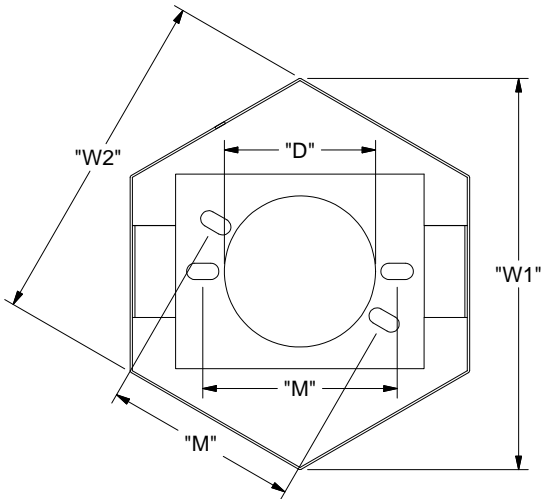
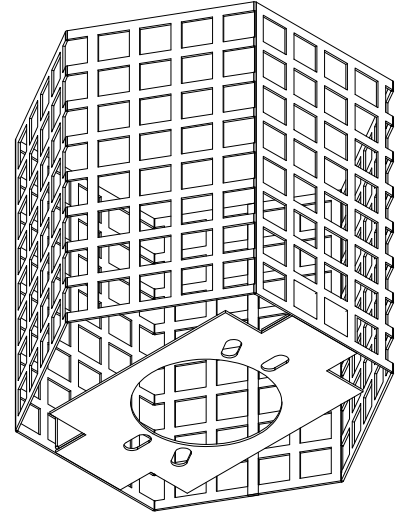
SPECIFICATIONS

- Lamp guards are available with a custom painted finish on special order.
- Lamp guards are manufactured from #11 ga. c.r.s. wire.
- Complies with National Electrical Code (NEC) Section #520.72, which states:
All incandescent lamps in dressing rooms, where less than 8 feet (2.5 m) from floor, shall be equipped with open-end guards riveted to the outlet box cover or otherwise sealed or locked in place.
- Luminaires will be prepunched for mounting screws when ordered with lamp guards.
- Field drilling may be required if luminaires are ordered separately.

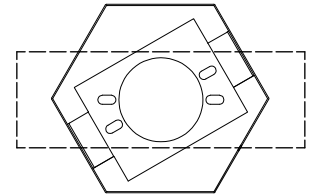
Type:



BACK TO
DECORATIVE
INCANDESCENT



Lamp guard may be mounted
point perpendicular to extrusion.



Lamp guard may also be mounted
point parallel to extrusion.

PART NO.	FINISH	DESCRIPTION	"W1"	"W2"	"L"	"D"	"M"
220031	Bright Nickel	Medium base up to A19 lamp	3 7/8"	3 3/8"	4 1/8"	1 3/4"	2 1/4"
220032	Bright Brass	Medium base up to A19 lamp	3 7/8"	3 3/8"	4 1/8"	1 3/4"	2 1/4"
220041	Bright Nickel	Medium base up to G25 lamp	4 1/2"	3 15/16"	4 1/8"	1 3/4"	2 1/4"
220042	Bright Brass	Medium base up to G25 lamp	4 1/2"	3 15/16"	4 1/8"	1 3/4"	2 1/4"

SPECIFICATIONS

- Lamp guards are available in bright nickel plating for satin aluminum and polish aluminum luminaires.
- For polished gold luminaires, lamp guards are available in bright brass plating.
- Lamp guards are available with a custom painted finish on special order.
- All lamp guards are manufactured from 3/8" square opening, 1/8" web, 22 ga. c.r.s.
- Complies with National Electrical Code (NEC) Section #520.72, which states:
All exposed incandescent lamps in dressing rooms, where less than 2.5 m (8 feet) from floor, shall be equipped with open-end guards riveted to the outlet box cover or otherwise sealed or locked in place.
- Luminaires will be prepunched for mounting screws when ordered with lamp guards.
- Field drilling may be required if luminaires are ordered separately.