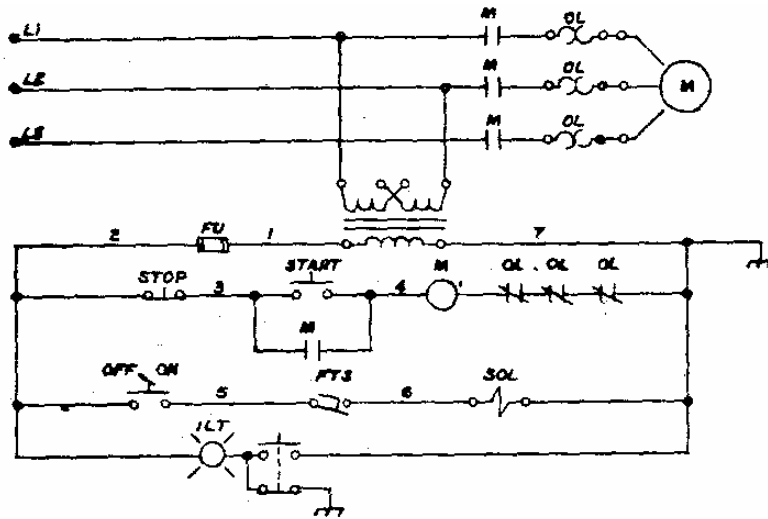
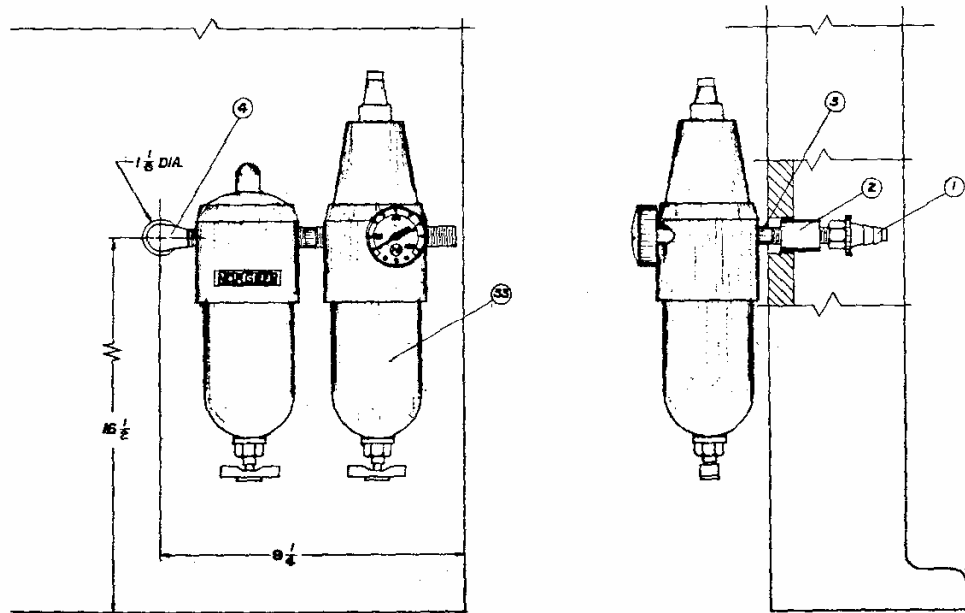


001-ELECTRO PNEUMATIC CLUTCH



CONTROL ELECTRO-PNEU SELECTOR SWITCH AND GROUND LIGHT



ITEM NO.	QTY	DESCRIPTION	PART NUMBER
1	2	Fitting, 3/8 Push Loc	3305-003
2	2	Coupling, 1/4	3831-002
3	2	Nipple, 3/4 x 2	3835-033
4	2	ELL, Street 1/4	3833-004
33	1	Fil. Reg. Lub Unit	3772-001

ITEM NO.	QTY	DESCRIPTION	PART NUMBER
5	1	Valve Sol. MAC #6818-1-2	3753-020
6	1	Nipple, 3/8 x 2	3835-049
7	1	Coupling, 3/8	3831-003
8	2	Brass Ells, 3/8 Pipe 3/8 Flair	3849-010
9	1	3/8 EM-3 Tiny Tim Muffler	3774-003
10	2	Brass ELLLS 1/ 4 Pipe 3/8 Flair	3849-009
11	2	Flow Control Valves 3/8	3759-002
12	CTL	3/8 Copper Tubing	3857-004
13	1	Cylinder Bracket	512-041
14	2	Waldes Ring #5100-50	3551-018
15	1	Engaging Plunger Pin	8GS-130
16	1	Clevis, Air Cylinder	S12S-090
17	1	Style B Oil Cover	3204-008
18	1	Air Cylinder, 2" Bore, 1" Stroke	3743-001
19	1	Pawl, Slide Pin	8FS-045
20	1	Parker "O" Ring #214	3255-104
21	1	Pawl Engaging Plunger	8GS-136
22	1	Non-Repeat Pawl	8FS-044
23	1	Waldes Ring #5100-62	3351-022
24	1	Clutch Bracket	S12-4
25	12	1/2-13x1 1/2 Hex Hd Cap Screw	3308-057
26	19	1/ 2 Medium Lock Washer	3327-009
27	1	Pawl Retaining Collar	8FS-46
28	7	1/2-13x2 Hex Hd Cap Screw	3308-059
29	1	3/8 x 1/ 4 Bushing	3827-008
30	1	Pawl Lifting Stud	8HS-41
31	1	Cover-Housing Indicator	6089-087
32	1	Cover Gear Case	6089-086
33	1	Fil. Reg. Lub Unit	3772-001
34	4	3/8-16 x 1" Hex Hd Cap Screw	3308-028
35	4	3/8 Medium Lock Washer	3327-007
36	1	Spacer	8GS-180
37	1	Guide, Pawl	8G-047