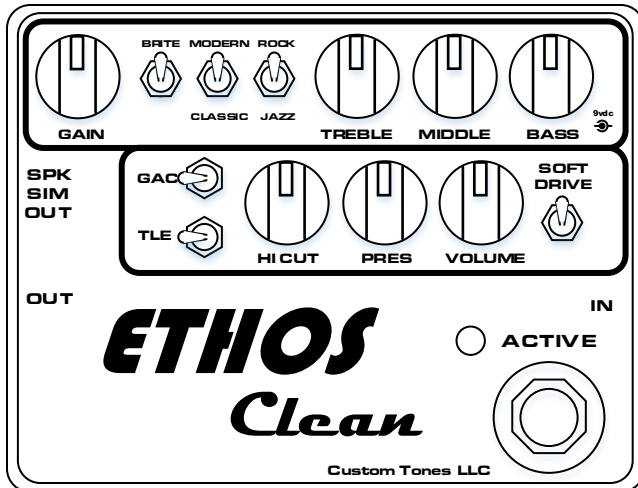


# ETHOS Clean

## Specification Sheet



Based on the Clean Channel of the Ethos Overdrive, the Ethos Clean offers Boutique Tone with a High Degree of Flexibility in a Single Compact Package.

### Key Features Include:

- Powerful Tone Stack Voicing
- Selectable Natural Soft Drive Limiting
- Speaker Simulation Output used for Direct Applications
  - PA
  - Recording Studio
  - Personal Computer / Pads
- Buffered Bypass Mode Mitigates Loading Effects
- Compact Size

### Specifications:

#### MECHANICAL

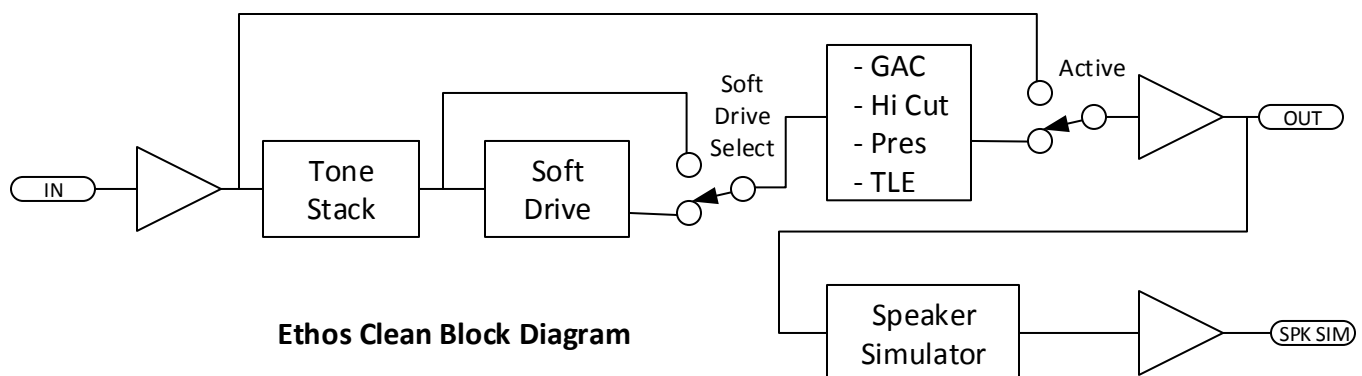
- Size: 3.75" x 4.75" x 1.25"
- Weight = 14 ounces
- Enclosure: Die Cast Aluminum

#### CONTROLS

- GAIN: Determines Gain Level of Preamp
- TONE STACK CONTROLS (Pre Soft Drive):
  - BRITE SWITCH: Activates HF Boost in Preamp
  - MODERN/CLASSIC SWITCH: Modern = 80/90's sky-liner voice, Classic = 70's voicing
  - JAZZ/ROCK SWITCH: JAZZ = Hi-Fi Voice, ROCK = Aggressive Mid-Range Voice
  - TREBLE / MIDDLE / BASS: Variable 3 band equalization
- HI-CUT: Variable (Post Soft Drive) Allows Hi-end adjustment for given applications
- PRESENCE: Variable (Post Soft Drive) Control Hi-frequency Boost (3KHz shelf)
- VOLUME: Controls Overall Loudness of Unit.
- GAC SWITCH: Activates Guitar Amp Compensation circuit, to be used when going into a Guitar Amp
- TLE SWITCH: Extends Low Frequency Response (Post Soft Drive)
- SOFT DRIVE SWITCH: When Active Provides a Natural Soft "On the Verge" Limiting Effect

#### INPUT / OUTPUTS

- IN: 1/4" 1 Megohm input impedance
- OUT: 1/4" 1 Kohm output impedance
- SPEAK SIMULATOR: 1/4" 1 Kohm output impedance
- POWER JACK: Center Pin = (-) polarity, 2.1mm x 5.5 mm, Voltage = 9VDC, Current Draw = 10mA  
(Also operates from internal 9VDC battery)



Ethos Clean Block Diagram

Note: Specifications are subject to change without notice