

Lutron Tensioned Shades

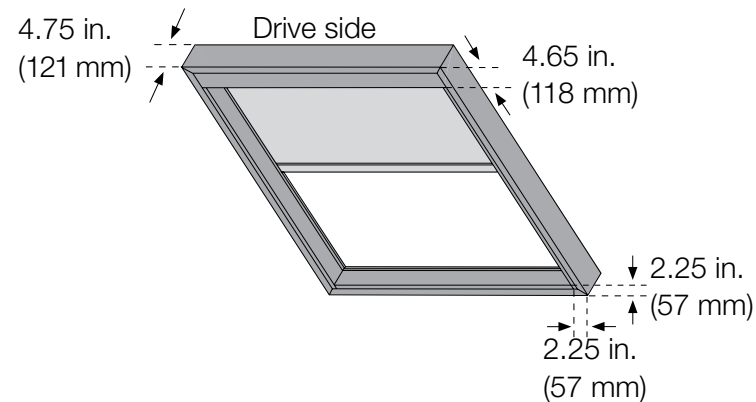
Lutron Tensioned Shades

Available For:
Sivoia® QS
Sivoia® QS Wireless

Frame specifications

System is concealed within its frame. Frame thickness and depth are standard regardless of system size. Pre-assembled shipping available*. Available in white and silver.

* Shade sizes up to 30 sq. ft. (2.8 sq. m)



Fabric options

We offer a wide variety of sheer, dim-out, and blackout fabrics to enhance the décor of commercial and residential spaces. The fabric offering meets the highest standards for enduring extreme temperatures while delivering performance and reliability.

The following Lutron fabric families are compatible with the tensioned shade system:

Category Fabric Family

Sheer	Basketweave 27
	Basketweave 90
	M Screen
	M Screen – THEIA™
Dim-out	SilverScreen (Basketweave Silver)
	Translucent P
Blackout	Premiere
	Standard

Please reference the Lutron Fabric app, Performance Shading Advisor, and/or Shade Configuration Tool (SCT) for up-to-date fabric specifications and availability



Tensioned shades from Lutron combine electronic drive technology with a unique tension system. Fabric is kept taut and parallel to skylights and angled windows regardless of slope to control daylight through skylight and angled window applications. Reduce glare and save energy by minimizing heat gain.

Aesthetics

- Product fascia eliminates gaps around fabric
- Concealed cable guides maximize view when open
- Wide variety of high-performance fabrics

Design

- Unique tension-absorbing frame eliminates stress on the surrounding structure
- Reliable performance under extreme temperatures

Control

- Smooth, quiet, precise movement of shades for skylight and angled windows
- One-touch control through keypad, IR, or RF remote
- Seamless integration with other Lutron products and lighting controls

Installation

- Inside, recessed, and surface mounting options
- Pre-assembled shipping available for shade sizes up to 30 sq. ft. (2.8 sq. m)

www.lutron.com/shadingsolutions



Lutron Electronics Co., Inc.
7200 Suter Road
Coopersburg, PA 18036-1299

World Headquarters 1.610.282.3800
Technical Support 1.800.523.9466 (Available 24/7)
Customer Service/Quotes 1.800.446.1503



© 05/2016 Lutron Electronics Co., Inc. | P/N 367-1530 REV I



save energy with Lutron™ 



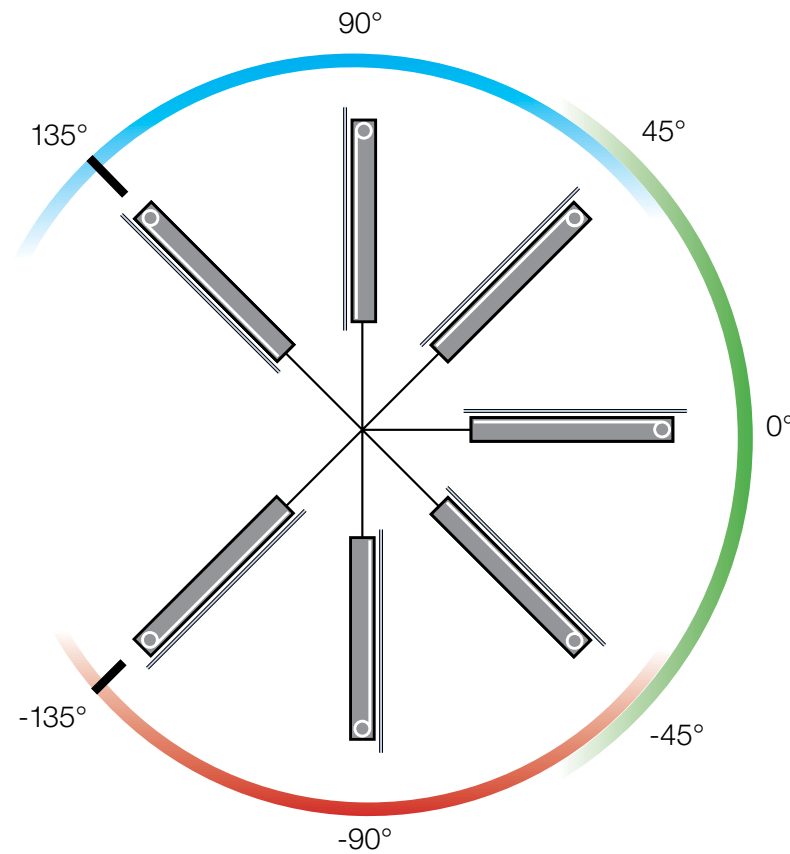
save energy with Lutron™ 

Lutron Tensioned Shades

Installation angles

Lutron tensioned shades allow for flexible installation at any angle between -135° and 135° with consistent aesthetic results. Shade can close from top to bottom, or from the bottom up, with fabric unrolling closest to the window.

- Angled shades
- Skylight shades
- Bottom-up shades

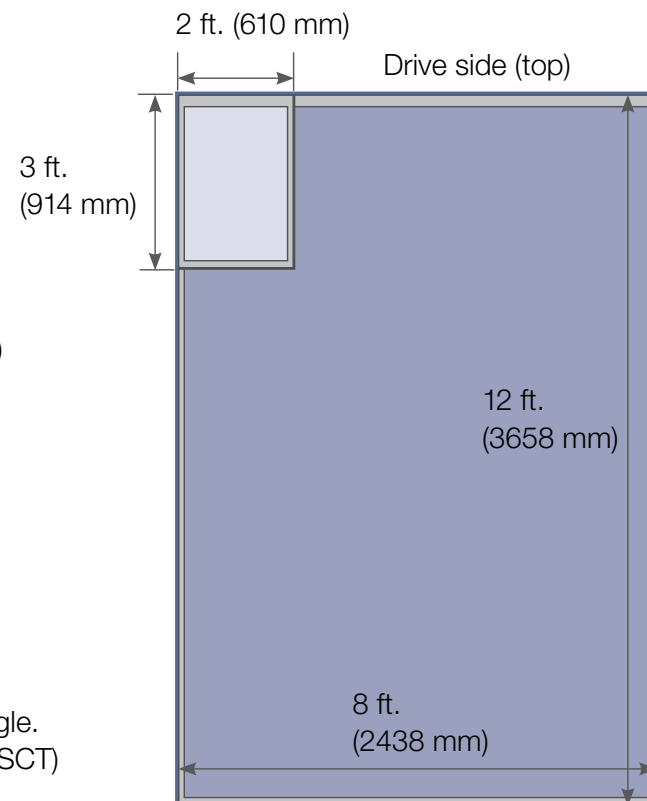


System parameters*

This chart illustrates dimensions of the tensioned shade system. The system contains the frame and shade.

- Minimum system size:
2 ft. wide x 3 ft. long (610 mm x 914 mm)
- Maximum system size:
8 ft. wide x 12 ft. long (2438 mm x 3658 mm)
- Note: Meet-in-the-middle shades have a maximum length of 24 ft. (7315 mm)
- Frame thickness:
Drive side: 4.65 in. (118 mm)
Non-drive sides: 2.25 in. (57 mm)

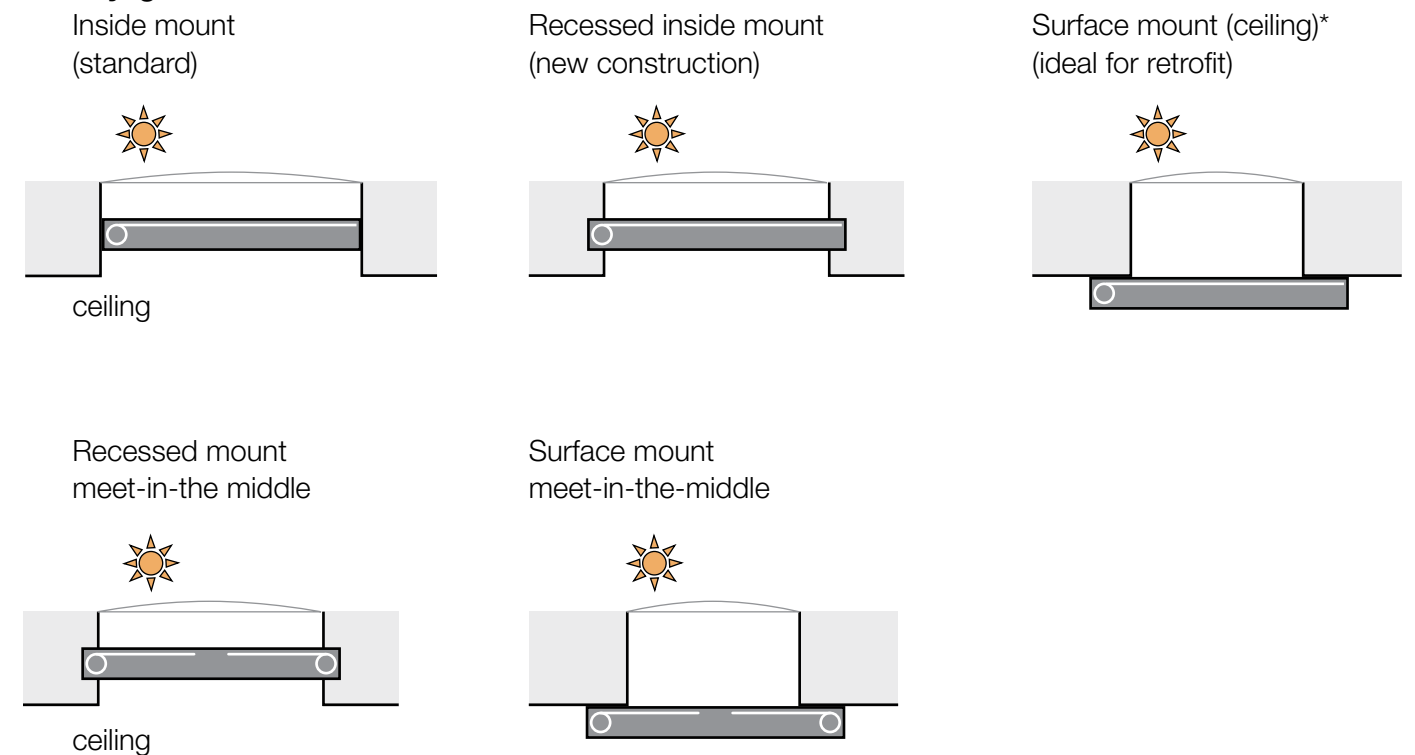
* Tensioned shade dimension limitations are a function of fabric selection and application angle. Please consult the Shade Configuration Tool (SCT) or Customer Service for details.



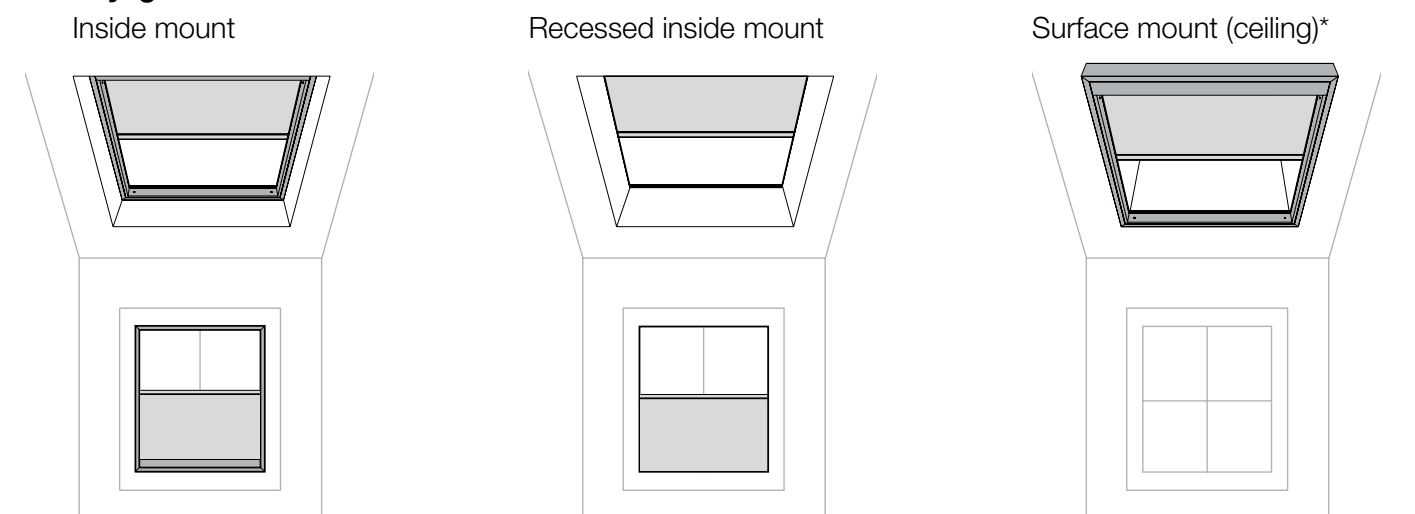
Mounting options

Lutron tensioned shades can be installed inside of, recessed into, or on the surface* of the skylight or window opening.

Skylight cross-section



Skylight and window room view



* Surface mount recommended for skylight applications only