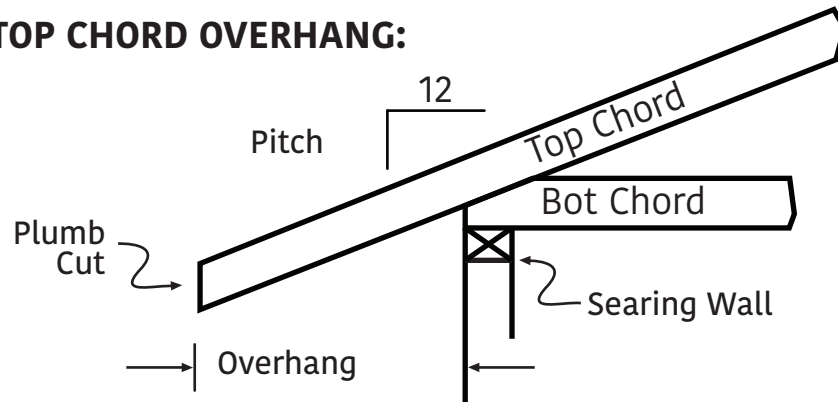
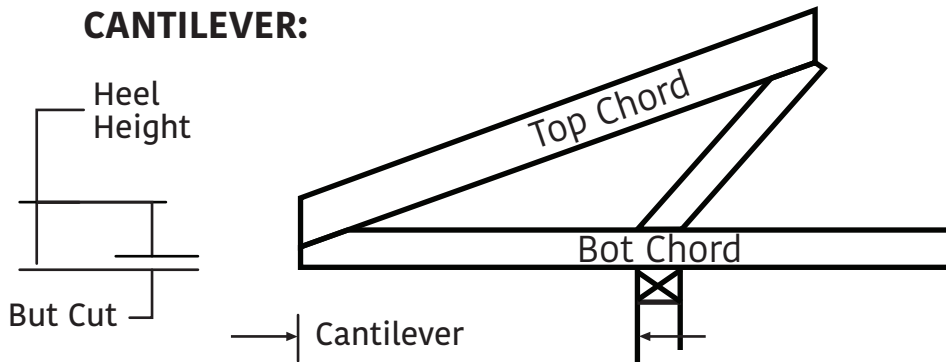


TRUSS - TERMINOLOGY

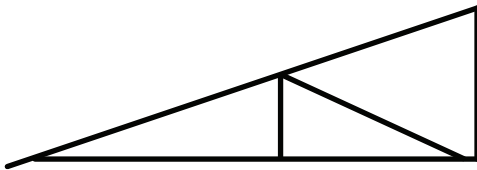
TOP CHORD OVERHANG:



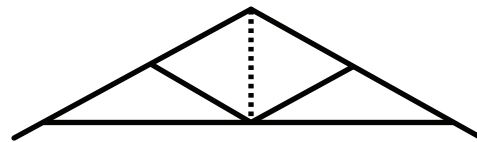
CANTILEVER:



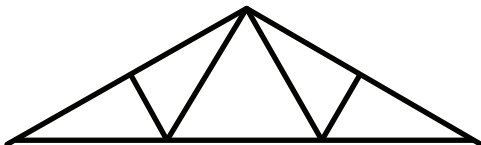
MONO TRUSS



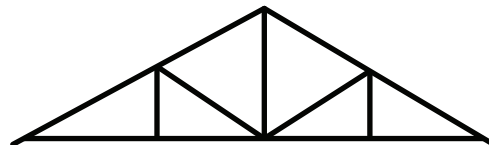
KING POST TRUSS



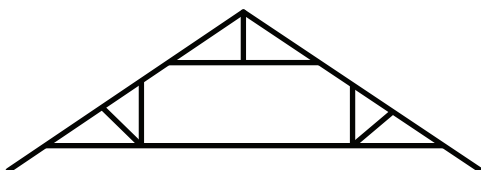
FINK TRUSS



HOWE TRUSS



ATTIC TRUSS



SCISSORS TRUSS

