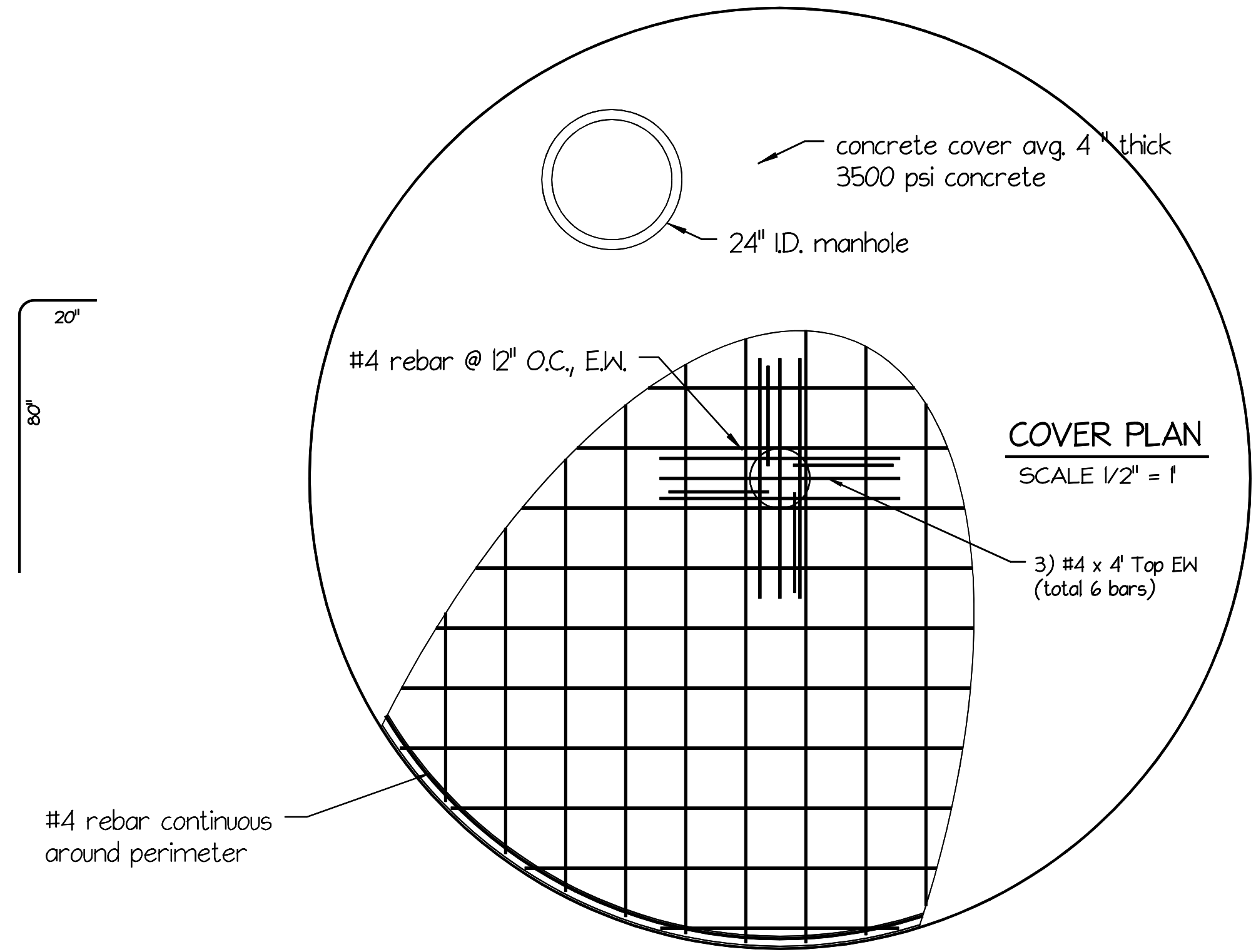


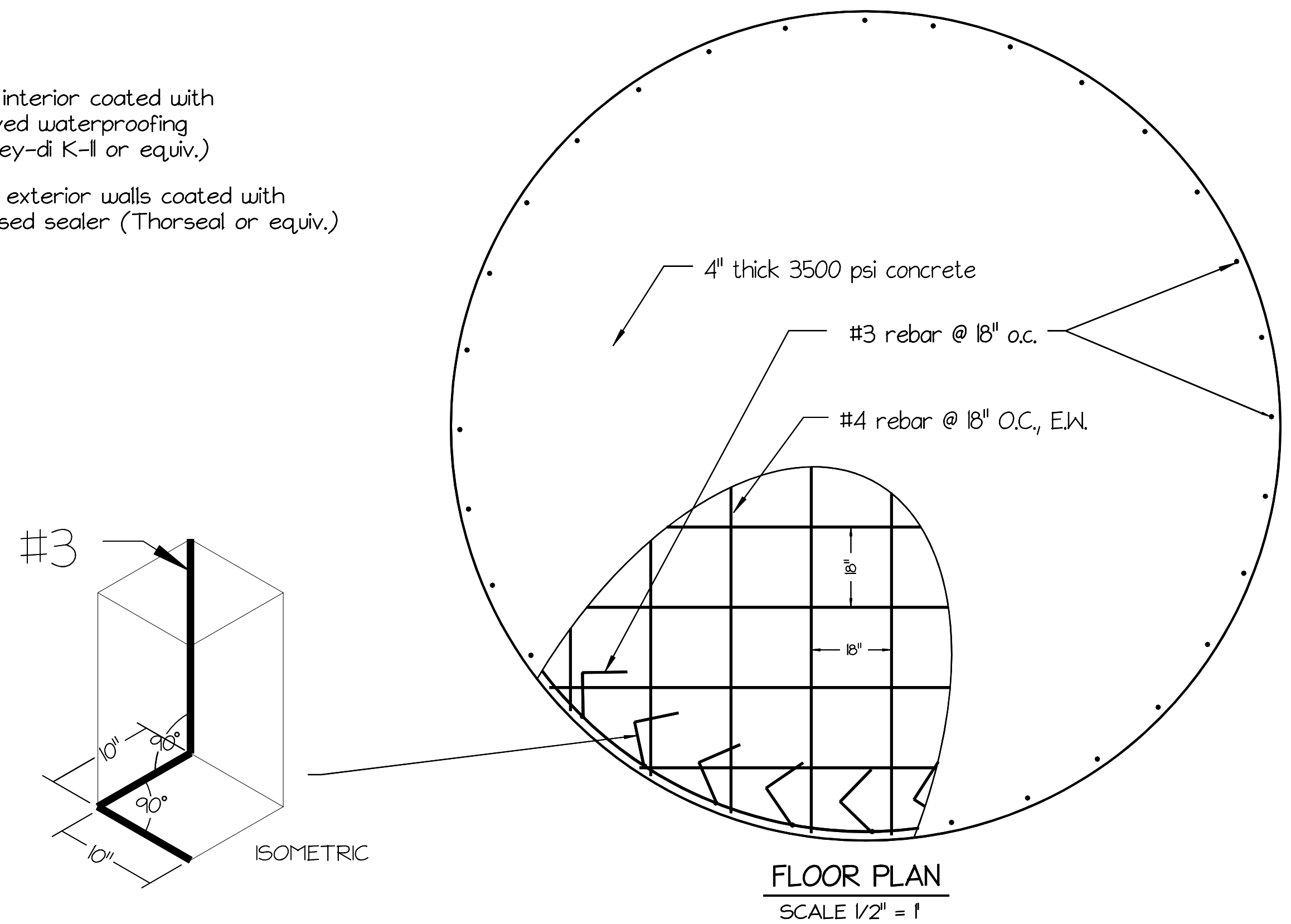
SECTION
not to scale



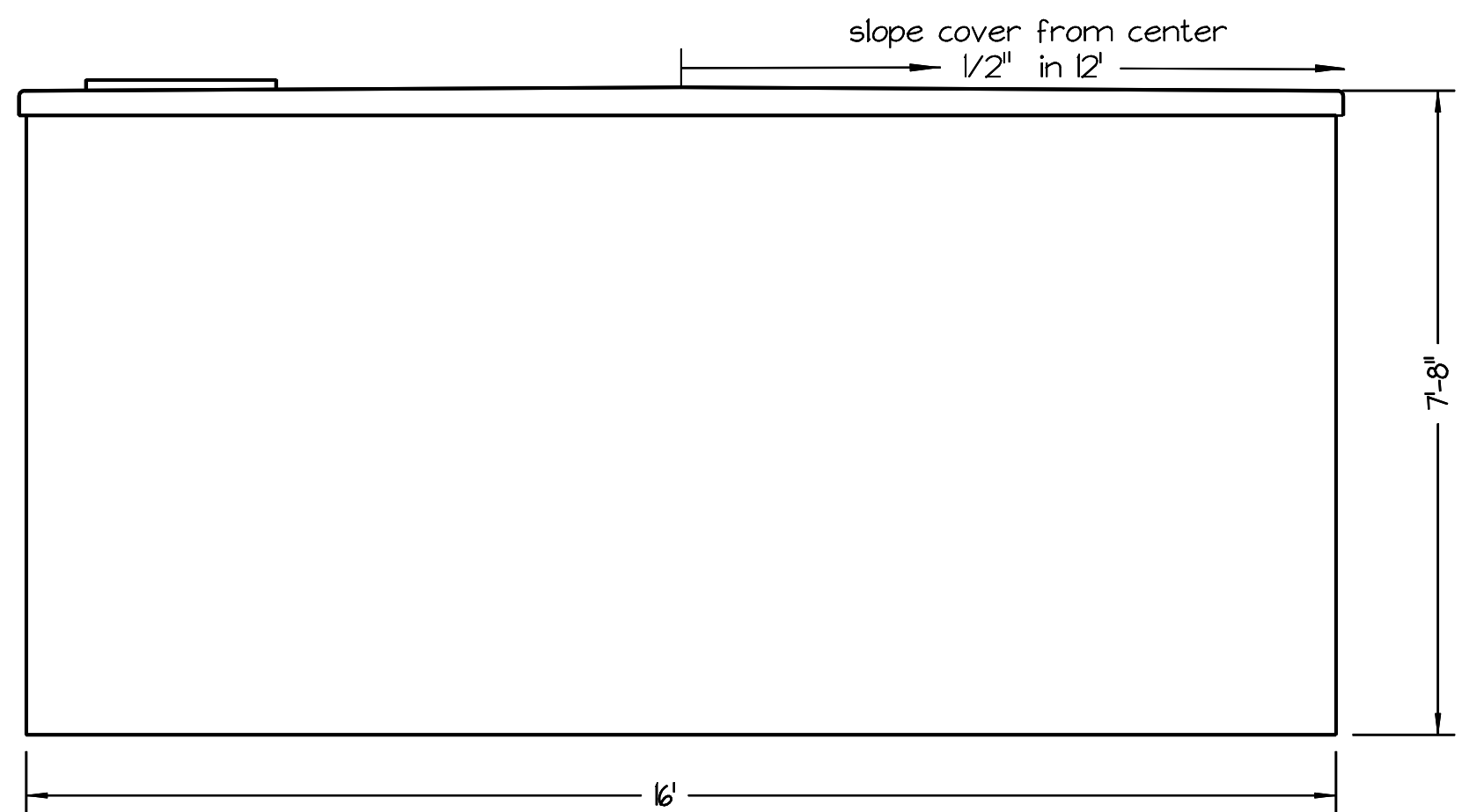
COVER PLAN
SCALE 1/2" = 1'

NOTES :

- *Tank interior coated with NSF approved waterproofing (Tamm's Hey-di K-II or equiv.)
- *Tank exterior walls coated with cement based sealer (Thorseal or equiv.)



FLOOR PLAN
SCALE 1/2" = 1'



ELEVATION
SCALE 1/2" = 1'

10,000 GALLON
FERROCEMENT WATERTANK