

Gravity Conveyor Rollers Series 300



Roller Configuration							
Tube Ø (in mm)	Tube Material	Shaft Ø (in mm)	Shaft Installation Type				
			SR	PE	CD	FT	FTFM
38.1 x 1.6	Mild Steel Stainless Steel	8 Hex	✓	✓			
		8	✓	✓	✓		
		10	✓	✓	✓		
50.8 x 1.6 50.8 x 2.0	Mild Steel Stainless Steel	12 Hex	✓	✓			
		10	✓	✓	✓		
		12	✓	✓	✓	✓	✓
		15		✓		✓	✓
60.3 x 1.6 60.3 x 2.0	Mild Steel Stainless Steel	12 Hex	✓	✓			
		12	✓	✓	✓	✓	✓
		15		✓	✓	✓	✓
76.2 x 2.0 76.2 x 4.0	Mild Steel Stainless Steel	17				✓	✓
		20		✓		✓	✓

Note : SR : Spring Return | PE : Plain Extended | CD : Cross Drilled | FT : Female Thread |
FTFM : Female Thread with Flat Milled

Product Description

Application	Intra Logistics, Light Weight Products, Package Goods, Warehousing, Cartons
Features	Bears medium and heavy loads
Tube Coating	Zinc Plating Chrome Plating PU Coating
Shaft Material	Mild Steel Stainless Steel
Bearing Type	Deep Groove Ball Bearing permanently sealed in pressed Metal Cap Bearing Housing
Max. Load Bearing	65 to 150kg
Max. Conveyor Speed	2 m/s
Temperature Range	-20° to 150° C

Airoll

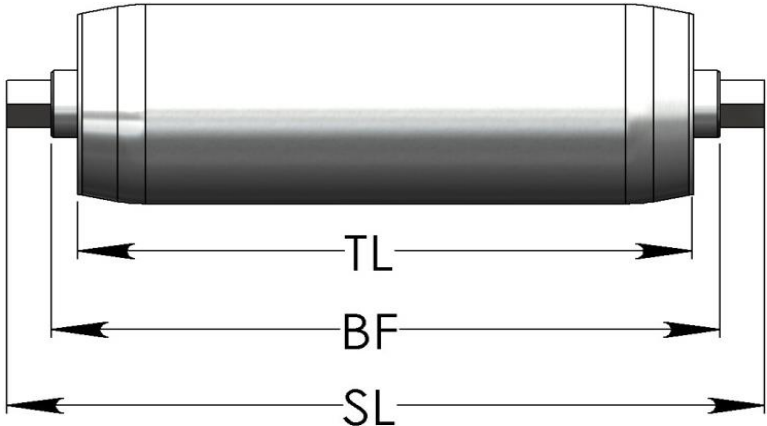
Accrue Conveyor Products Pvt Ltd - Gat No-1297, More Vasti, Near Sane Chowk, Chikhali, Pune – 411062 | INDIA

Phone - 020 - 65304035 | + 91 88888 00308 | sales@accrue.in | www.airoll.in

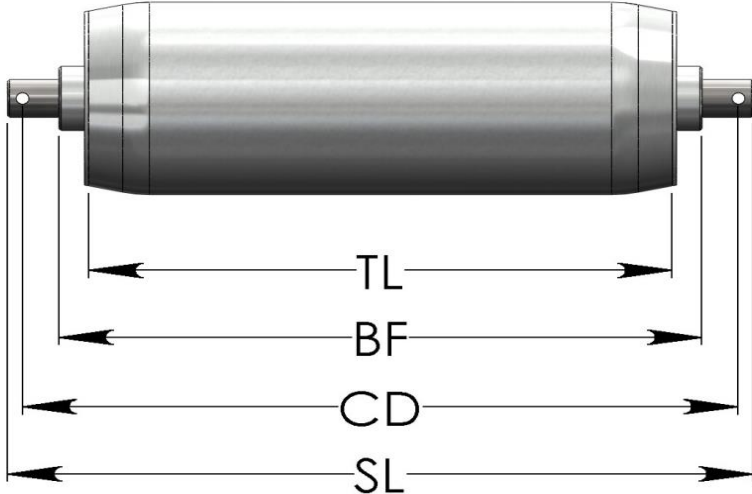
Gravity Conveyor Rollers Series 300



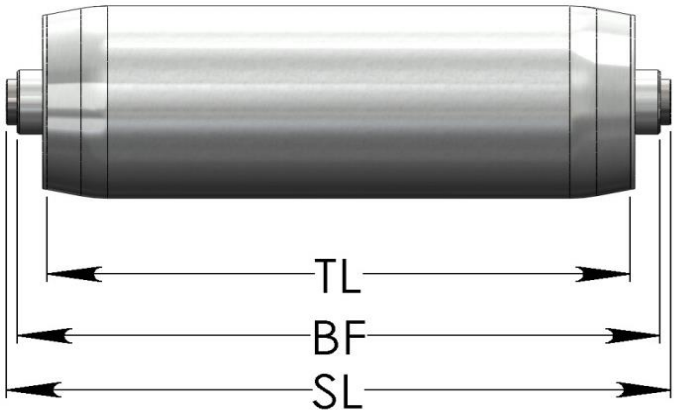
Hexagon – Spring Return Shaft



Cross Drilled Shaft



Female Thread Shaft



Female Thread with Flat Milled Shaft

