



## GO PLAY :) SYSTEM 1 - CARNIVAL

ROOFLESS

PROJECT GP 1



## GO PLAY :) SYSTEM 1 - CARNIVAL

ROOFLESS

PROJECT GP 1



## GO PLAY :) SYSTEM 1 - EARTHTONE

ROOFLESS

PROJECT GP 1



# GO PLAY :) SYSTEM 1 - EARTHSTONE

ROOFLESS

PROJECT GP 1



# GO PLAY :) SYSTEM 1 - MARINA

ROOFLESS

PROJECT GP 1





**GO PLAY :) SYSTEM 1 - MARINA**  
**ROOFLESS**

PROJECT GP 1



# GO PLAY :) SYSTEM 1 - SIENNA

ROOFLESS

PROJECT GP 1

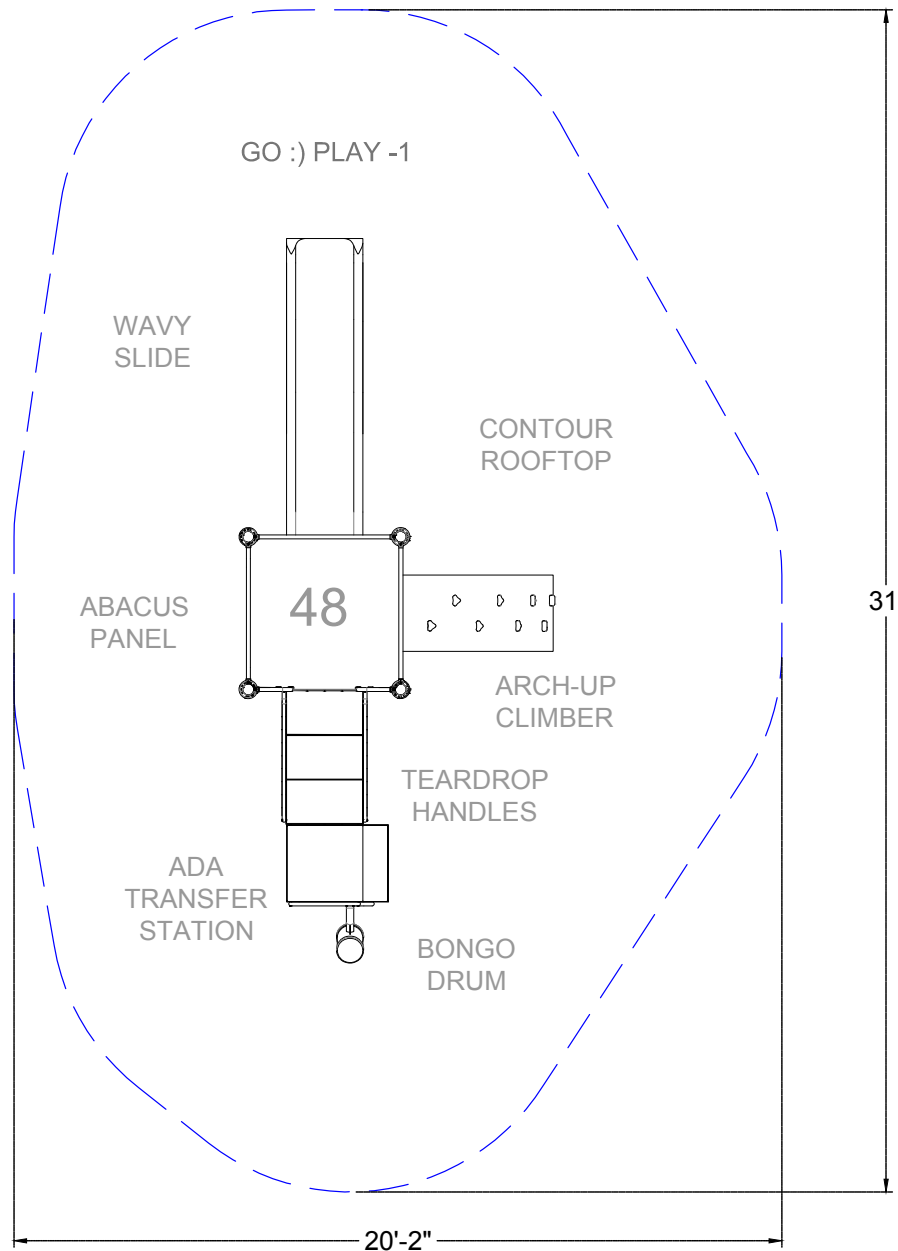


## GO PLAY :) SYSTEM 1 - SIENNA

ROOFLESS

PROJECT GP 1





# GO PLAY :) SYSTEM 1 ROOFLESS



XCCENTPLAY.COM

DATE 03/20/2015  
PROJECT GP 1  
REVISION -  
DESIGNER Xccent



MIN. "FALL ZONE"  
20'-2" x 31'

MAX. FALL HEIGHT  
48"

AGES 2-12

	total	req'd
ELEVATED COMPONENTS	3	-
ACCESSIBLE ELEVATED COMPONENTS	3	2
GROUND LEVEL EVENTS	2	1
DIFFERENT TYPES of GROUND EVENTS	2	1
APPROX. SQ FT	N/A	APPROX. PERIM
		N/A