

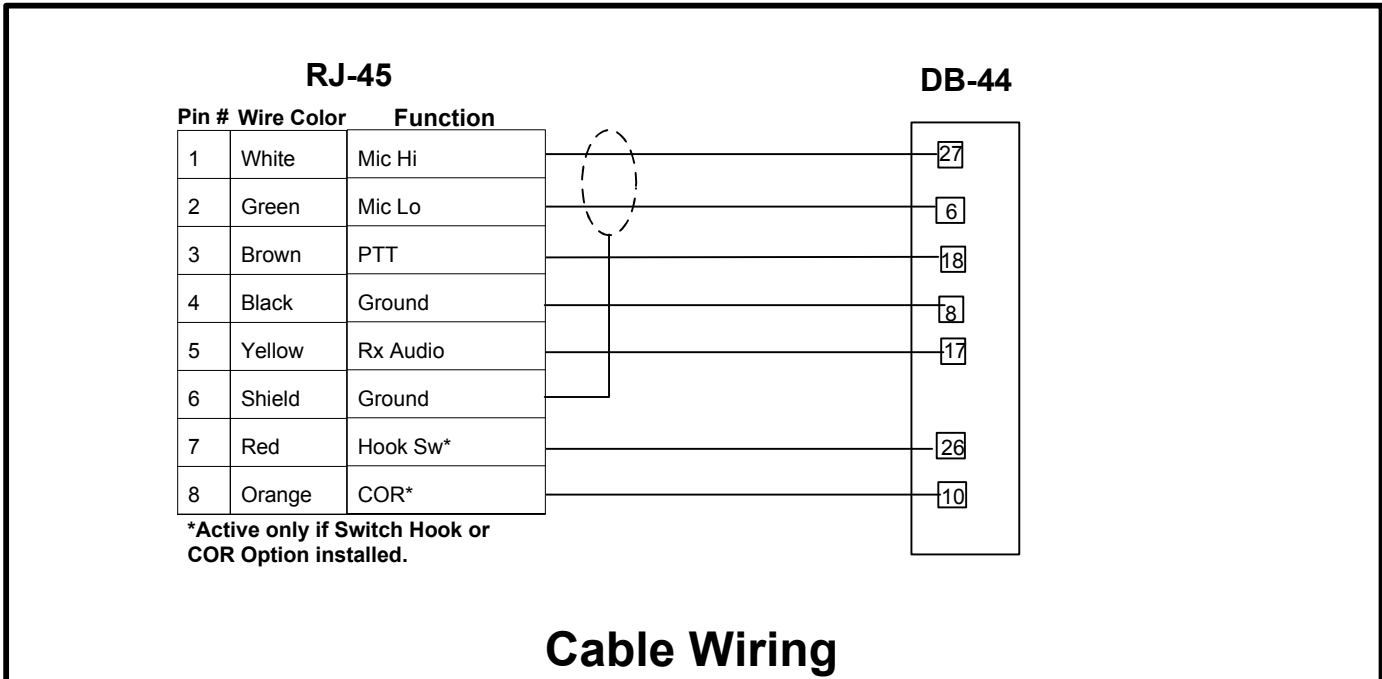
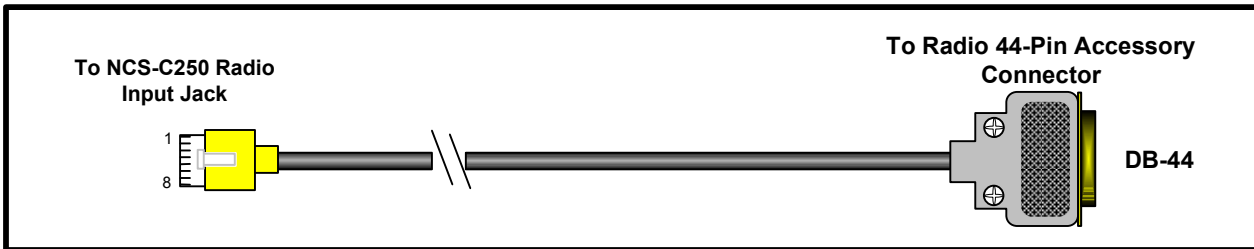
Radio Interface Cable

For NCS-C250 Mobile Multi-Switcher

NCS Model Number
NCS-250-ALA-XX

Compatible Radios:

Harris M5300
Harris M7300
Harris XG-100M
Harris XG-25M



Note:

1. Program PTT on pin 18 (**INP1**) of the DB-44 Accessory Connector. Configure via the "Auxiliary Input 1" in the Radio Personality Manager's (RPM's) External I/O dialog Box.
2. Program COR/TOR on pin 10 (**OUT2**) of the DB-44 Accessory Connector. Configure via the "External Output Control Line 2" in Radio Personality Manager's (RPM's) External I/O dialog Box.