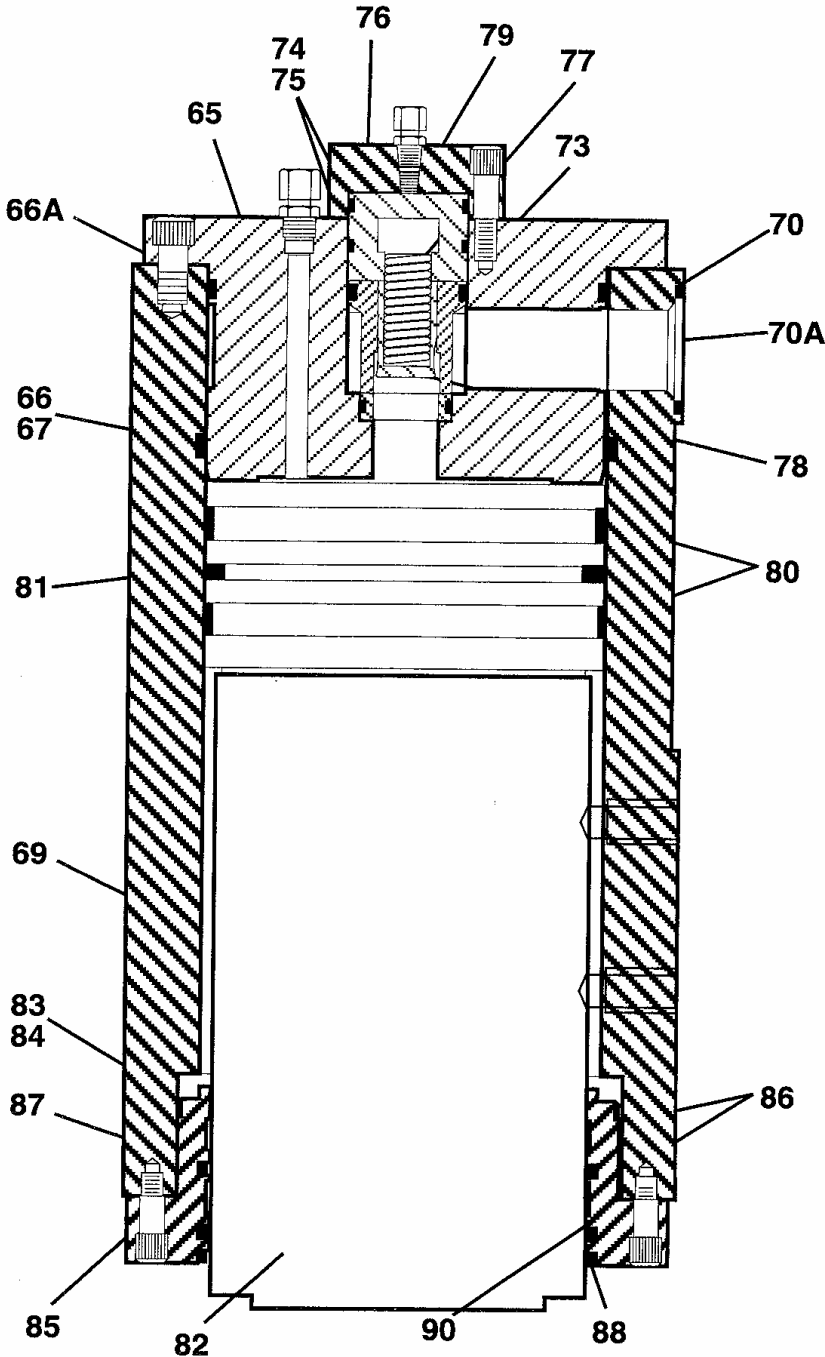


FAB SERIES PRESS BRAKES

CYLINDER ASSEMBLY



CYLINDER ASSEMBLY

ITEM NO.	DESCRIPTION	FAB 60-72	FAB 60-96	FAB 100-120	FAB 100-144	FAB 100-168	FAB 140-120	FAB 140-144	FAB 140-168
65	Cap, Cylinder Top	7437-422	7437-422	7437-666	7437-666	7437-666	7437-666	7437-666	7437-666
66A	O-Ring	3255-201	3255-201	3255-246	3255-246	3255-246	3255-246	3255-246	3255-246
66	O-Ring, Backup	3255-418	3255-418	3255-442	3255-442	3255-442	3255-442	3255-442	3255-442
67	O-Ring	3255-199	3255-199	3255-248	3255-248	3255-248	3255-248	3255-248	3255-248
68	Cover, R.H. Cylinder	7437-472	7437-472	7437-454	7437-454	7437-454	7437-454	7437-454	7437-454
69	Housing, Cylinder	7437-421	7437-421	7437-665	7437-665	7437-665	7437-665	7437-665	7437-665
70	O-Ring	3255-177	3255-177	3255-182	3255-182	3255-182	3255-182	3255-182	3255-182
70A	O-Ring, Bolt			3255-104	3255-104	3255-104	3255-104	3255-104	3255-104
73	Valve, Cart.	3760-040	3760-040	3760-017	3760-017	3760-017	3760-017	3760-017	3760-017
74	O-Ring	3255-112	3255-112	3255-121	3255-121	3255-121	3255-121	3255-121	3255-121
75	Back-Up, O-Ring	3255-420	3255-420	3255-322	3255-322	3255-322	3255-322	3255-322	3255-322
76	Retainer, Fill Valve Spring	7437-433	7437-433	7437-437	7437-437	7437-437	7437-437	7437-437	7437-437
77	Spring, Valve	3510-500	3510-500	3510-510	3510-510	3510-510	3510-510	3510-510	3510-510
78	Screw	3303-630	3303-630	3303-633	3303-633	3303-633	3303-633	3303-633	3303-633
79	Cap, Fill Valve	7437-427	7437-427	7437-432	7437-432	7437-432	7437-432	7437-432	7437-432
80	Bearing, Piston	3188-006	3188-006	3188-017	3188-017	3188-017	3188-017	3188-017	3188-017
81	Seal, Glyd. Ring Piston	3211-821	3211-821	3211-832	3211-832	3211-832	3211-832	3211-832	3211-832
82	Rod, Cylinder Piston	7437-385	7437-385	7437-436	7437-436	7437-436	7437-436	7437-536	7437-436
83	O-Ring	3255-210	3255-210	3255-235	3255-235	3255-235	3255-235	3255-235	3255-235
84	Back-Up, O-Ring	3255-429	3255-429	3255-435	3255-435	3255-435	3255-435	3255-435	3255-435
85	Cap, Cylinder Rod	7437-275	7437-275	7437-667	7437-667	7437-667	7437-667	7437-667	7437-667
86	Bearing, Rod	3188-006	3188-006	3188-009	3188-009	3188-009	3188-009	3188-009	3188-009
87	Stepseal, Cylinder Rod	3211-818	3211-818	3211-819	3211-819	3211-819	3211-819	3211-819	3211-819
88	Wiper, Cylinder Rod	3211-692	3211-692	3211-803	3211-803	3211-803	3211-803	3211-803	3211-803
89	Stud, Cylinder To Ram	7437-013	7437-013	7437-154	7437-154	7437-154	7437-154	7437-154	7437-154
90	Poly Pack, Rod Seal	3211-802	3211-802	3211-803	3211-803	3211-803	3211-803	3211-803	3211-803

ITEM NO.	DESCRIPTION	FAB 180-120	FAB 180-144	FAB 180-168	FAB 250-144	FAB 250-168	FAB 400 Series
65	Cap, Cylinder Top	7442-014	7442-014	7442-014	7437-687	7437-687	
66A	O-Ring	3255-250	3255-250	3255-250	3255-252	3255-252	
66	O-Ring, Backup	3255-445	3255-445	3255-445	3255-447	3255-447	
67	O-Ring	3255-251	3255-251	3255-251	3255-254	3255-254	
68	Cover, R.H. Cylinder	7437-659	7437-659	7437-659	7437-526	7437-526	
69	Housing, Cylinder	7442-015	7442-015	7442-015	7437-689	7437-689	7489-084
70	O-Ring	3255-117	3255-117	3255-117	3255-182	3255-182	3255-184
70A	O-Ring, Bolt	3255-104	3255-104	3255-104	3255-110	3255-110	
73	Valve, Cart.	3760-017	3760-017	3760-017	3760-017	3760-017	3760-045
74	O-Ring	3255-121	3255-121	3255-121	3255-121	3255-121	3255-184
75	Back-Up, O-Ring	3255-322	3255-322	3255-322	3255-322	3255-322	3255-421
76	Retainer, Fill Valve Spring	7437-468	7437-468	7437-468	7437-468	7437-468	7489-029
77	Spring, Valve	3510-510	3510-510	3510-510	3510-510	3510-510	3510-520
78	Screw	3303-633	3303-633	3303-633	3303-633	3303-633	3306-690
79	Cap, Fill Valve	7437-432	7437-432	7437-432	7437-432	7437-432	7489-028
80	Bearing, Piston	3188-025	3188-025	3188-025	3188-032	3188-032	3188-033
81	Seal, Glyd. Ring Piston	3211-840	3211-840	3211-840	3211-844	3211-844	3211-845
82	Rod, Cylinder Piston	7437-384	7437-384	7437-384	7437-479	7437-479	7489-020
83	O-Ring	3255-252	3255-252	3255-252	3255-255	3255-255	3255-229
84	Back-Up, O-Ring	3255-446	3255-446	3255-446	3255-448	3255-448	3255-437
85	Cap, Cylinder Rod	7437-782	7437-782	7437-782	7437-688	7437-688	7489-021
86	Bearing, Rod	3188-027	3188-027	3188-027	3188-028	3188-028	3188-031
87	Stepseal, Cylinder Rod	3211-829	3211-829	3211-829	3211-841	3211-841	3211-843
88	Wiper, Cylinder Rod	3211-830	3211-830	3211-830	3211-721	3211-721	3211-723
89	Stud, Cylinder To Ram	7437-201	7437-201	7437-201	7437-201	7437-201	
90	Poly Pack, Rod Seal	3211-829	3211-829	3211-829	3211-837	3211-837	3211-842

FAB SERIES PRESS BRAKES

LINEAR ENCODER

