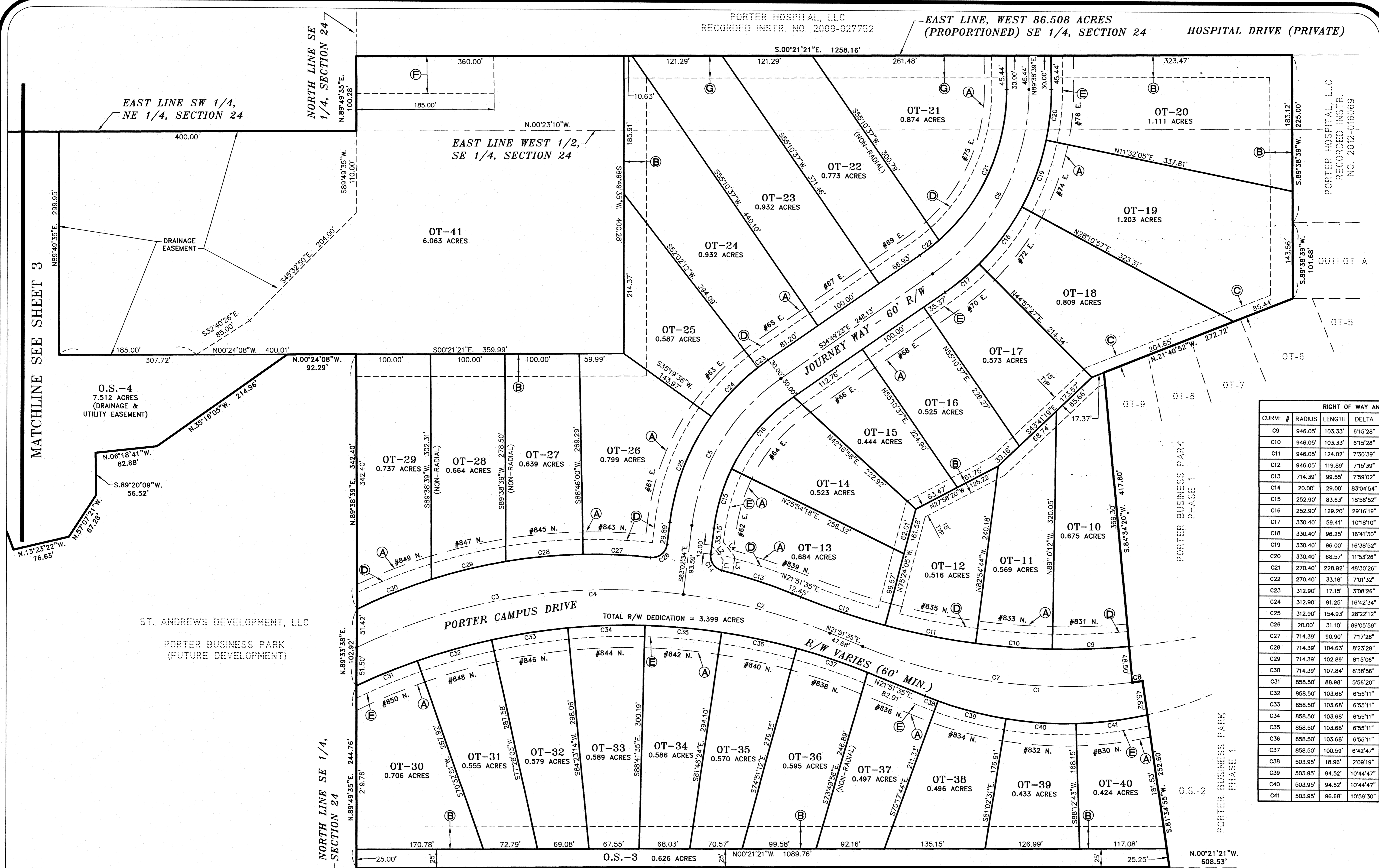


2017-002862

FILED FOR RECORD

JAN 3 0 2017
2:16 P.M.
PORTER COUNTY RECORDER
JON C. MILLER

55-A-3A



RIGHT OF WAY AND LOT LINE CURVE DATA						
CURVE #	RADIUS	LENGTH	DELTA	TANGENT	CHORD LENGTH	CHORD BEARING
C9	946.05'	103.33'	61°5'28"	51.71'	103.27'	S02°17'56"E
C10	946.05'	103.33'	61°5'28"	51.71'	103.27'	S03°57'32"W
C11	946.05'	124.02'	7°30'39"	62.10'	123.93'	S10°50'36"W
C12	946.05'	119.89'	71°5'39"	60.02'	119.81'	S18°13'45"W
C13	714.39'	99.55'	7°59'02"	49.85'	99.47'	N17°52'04"E
C14	20.00'	29.00'	83°04'54"	17.72'	26.53'	S55°24'59"W
C15	252.90'	83.63'	18°56'52"	42.20'	83.25'	N73°34'08"W
C16	252.90'	129.20'	29°16'19"	66.05'	127.80'	N49°27'32"E
C17	330.40'	68.57'	11°53'28"	34.41'	68.44'	S39°58'28"E
C18	330.40'	96.25'	16°41'30"	48.47'	95.91'	S53°28'18"E
C19	330.40'	96.00'	16°38'52"	48.34'	95.66'	S70°08'29"E
C20	330.40'	68.57'	11°53'28"	34.41'	68.44'	S84°24'38"E
C21	270.40'	228.92'	48°30'26"	121.83'	222.15'	S66°08'08"E
C22	270.40'	33.16'	7°01'32"	16.60'	33.14'	S38°20'09"E
C23	312.90'	17.15'	3°08'26"	8.58'	17.15'	N36°23'35"W
C24	312.90'	91.25'	16°42'34"	45.95'	90.93'	N46°19'05"W
C25	312.90'	154.93'	28°22'12"	79.09'	153.35'	N68°51'28"W
C26	20.00'	31.10'	89°05'59"	19.69'	28.06'	S38°29'34"E
C27	714.39'	90.90'	7°17'26"	45.51'	90.84'	N02°24'42"E
C28	714.39'	104.63'	8°23'29"	52.41'	104.53'	N05°25'45"W
C29	714.39'	102.89'	8°15'06"	51.53'	102.80'	N13°45'03"W
C30	714.39'	107.84'	8°38'56"	54.02'	107.74'	N22°12'04"W
C31	858.50'	88.98'	5°56'20"	44.53'	88.94'	N22°25'19"W
C32	858.50'	103.68'	6°55'11"	51.91'	103.62'	N15°59'33"W
C33	858.50'	103.68'	6°55'11"	51.91'	103.62'	N09°04'22"W
C34	858.50'	103.68'	6°55'11"	51.91'	103.62'	N02°09'11"W
C35	858.50'	103.68'	6°55'11"	51.91'	103.62'	N04°46'01"E
C36	858.50'	103.68'	6°55'11"	51.91'	103.62'	N11°41'12"E
C37	858.50'	100.59'	6°42'47"	50.35'	100.53'	N18°30'11"E
C38	503.95'	18.96'	2°09'19"	9.48'	18.96'	S20°46'55"W
C39	503.95'	94.52'	10°44'47"	47.40'	94.38'	S14°19'53"W
C40	503.95'	94.52'	10°44'47"	47.40'	94.38'	S03°35'06"W
C41	503.95'	96.68'	10°59'30"	48.49'	96.53'	S07°17'03"E

ST. ANDREWS DEVELOPMENT, LLC
PORTER BUSINESS PARK
(FUTURE DEVELOPMENT)

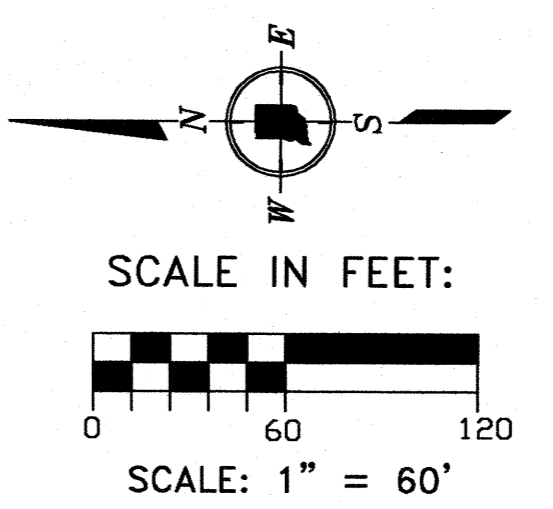
MATCHLINE SEE SHEET 3

ALL ENGINEERING AND SURVEYING DRAWINGS ARE IN CONFORMANCE WITH THE PROFESSIONAL ENGINEERING AND SURVEYING ACT AND THE REGULATIONS THEREUNDER. NO PART OF THIS DRAWING IS TO BE REPRODUCED OR TRANSMITTED IN ANY FORM OR BY ANY MEANS, ELECTRONIC OR MECHANICAL, INCLUDING PHOTOCOPYING, RECORDING, OR BY ANY INFORMATION STORAGE AND RETRIEVAL SYSTEM, WITHOUT THE WRITTEN PERMISSION OF MARBACH-PALM, INC. ALL COMMON LAW RIGHTS OF COPYRIGHT AND OTHERWISE ARE HEREBY SPECIFICALLY RESERVED.

CENTERLINE AND PROPERTY LINE CURVE TABLE						
CURVE #	RADIUS	LENGTH	DELTA ANGLE	TANGENT	CHORD DIRECTION	CHORD LENGTH
C1	725.00'	383.12'	30°16'40"	196.15'	N06°43'15"E	378.68'
C2	786.44'	204.55'	14°54'08"	102.85'	N14°24'31"E	203.97'
C3	786.44'	451.07'	32°51'45"	231.93'	N09°28'26"W	444.91'
C4	786.44'	655.62'	47°45'53"	348.21'	N02°01'22"W	636.80'
C5	282.90'	238.09'	48°13'11"	126.61'	S58°55'58"E	231.12'
C6	300.40'	291.16'	55°31'58"	158.16'	S62°35'22"E	279.89'
C7	725.00'	369.57'	29°12'23"	188.89'	N07°15'23"E	365.58'
C8	725.00'	13.56'	1°04'17"	6.78'	S07°52'57"E	13.56'

EASEMENT LINE TABLE		
LINE #	BEARING	LENGTH
L1	S83°02'34"E	14.26'
L2	N51°57'26"E	24.88'
L3	S83°02'34"E	22.46'
L4	N51°57'26"E	24.88'

- LEGEND**
- (A) = 30' BUILDING SETBACK
 - (B) = 30' DRAINAGE & UTILITY EASEMENT
 - (C) = 15' DRAINAGE & UTILITY EASEMENT
 - (D) = 20' DRAINAGE & UTILITY EASEMENT
 - (E) = 15' INDIANA AMERICAN WATER EASEMENT
 - (F) = 50' DRAINAGE & UTILITY EASEMENT
 - (G) = 30' ACCESS, DRAINAGE & UTILITY EASEMENT
 - #000 = INDICATES STREET ADDRESS
 - R/W = RIGHT OF WAY



PORTER BUSINESS PARK
PHASE 2
RECEIVED
DEC 14 2016
SECONDARY PLAT
DECEMBER 19, 2016
SHEET 2 OF 3

MARBACH-PALM, INC.
Consulting Engineers & Land Surveyors
8888 U.S. Highway 20, P.O. Box 960
New Carlisle, Indiana 46552 (574) 654-3450
Web: palmassociatesinc.com