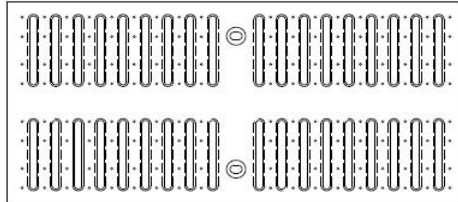
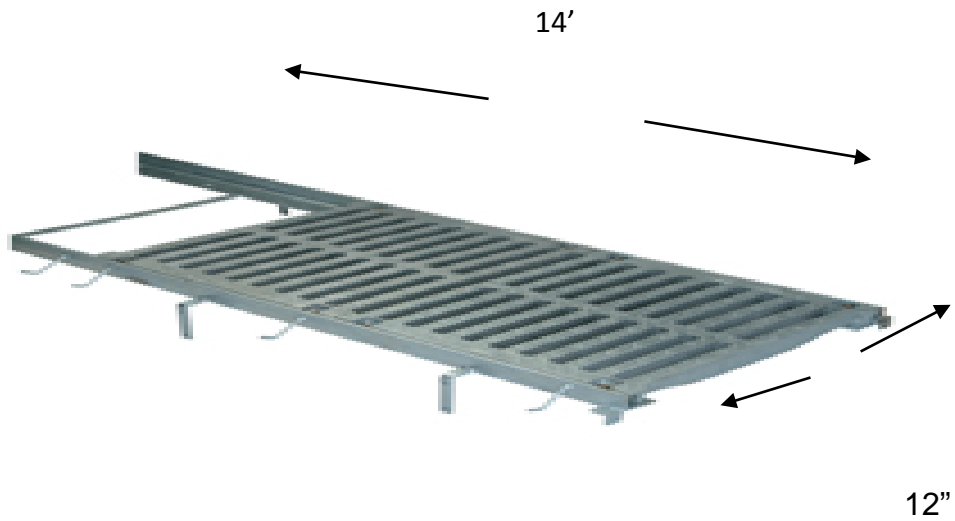


WICKETTS STAINLESS SPECIFICATION

WFG-12-SS-RFS



RFS (Reinforced Slotted Stainless Steel)



Engineering Specification: 12" WIDE FRAME & GRATE 304 SS WITH REINFORCED GRATES

WICKETTS STAINLESS, LLC.
2279 EAGLE GLEN PKWY. #112-209
CORONA, CA 92883
Tel: 951-858-2548
Fax: 951-638-9059
Sales@wickettsstainless.com



Approved for Manufacturing

Company: _____

Signature: _____