

ANZA™ MODEL # 2005

WATERLESS URINAL



**EcoTrap®
Inside!**



APPLICATION

- Commercial and Residential Use

EACH URINAL SUPPLIED WITH

- 946ml Bottle Blue Seal
- Portion Aid for Blue Seal Bottle
- **Two EcoTraps®**
- Xtraptor Tool for the replacement of Eco Traps
- Installation Instructions
- Fixing Kit
- 946ml Bottle Nviroclean

****Enough product for 15000 uses****

WARRANTY

3 Year Limited Warranty.
Supply owner with warranty card



Lic No. IAPMO-WM-022579-I01-R00

In keeping with our policy of product improvement, Waterless Co. reserves the right to change product specifications at any time without notice. It is the responsibility of the specifier, installer and wholesale seller to confirm specification at time of sale or installation. No responsibility is assumed, claimed or accepted by Waterless Co. Inc.

DESCRIPTION

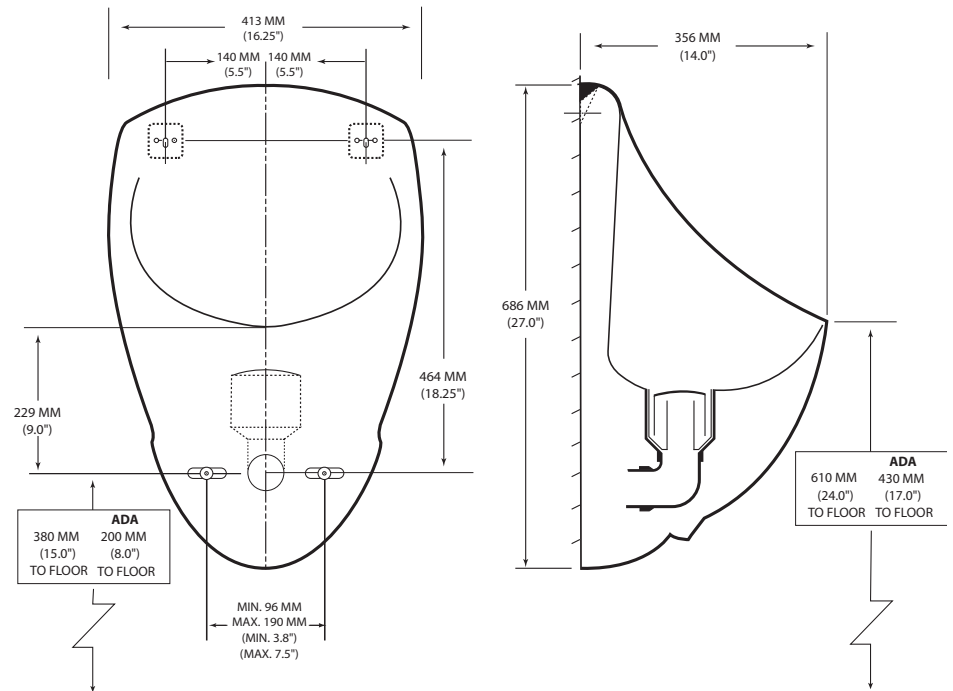
Waterless Co. Inc. No-Flush™ urinal Model #2005 Anza™, wall hung, made of High Performance Composite material (HPC) Urinal to have elongated rim, a full 50mm interior drain and 50mm flanged waste outlet; suitable for direct connection to a 50mm waste at the wall. Supplied EcoTrap® insert required. Trap insert to be of a vertical flow type with 360 degree perimeter openings and installed by press fit. Trap must be replaceable and refillable. Trap inserts are to be removed with a two pronged heavy duty stainless steel tool. Urinal to be fastened at the bottom front using standard bolts from brass urinal flange. The bottom of the urinal is to be fully enclosed.

DIMENSIONS (WxHxD)

16.25 x 27.0 x 14.0 inches (413 x 686 x 356 mm)

APPROX. WEIGHT

18 lbs (8.2 kg)



CODES/STANDARDS APPLICABLE:

FOR STANDARD INSTALLATION: Mount at 610mm above finished floor to lip of urinal or as required by architect. Center drain line to be at 380mm off finished floor.



FOR ADA REQUIREMENTS: mount at 430mm above finished floor to lip of urinal. ADA center drain line to be at 200mm off finished floor.

Supply suitable wall support, i.e. carrier. Install and maintain as per manufacturer's instructions. Urinal 50mm drain outlet installs and drains to 50mm flanged waste.

NOTE:

Urinal is predrilled to accept most 50mm urinal flanges from other manufacturer's urinals in a retrofit scenario. For new construction, specify #5001 brass urinal flange for 50mm urinal waste. On site custodial training is to be provided by the manufacturer or their representative. Certificates of training are to be issued and forwarded to the owner.