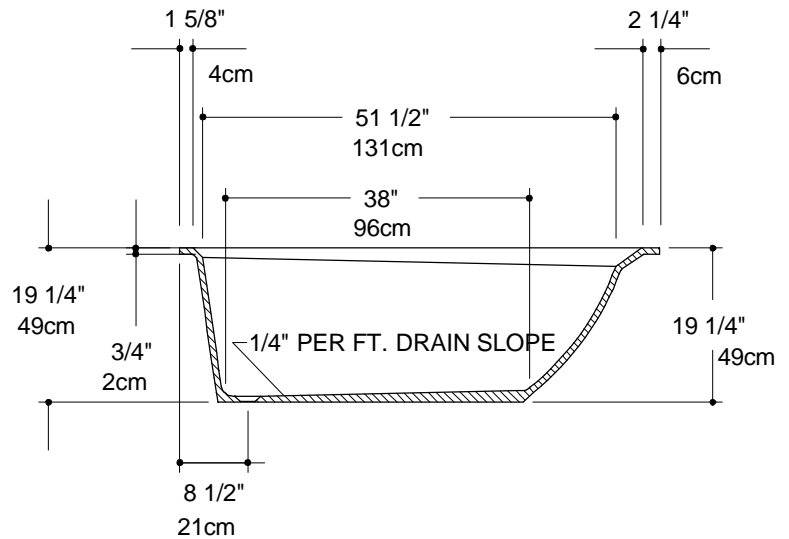
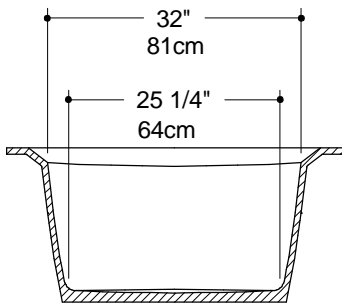
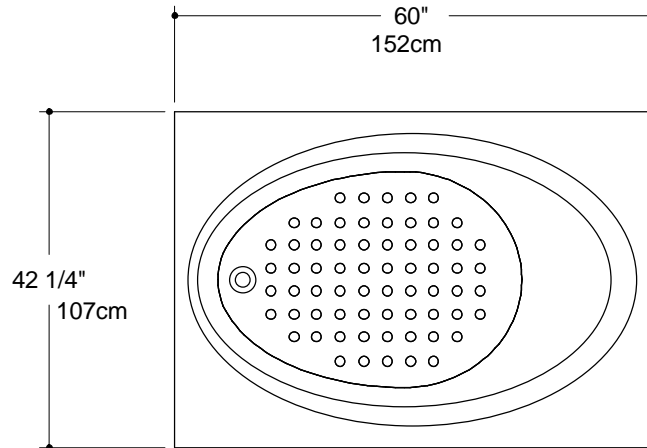


**MK21**



GRUBER SYSTEMS RESERVES THE RIGHT TO CHANGE THIS INFORMATION AT ANY TIME WITHOUT PRIOR NOTICE. ISSUED BY GRUBER SYSTEMS INC., 25636 AVENUE STANFORD, VALENCIA, CA 91355, USA. COPYRIGHT 2002

MOLD PART	CATALOG No.	DESCRIPTION
MALE	<b>29021</b>	<b>MK 21 MALE</b>
	<b>290212</b>	<b>MK 21 FLOATER</b>
TURTLE	<b>490213</b>	<b>F-MK 21 TURTLE</b>
FEMALE	<b>49021</b>	<del><b>F-MK 21 FOR STANDARD 3/4" WALL THICKNESS</b></del>
FEMALE	<b>490219</b>	<b>ULFF F-MK 21 FOR 1/2" WALL THICKNESS</b>
INSERT	<b>4902191</b>	<b>ULFF MK 21 INSERT</b>
NAME	<b>MK 21 BATHTUB 60" X 42 1/4" X 19 1/4" (152cm X 107cm X 49cm)</b>	
CAST WEIGHT	SCALE 1/2" = 1'0"	DATE 8-30-02 PAGE No. T-12