

Radio Interface Cable

For NCS-C250 Mobile Multi-Switcher

NCS Model Number

NCS-250-ANA-XX

Compatible Radios:

Harris M5300

Harris M7300

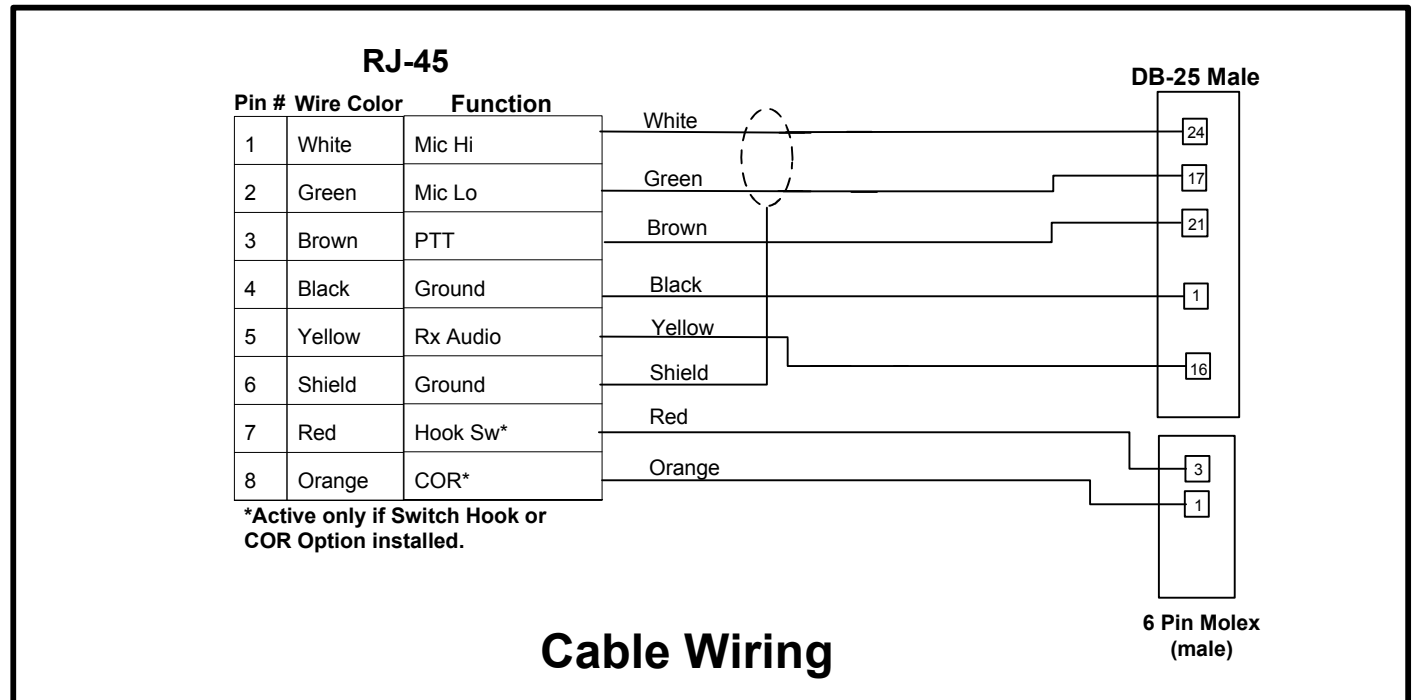
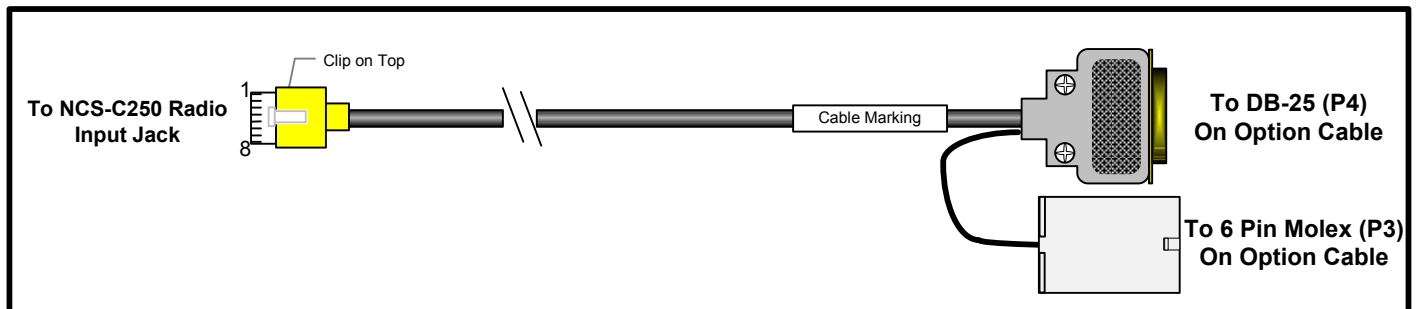
Harris XG-100M

Harris XG-75M

Harris XG-25M

Harris XL-200M

Note: This cable mates with Harris Option Cable 14002-0174-01, connector P3 & P4
OR Option Cable 14002-0174-08, connector P3 & P4.
(14002-0174-01 was formally P/N CA-012349-001)



Note:

1. Program PTT on pin 18 (**INP1**) of the DB-44 Accessory Connector (pin 21 of Option Cable's P4 Accessory Connector). Configure via the "Auxiliary Input 1" in the Radio Personality Manager's (RPM's) External I/O dialog Box.
2. Program External Mute (COR/TOR) on pin 10 (**OUT2**) of the DB-44 Accessory Connector (pin1 of Option Cable's P3 Accessory Connector). Configure via the "External Output Control Line 2" in Radio Personality Manager's (RPM's) External I/O dialog Box.