

Table of Contents

Part Number Index

PART NUMBER	MANUFACTURER	Page	PART NUMBER	MANUFACTURER	Page
1			M		
12A04	MAXITROL	23	ME1662-20	MARSHALL EXCELSIOR	18
12A06	MAXITROL	23	ME1662-36	MARSHALL EXCELSIOR	18
12A09	MAXITROL	23	ME1662-48	MARSHALL EXCELSIOR	18
12A34	MAXITROL	23	ME1663-20	MARSHALL EXCELSIOR	18
12A39	MAXITROL	23	ME1664-12	MARSHALL EXCELSIOR	18
13A15	MAXITROL	23	ME1664-18	MARSHALL EXCELSIOR	18
143 SERIES	SENSUS	25	ME1669-12	MARSHALL EXCELSIOR	18
1669D-12	MARSHALL EXCELSIOR	17	ME1669-12	MARSHALL EXCELSIOR	18
1669D-20	MARSHALL EXCELSIOR	17	ME1669-20	MARSHALL EXCELSIOR	18
2			ME1669-20	MARSHALL EXCELSIOR	18
210D	MAXITROL	19	ME1669-6	MARSHALL EXCELSIOR	18
210E	MAXITROL	19	ME1679-20	MARSHALL EXCELSIOR	18
243 SERIES	SENSUS	25	ME1680-12	MARSHALL EXCELSIOR	18
3			ME1680-20	MARSHALL EXCELSIOR	18
325-3	MAXITROL	20	ME1680-6	MARSHALL EXCELSIOR	18
325-3L	MAXITROL	20	ME1680L-20	MARSHALL EXCELSIOR	18
4			ME1684L-12	MARSHALL EXCELSIOR	18
496-043B20-31211	SENSUS	25	ME1689-12	MARSHALL EXCELSIOR	18
496-043B20-31211	SENSUS	25	MEGR-1122H-AAJ	MARSHALL EXCELSIOR	9
496-043B20-34211	SENSUS	25	MEGR-1222-BAF	MARSHALL EXCELSIOR	10
496-043B20-34211	SENSUS	25	MEGR-1232-BBF	MARSHALL EXCELSIOR	15
496-043B20-36211	SENSUS	25	MEGR-1232-HBF	MARSHALL EXCELSIOR	16
496-043B20-36211	SENSUS	25	MEGR-1622-BCF	MARSHALL EXCELSIOR	10
496-043B20-36211	SENSUS	25	MEGR-1622-CFF	MARSHALL EXCELSIOR	10
6			MEGR-1622-DFF	MARSHALL EXCELSIOR	10
627-6210	FISHER	6	MEGR-1622E-BCH	MARSHALL EXCELSIOR	11
627-7710	FISHER	6	MEGR-1622E-DCH	MARSHALL EXCELSIOR	11
630-104/78	FISHER	6	MEGR-1622H-BGJ	MARSHALL EXCELSIOR	9
64/222	FISHER	7	MEGR-1622H-DGJ	MARSHALL EXCELSIOR	9
64/35	FISHER	7	MEGR-1622H-HGJ	MARSHALL EXCELSIOR	10
64SR/23	FISHER	7	MEGR-1622H-JGJ	MARSHALL EXCELSIOR	10
67CH-741	FISHER	7	MEGR-1627/497	MARSHALL EXCELSIOR	13
67CH-742	FISHER	7	MEGR-1627/576	MARSHALL EXCELSIOR	13
67CH-743	FISHER	7	MEGR-1627/5810	MARSHALL EXCELSIOR	13
67CH-751	FISHER	7	MEGR-1627-6210	MARSHALL EXCELSIOR	13
7			MEGR-1627-7710	MARSHALL EXCELSIOR	13
70208-28	HURRICANE PRODUCTS	24	MEGR-1627M/267	MARSHALL EXCELSIOR	13
9			MEGR-1627M/471	MARSHALL EXCELSIOR	13
912/101	FISHER	6	MEGR-1627R/113	MARSHALL EXCELSIOR	13
B			MEGR-1627V/7710	MARSHALL EXCELSIOR	13
BE-51071	PVC	24	MEGR-1630-104/78	MARSHALL EXCELSIOR	13
C			MEGR-1632-BCF	MARSHALL EXCELSIOR	16
CS400IR-8EC6	FISHER	5	MEGR-1632-CFF	MARSHALL EXCELSIOR	16
CS400IR-8EC7	FISHER	5	MEGR-1632-HCF	MARSHALL EXCELSIOR	16
CS400IR-8EC8	FISHER	5	MEGR-1632-JFF	MARSHALL EXCELSIOR	16
F			MEGR-1652-CFF	MARSHALL EXCELSIOR	10
F30051	PIETRO FIORENTINI	23	MEGR-1652-DFF	MARSHALL EXCELSIOR	10
F30052	PIETRO FIORENTINI	23	MEGR-1652E-DFH	MARSHALL EXCELSIOR	11
F30053	PIETRO FIORENTINI	23	MEGR-1HSRL-BFC	MARSHALL EXCELSIOR	10
F30153	PIETRO FIORENTINI	24	MEGR-1HSRL-CFC	MARSHALL EXCELSIOR	10
F30154	PIETRO FIORENTINI	24	MEGR-230	MARSHALL EXCELSIOR	17
F30155	PIETRO FIORENTINI	24	MEGR-253	MARSHALL EXCELSIOR	12
H			MEGR-298	MARSHALL EXCELSIOR	16
HSRL-BFC	FISHER	3	MEGR-350	MARSHALL EXCELSIOR	15
HSRL-CFC	FISHER	3	MEGR-CS1200IR6EC1	MARSHALL EXCELSIOR	14
			MEGR-CS1200IR6EC3	MARSHALL EXCELSIOR	14
			MEGR-CS1200IR6EC6	MARSHALL EXCELSIOR	14
			MEGR-CS1200IR7EC1	MARSHALL EXCELSIOR	14

Table of Contents

Part Number Index

PART NUMBER	MANUFACTURER	Page	PART NUMBER	MANUFACTURER	Page
MEGR-CS1200IR7EC3	MARSHALL EXCELSIOR	14			
P					
P100A	FISHER	8			
P100C	FISHER	8			
P499	FISHER	8			
R					
R122H-AAJ	FISHER	1			
R222-BAF	FISHER	3			
R232A-BBF	FISHER	4			
R232A-HBF	FISHER	4			
R232E-BBH	FISHER	2			
R232E-BBH					
R232E-HBH	FISHER	2			
R275	SENSUS	26			
R400S	MAXITROL	19			
R500S	MAXITROL	19			
R622-BCF	FISHER	3			
R622-CFF	FISHER	3			
R622-DFE	FISHER	3			
R622E-BCH	FISHER	2			
R622E-DCH	FISHER	2			
R622H-BGJ	FISHER	1			
R622H-BGK	FISHER	1			
R622H-DGJ	FISHER	1			
R622H-HGJ	FISHER	1			
R622H-JGJ	FISHER	1			
R622H-JGK	FISHER	1			
R632A-BCF	FISHER	4			
R632A-CFF	FISHER	4			
R632A-HCF	FISHER	4			
R632E-BCH	FISHER	2			
R632E-CFH	FISHER	3			
R632E-HCH	FISHER	3			
R632E-JFH	FISHER	3			
R632-JFF	FISHER	4			
R642-DFE	FISHER	3			
R652-DFE	FISHER	4			
R652E-DFH	FISHER	2			
R962-31	FISHER	5			
RV20L	MAXITROL	21			
RV47L	MAXITROL	21			
RV48	MAXITROL	21			
RV52	MAXITROL	22			
RV53	MAXITROL	22			
RV61	MAXITROL	22			
RV81	MAXITROL	22			
RV91	MAXITROL	22			
S					
SONIX 880	SENSUS	26			
U					
UV406-007	PVC	24			
UVR-59602	PVC	24			
UVR-59616	PVC	24			
Y					
Y602-1	FISHER	8			
Y602-9	FISHER	8			

Table of Contents

Categorized Listing

GAS REGULATORS AND METERS	1
1ST STAGE	1
2 PSI	2
2 PSI TWIN STAGE	2
2ND STAGE	3
INTEGRAL	4
CHANGEOVER	5
COMMERCIAL	5
COMMERCIAL/INDUSTRIAL	6
SINGLE STAGE	6
HIGH PRESSURE	7
ACCESSORIES	8
1ST STAGE	9
2ND STAGE	10
2ND STAGE 2 PSI	11
CHANGEOVER	12
COMMERCIAL/INDUSTRIAL 1ST STAGE	13
COMMERCIAL/INDUSTRIAL 2ND STAGE	14
HIGH PRESSURE ADJUSTABLE	15
INTEGRAL	15
INTEGRAL 2 STAGE	16
LOW PRESSURE SINGLE STAGE	17
PIGTAILS/HOGTAILS	17
BALANCE VALVE DESIGN	19
LEVER ACTING DESIGN	20
POPPET DESIGN	21
STRAIGHT THRU	22
VENT LIMITERS	23
LINE PRESSURE	23
PROPANE	24
MINI	24
ACCESSORIES	24
PVC	24
2ND STAGE	25
COMMERCIAL	25
METERS	26



Selection, Support, Specialized Expertise

Jacksonville
904-448-8234

Orlando
407-898-1234

Tampa
813-740-0044

Largo
727-532-4691

Sarasota
941-388-0816

Miami
305-633-6635

Serving the Southeast and beyond, since 1946
From the Source to the Burner Tip

GAS REGULATORS AND METERS

1ST STAGE



R122H



R622H

PART NUMBER	SIZE	TYPE OF GAS	OUTLET PRESSURE RANGE	BTU CAPACITY
R122H-AAJ	1/4" NPT INLET; 1/2" NPT OUTLET	LP	10 PSI	1,100,000 PER HOUR
R622H-BGJ	1/2" FNPT INLET; 1/2" FNPT OUTLET	LP	8 TO 12 PSIG	2,100,000 PER HOUR
R622H-BGK	1/2" FNPT INLET; 1/2" FNPT OUTLET	LP	4 TO 6 PSIG	2,000,000 PER HOUR
R622H-DGJ	3/4" FNPT INLET; 3/4" FNPT OUTLET	LP	8 TO 12 PSIG	2,400,000 PER HOUR
R622H-HGJ	FPOL INLET; 1/2" FNPT OUTLET	LP	8 TO 12 PSIG	2,100,000 PER HOUR
R622H-JGJ	FPOL INLET; 3/4" FNPT OUTLET	LP	8 TO 12 PSIG	2,250,000 PER HOUR
R622H-JGK	FPOL INLET; 3/4" FNPT OUTLET; STRAIGHT THRU	LP	4 TO 6 PSIG	2,250,000 PER HOUR

GAS REGULATORS AND METERS



Selection, Support, Specialized Expertise

Jacksonville
904-448-8234

Orlando
407-898-1234

Tampa
813-740-0044

Largo
727-532-4691

Sarasota
941-358-0816

Miami
305-633-6535

Serving the Southeast and beyond, since 1946
From the Source to the Burner Tip

GAS REGULATORS AND METERS

2 PSI

622E



PART NUMBER	SIZE	TYPE OF GAS	OUTLET PRESSURE RANGE	BTU CAPACITY
R622E-BCH	1/2" FNPT INLET; 1/2" FNPT OUTLET	LP	1 TO 2.2 PSIG	1,460,000 PER HOUR
R622E-DCH	3/4" FNPT INLET; 3/4" FNPT OUTLET	LP	1 TO 2.2 PSIG	1,680,000 PER HOUR
R652E-DFH	3/4" FNPT INLET; 3/4" FNPT OUTLET	LP	1 TO 2.2 PSIG	1,500,000 PER HOUR

2 PSI TWIN STAGE



PART NUMBER	SIZE	TYPE OF GAS	OUTLET PRESSURE SET POINT	DETAIL	BTU CAPACITY
R232E-BBH R232E-BBH	1/4" FNPT INLET; 1/2" FNPT OUTLET	LP	2 PSIG	COMPACT	500,000 PER HOUR
R232E-HBH	FPOL INLET; 1/2" FNPT OUTLET	LP	2 PSIG	COMPACT	500,000 PER HOUR
R632E-BCH	1/4" FNPT INLET; 1/2" FNPT OUTLET	LP	2 PSIG	FULL-SIZE	850,000 PER HOUR



Selection, Support, Specialized Expertise

Jacksonville
904-448-8234

Orlando
407-898-1234

Tampa
813-740-0044

Largo
727-532-4691

Sarasota
941-388-0816

Miami
305-633-6535

Serving the Southeast and beyond, since 1946
From the Source to the Burner Tip

GAS REGULATORS AND METERS

2 PSI TWIN STAGE

PART NUMBER	SIZE	TYPE OF GAS	OUTLET PRESSURE SET POINT	DETAIL	BTU CAPACITY
R632E-CFH	1/4" FNPT INLET; 3/4" FNPT OUTLET	LP	2 PSIG	FULL-SIZE	850,000 PER HOUR
R632E-HCH	FPOL INLET; 1/2" FNPT OUTLET	LP	2 PSIG	FULL-SIZE	900,000 PER HOUR
R632E-JFH	FPOL INLET; 3/4" FNPT OUTLET	LP	2 PSIG		850,000 PER HOUR

2ND STAGE



PART NUMBER	SIZE	TYPE OF GAS	OUTLET PRESSURE RANGE	DETAIL	BTU CAPACITY
HSRL-BFC	3/4" FNPT INLET; 3/4" FNPT OUTLET	LP	9 TO 13" WC	STRAIGHT THRU	2,300,000 PER HOUR
HSRL-CFC	1" FNPT INLET; 1" FNPT OUTLET	LP	9 TO 13" WC	STRAIGHT THRU	2,600,000 PER HOUR
R222-BAF	1/2" FNPT INLET; 1/2" FNPT OUTLET	LP	9.5 TO 13" WC	STRAIGHT THRU	650,000 PER HOUR
R622-BCF	1/2" FNPT INLET; 1/2" FNPT OUTLET	LP	9 TO 13" WC	STRAIGHT THRU	875,000 PER HOUR
R622-CFF	1/2" FNPT INLET; 3/4" FNPT OUTLET	LP	9 TO 13" WC	STRAIGHT THRU	1,400,000 PER HOUR
R622-DFE	3/4" FNPT INLET; 3/4" FNPT OUTLET	LP	9 TO 13" WC	STRAIGHT THRU	1,400,000 PER HOUR
R642-DFE	3/4" FNPT INLET; 3/4" FNPT OUTLET	LP	9 TO 13" WC	ANGLE MOUNT	920,000 PER HOUR

GAS REGULATORS AND METERS



Selection, Support, Specialized Expertise

Jacksonville
904-448-8234

Orlando
407-898-1234

Tampa
813-740-0044

Largo
727-532-4691

Sarasota
941-388-0816

Miami
305-633-6535

Serving the Southeast and beyond, since 1946
From the Source to the Burner Tip

GAS REGULATORS AND METERS

2ND STAGE

PART NUMBER	SIZE	TYPE OF GAS	OUTLET PRESSURE RANGE	DETAIL	BTU CAPACITY
R652-DFE	3/4" FNPT INLET; 3/4" FNPT OUTLET	LP	9 TO 13" WC	BACKMOUNT	1,000,000 PER HOUR

INTEGRAL



PART NUMBER	SIZE	TYPE OF GAS	OUTLET PRESSURE RANGE	DETAIL	BTU CAPACITY
R232A-BBF	1/4" FNPT INLET; 1/2" FNPT OUTLET	LP	9.5 TO 13" WC	STRAIGHT THRU	550,000 PER HOUR
R232A-HBF	FPOL INLET; 1/2" FNPT OUTLET	LP	9.5 TO 13" WC	STRAIGHT THRU	550,000 PER HOUR
R632A-BCF	1/4" FNPT INLET; 1/2" FNPT OUTLET	LP	9 TO 13" WC	STRAIGHT THRU	850,000 PER HOUR
R632A-CFF	1/4" FNPT INLET; 3/4" FNPT OUTLET	LP	9 TO 13" WC	STRAIGHT THRU	950,000 PER HOUR
R632A-HCF	FPOL INLET; 1/2" FNPT OUTLET	LP	9 TO 13" WC	STRAIGHT THRU	850,000 PER HOUR
R632-JFF	FPOL INLET; 3/4" FNPT OUTLET	LP	9 TO 13" WC	STRAIGHT THRU	850,000 PER HOUR

GAS REGULATORS AND METERS



Selection, Support, Specialized Expertise

Jacksonville
904-448-8234

Orlando
407-898-1234

Tampa
813-740-0044

Largo
727-532-4691

Sarasota
941-358-0816

Miami
305-633-6535

Serving the Southeast and beyond, since 1946
From the Source to the Burner Tip

GAS REGULATORS AND METERS CHANGEOVER



PART NUMBER	SIZE	TYPE OF GAS	DETAIL	BTU CAPACITY
R962-31	1/4" INV FL INLET; 1/2" FNPT OUTLET	LP	3/4" FNPT VENT	600,000 PER HOUR

COMMERCIAL



PART NUMBER	SIZE	TYPE OF GAS	OUTLET PRESSURE RANGE	DETAIL	BTU CAPACITY
CS400IR-8EC6	1 1/4" FNPT INLET; 1 1/4" FNPT OUTLET	LP	10 TO 14" WC	MAX INLET 20 PSIG	6,800,000 PER HOUR
CS400IR-8EC7	1 1/2" FNPT INLET; 1 1/2" FNPT OUTLET	LP	10 TO 14" WC		7,600,000 PER HOUR
CS400IR-8EC8	2" FNPT INLET; 2" FNPT OUTLET	LP	10 TO 14" WC		7,600,000 PER HOUR

GAS REGULATORS AND METERS



Selection, Support, Specialized Expertise

Jacksonville
904-448-8234

Orlando
407-898-1234

Tampa
813-740-0044

Largo
727-532-4691

Sarasota
941-358-0816

Miami
305-633-6535

Serving the Southeast and beyond, since 1946
From the Source to the Burner Tip

GAS REGULATORS AND METERS COMMERCIAL/INDUSTRIAL



PART NUMBER	SIZE	TYPE OF GAS	OUTLET PRESSURE RANGE	BTU CAPACITY
627-6210	3/4" FNPT INLET; 3/4" FNPT OUTLET	LP	5 TO 20 PSIG	10,755,000
627-7710	1" FNPT INLET; 1" FNPT OUTLET	LP	5 TO 20 PSIG	10,773,000 PER HOUR
630-104/78	2" FNPT INLET; 2" FNPT OUTLET	LP	8 TO 20 PSIG	14,000,000 PER HOUR

SINGLE STAGE



PART NUMBER	SIZE	TYPE OF GAS	OUTLET PRESSURE RANGE	OUTLET PRESSURE SET POINT	BTU CAPACITY
912/101	1/4" FNPT INLET; 3/8" NPT OUTLET	LP	9.25 TO 13" WC	11" WC	110,000 TO 494,000 PER HOUR



Selection, Support, Specialized Expertise

Jacksonville
904-448-8234

Orlando
407-898-1234

Tampa
813-740-0044

Largo
727-532-4691

Sarasota
941-388-0816

Miami
305-633-6635

Serving the Southeast and beyond, since 1946
From the Source to the Burner Tip

GAS REGULATORS AND METERS

HIGH PRESSURE



PART NUMBER	SIZE	TYPE OF GAS	OUTLET PRESSURE RANGE	BTU CAPACITY
64/222	1/2" FNPT INLET; 1/2" FNPT OUTLET	LP	35 TO 100 PSIG	5,250,000 PER HOUR
64/35	1/2" FNPT INLET; 1/2" FNPT OUTLET	LP	5 TO 35 PSIG	3,600,000 PER HOUR
64SR/23	1/2" FNPT INLET; 1/2" FNPT OUTLET	LP	5 TO 35 PSIG	3,600,000 PER HOUR
67CH-741	1/4" FNPT INLET; 1/4" FNPT OUTLET	LP	50 TO 120 PSIG	1,000,000 PER HOUR
67CH-742	1/4" FNPT INLET; 1/4" FNPT OUTLET	LP	30 TO 60 PSIG	1,200,000 PER HOUR
67CH-743	1/4" FNPT INLET; 1/4" FNPT OUTLET	LP	3 TO 35 PSIG	750,000 PER HOUR
67CH-751	1/4" FNPT INLET; 1/4" FNPT OUTLET	LP	3 TO 20 PSIG	675,000 PER HOUR

GAS REGULATORS AND METERS



Selection, Support, Specialized Expertise

Jacksonville
904-448-8234

Orlando
407-898-1234

Tampa
813-740-0044

Largo
727-532-4691

Sarasota
941-388-0816

Miami
305-633-6535

Serving the Southeast and beyond, since 1946
From the Source to the Burner Tip

GAS REGULATORS AND METERS

ACCESSORIES



PART NUMBER	SIZE	TYPE OF GAS	DETAIL
P100A	TRIANGLE STYLE BRACKET	LP	USE WITH R622, R632, R642, R622H
P100C	BOWTIE STYLE BRACKET	LP	USE WITH R622, R632, R642, R622H
P499	1/4" INV FLX 1/4" NP	LP	ADAPTOR WITH SCREEN
Y602-1	1/4" MNPT	LP	UMBRELLA TYPE VENT ASSEMBLY
Y602-9	3/4" FNPT	LP	ANGLE TYPE VENT ASSEMBLY

GAS REGULATORS AND METERS



Selection, Support, Specialized Expertise

Jacksonville
904-448-8234

Orlando
407-898-1234

Tampa
813-740-0044

Largo
727-532-4691

Sarasota
941-388-0816

Miami
305-633-6535

Serving the Southeast and beyond, since 1946
From the Source to the Burner Tip

1ST STAGE



PART NUMBER	SIZE	TYPE OF GAS	OUTLET PRESSURE RANGE	OUTLET PRESSURE SET POINT	DETAIL	BTU CAPACITY
MEGR-1122H-AAJ	1/4" FNPT INLET X 1/2" FNPT OUTLET	LP	9 - 12 PSI	10 PSI	COMPACT	1,000,000
MEGR-1622H-BGJ	1/2" FNPT IN/OUT	LP	8 - 12 PSI	10 PSI	FULL SIZE	2,200,000
MEGR-1622H-DGJ	3/4" FNPT IN/OUT	LP	8 - 12 PSI	10 PSI	FULL SIZE	2,500,000

GAS REGULATORS AND METERS

GAS REGULATORS AND METERS

1ST STAGE



PART NUMBER	SIZE	TYPE OF GAS	OUTLET PRESSURE RANGE	OUTLET PRESSURE SET POINT	DETAIL	BTU CAPACITY
MEGR-1622H-HGJ	FEM POL INLET X 1/2" FNPT OUTLET	LP	8 - 12 PSI	10 PSI	FULL SIZE	2,300,000
MEGR-1622H-JGJ	FEM POL INLET X 3/4" FNPT OUTLET	LP	8 - 12 PSI	10 PSI	FULL SIZE	2,750,000

2ND STAGE



MEGR-1222



MEGR-1622



MEGR-1652



MEGR-1HSRL



PART NUMBER	SIZE	TYPE OF GAS	OUTLET PRESSURE RANGE	OUTLET PRESSURE SET POINT	DETAIL	BTU CAPACITY
MEGR-1222-BAF	1/2" FNPT IN/OUT	LP	9.5" - 13" WC	11" WC	COMPACT	500,000
MEGR-1622-BCF	1/2" FNPT IN/OUT	LP	9" - 13" WC	11" WC	FULL SIZE	710,000
MEGR-1622-CFF	1/2" FNPT INLET X 3/4" FNPT OUTLET	LP	9" - 13" WC	11" WC	FULL SIZE	1,300,000
MEGR-1622-DFF	3/4" FNPT IN/OUT	LP	9" - 13" WC	11" WC	FULL SIZE	1,300,000
MEGR-1652-CFF	1/2" FNPT INLET X 3/4" FNPT OUTLET	LP	9" - 13" WC	11" WC	FULL SIZE; BACKMOUNT	1,000,000
MEGR-1652-DFF	3/4" FNPT IN/OUT	LP	9" - 13" WC	11" WC	FULL SIZE; BACKMOUNT	1,000,000
MEGR-1HSRL-BFC	3/4" FNPT IN/OUT	LP	6" - 14" WC	11" WC	HOUSE SERVICE	2,000,000
MEGR-1HSRL-CFC	1" FNPT IN/OUT	LP	6" - 14" WC	11" WC	HOUSE SERVICE	2,500,000



Selection, Support, Specialized Expertise

Jacksonville
904-448-8234

Orlando
407-898-1234

Tampa
813-740-0044

Largo
727-532-4691

Sarasota
941-388-0816

Miami
305-633-6535

Serving the Southeast and beyond, since 1946
From the Source to the Burner Tip

GAS REGULATORS AND METERS

2ND STAGE 2 PSI



PART NUMBER	SIZE	TYPE OF GAS	OUTLET PRESSURE RANGE	OUTLET PRESSURE SET POINT	DETAIL	BTU CAPACITY
MEGR-1622E-BCH	1/2" FNPT IN/OUT	LP	1 - 2.2 PSI	2 PSI	FULL SIZE	1,100,000
MEGR-1622E-DCH	3/4" FNPT IN/OUT	LP	1 - 2.2 PSI	2 PSI	FULL SIZE	1,400,000
MEGR-1652E-DFH	3/4" FNPT IN/OUT	LP	1 - 2.2 PSI	2 PSI	FULL SIZE; BACKMOUNT	1,300,000

GAS REGULATORS AND METERS

GAS REGULATORS AND METERS

CHANGEOVER



PART NUMBER	SIZE	TYPE OF GAS	OUTLET PRESSURE SET POINT	NOTES	DETAIL	BTU CAPACITY
MEGR-253	1/4" INV FLARE X 3/8" FPT	LP	11" WC	MOUNTING BRACKET: MEGR-900 OR MEGR-RVB	2 STAGE AUTO CHANGEOVER; INLET 100 PSI	225,000 PRIMARY / 150,000 RESERVE

GAS REGULATORS AND METERS



Selection, Support, Specialized Expertise

Jacksonville
904-448-8234

Orlando
407-898-1234

Tampa
813-740-0044

Largo
727-532-4691

Sarasota
941-388-0816

Miami
305-633-6635

Serving the Southeast and beyond, since 1946
From the Source to the Burner Tip

GAS REGULATORS AND METERS COMMERCIAL/INDUSTRIAL 1ST STAGE



PART NUMBER	SIZE	OUTLET PRESSURE RANGE	OUTLET PRESSURE SET POINT	DETAIL	BTU CAPACITY
MEGR-1627/497	1" FNPT IN/OUT; 1/2" ORIFICE	15 - 40 PSI	20 PSI	1ST STAGE HIGH PRESSURE	6,050,000 - 36,600,000
MEGR-1627/576	2" FNPT IN/OUT; 1/2" ORIFICE	5 - 20 PSI	10 PSI	1ST STAGE HIGH PRESSURE	6,003,000 - 45,000,000
MEGR-1627/5810	3/4" FNPT IN/OUT; 3/8" ORIFICE	5 - 20 PSI	10 PSI	1ST STAGE HIGH PRESSURE	4,700,000 - 11,700,000
MEGR-1627-6210	3/4" FNPT IN/OUT; 1/2" ORIFICE	5 - 20 PSI	10 PSI	1ST STAGE HIGH PRESSURE	6,700,000 - 12,400,000
MEGR-1627-7710	1" FNPT IN/OUT; 1/2" ORIFICE	5 - 20 PSI	10 PSI	1ST STAGE HIGH PRESSURE	6,900,000 - 25,100,000
MEGR-1627M/267	2" FNPT IN/OUT; 1/2" ORIFICE	5 - 20 PSI	10 PSI	1ST STAGE HIGH PRESSURE	6,003,000 - 36,100,000
MEGR-1627M/471	1" FNPT IN/OUT; 1/2" ORIFICE	5 - 20 PSI	10 PSI	1ST STAGE HIGH PRESSURE	6,900,000 - 25,100,000
MEGR-1627R/113	3/4" FNPT IN/OUT; 3/8" ORIFICE	5 - 20 PSI	10 PSI	1ST STAGE HIGH PRESSURE	4,200,000 - 9,800,000
MEGR-1627V/7710	1" FNPT IN/OUT; 1/2" ORIFICE	5 - 20 PSI	10 PSI	1ST STAGE HIGH PRESSURE	6,900,000 - 25,100,000
MEGR-1630-104/78	2" FNPT IN/OUT; 1/2" ORIFICE	8 - 20 PSI	10 PSI	1ST STAGE	7,700,000 - 47,000,000

GAS REGULATORS AND METERS



Selection, Support, Specialized Expertise

Jacksonville
904-448-8234

Orlando
407-898-1234

Tampa
813-740-0044

Largo
727-532-4691

Sarasota
941-388-0816

Miami
305-633-6535

Serving the Southeast and beyond, since 1946
From the Source to the Burner Tip

GAS REGULATORS AND METERS

COMMERCIAL/INDUSTRIAL 2ND STAGE



MEGR-CS 1200

PART NUMBER	SIZE	OUTLET PRESSURE RANGE	OUTLET PRESSURE SET POINT	DETAIL	BTU CAPACITY
MEGR-CS1200IR6EC1	3/4" FNPT IN/OUT; 1/2" ORIFICE	6" - 14" WC	11" WC	2ND STAGE LOW PRESSURE; MAX OPERATING INLET 25 PSI	1,600,000 - 2,100,000
MEGR-CS1200IR6EC3	1" FNPT IN/OUT; 1/2" ORIFICE	6" - 14" WC	11" WC	2ND STAGE LOW PRESSURE; MAX OPERATING INLET 25 PSI	1,900,000 - 2,500,000
MEGR-CS1200IR6EC6	1 1/4" FNPT IN/OUT; 1/2" ORIFICE	6" - 14" WC	11" WC	2ND STAGE LOW PRESSURE; MAX OPERATING INLET 25 PSI	2,800,000 - 3,100,000
MEGR-CS1200IR7EC1	3/4" FNPT IN/OUT; 5/16" ORIFICE	6" - 14" WC	7" WC	2ND STAGE LOW PRESSURE; MAX OPERATING INLET 25 PSI	985,000 - 1,250,000
MEGR-CS1200IR7EC3	1" FNPT IN/OUT; 5/16" ORIFICE	6" - 14" WC	7" WC	2ND STAGE LOW PRESSURE; MAX OPERATING INLET 25 PSI	1,525,000 - 1,620,000

GAS REGULATORS AND METERS



Selection, Support, Specialized Expertise

Jacksonville
904-448-8234

Orlando
407-898-1234

Tampa
813-740-0044

Largo
727-532-4691

Sarasota
941-358-0816

Miami
305-633-6535

Serving the Southeast and beyond, since 1946
From the Source to the Burner Tip

GAS REGULATORS AND METERS HIGH PRESSURE ADJUSTABLE



PART NUMBER	SIZE	TYPE OF GAS	OUTLET PRESSURE RANGE	DETAIL	BTU CAPACITY
MEGR-350	1/4" FNPT IN/OUT	LP	0 TO 10 PSI	MAX INLET PRESSURE 250 PSIG	1,200,000

INTEGRAL



PART NUMBER	SIZE	TYPE OF GAS	OUTLET PRESSURE RANGE	OUTLET PRESSURE SET POINT	DETAIL	BTU CAPACITY
MEGR-1232-BBF	1/4" FNPT INLET X 1/2" FNPT OUTLET	LP	9.5" - 13" WC	11" WC	COMPACT	450,000

GAS REGULATORS AND METERS

GAS REGULATORS AND METERS

INTEGRAL



PART NUMBER	SIZE	TYPE OF GAS	OUTLET PRESSURE RANGE	OUTLET PRESSURE SET POINT	DETAIL	BTU CAPACITY
MEGR-1232-HBF	FEM POL INLET X 1/2" FNPT OUTLET	LP	9.5" - 13" WC	11" WC	COMPACT	450,000
MEGR-1632-BCF	1/4" FNPT INLET X 1/2" FNPT OUTLET	LP	9" - 13" WC	11" WC	FULL SIZE	700,000
MEGR-1632-CFF	1/4" FNPT INLET X 3/4" FNPT OUTLET	LP	9" - 13" WC	11" WC	FULL SIZE	950,000
MEGR-1632-HCF	FEM POL INLET X 1/2" FNPT OUTLET	LP	9" - 13" WC	11" WC	FULL SIZE	700,000
MEGR-1632-JFF	FEM POL INLET X 3/4" FNPT OUTLET	LP	9" - 13" WC	11" WC	FULL SIZE	900,000

INTEGRAL 2 STAGE



PART NUMBER	SIZE	TYPE OF GAS	OUTLET PRESSURE SET POINT	DETAIL	BTU CAPACITY
MEGR-298	1/4" FNPT INLET X 3/8" FNPT OUTLET	LP	11" WC	90' VENT; COMPACT	175,000



Selection, Support, Specialized Expertise

Jacksonville
904-448-8234

Orlando
407-898-1234

Tampa
813-740-0044

Largo
727-532-4691

Sarasota
941-358-0816

Miami
305-633-6535

Serving the Southeast and beyond, since 1946
From the Source to the Burner Tip

GAS REGULATORS AND METERS

LOW PRESSURE SINGLE STAGE



PART NUMBER	SIZE	TYPE OF GAS	OUTLET PRESSURE SET POINT	DETAIL	BTU CAPACITY
MEGR-230	1/4" FNPT INLET; 3/8" FNPT OUTLET	LP	11" WC	MAX INLET PRESSURE 250 PSI	140,000

PIGTAILS/HOGTAILS



POL X POL
LONG NIPPLE



POL X 1/4" INV FL
LONG NIPPLE



POL X POL
SHORT NIPPLE



POL X 1/4" MNPT
SHORT NIPPLE



POL X 1/4" MNPT
LONG NIPPLE



POL X 1/4" MNPT
LONG NIPPLE



DIELECTRIC ME1669D

PART NUMBER	SIZE	TYPE OF GAS	NOTES	DETAIL
1669D-12	POL X 1/4" MPT X 12" LONG	LP		DIELECTRIC PIGTAIL
1669D-20	POL X 1/4" MPT X 20" LONG	LP		DIELECTRIC PIGTAIL

Serving the Southeast and Beyond...*Need something you don't see? Call us!*

GAS REGULATORS AND METERS



Selection, Support, Specialized Expertise

Jacksonville
904-448-8234

Orlando
407-898-1234

Tampa
813-740-0044

Largo
727-532-4691

Sarasota
941-358-0816

Miami
305-633-6535

Serving the Southeast and beyond, since 1946
From the Source to the Burner Tip

GAS REGULATORS AND METERS

PIGTAILS/HOGTAILS



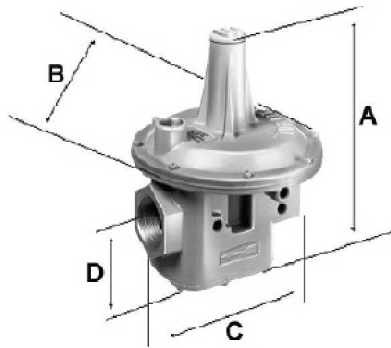
PART NUMBER	SIZE	TYPE OF GAS	NOTES	DETAIL
ME1662-20	7/8" HEX X 20"	LP	LONG NIPPLE	POL X POL
ME1662-36	7/8" HEX X 36"	LP	LONG NIPPLE	POL X POL
ME1662-48	7/8" HEX X 48"	LP	LONG NIPPLE	POL X POL
ME1663-20	7/8" HEX X 20"	LP	LONG NIPPLE	POL X 1/4" INV FL
ME1664-12	7/8" HEX X 12"	LP	SHORT NIPPLE	POL X POL
ME1664-18	7/8" HEX X 18"	LP	SHORT NIPPLE	POL X POL
ME1669-12	7/8" HEX X 12"	LP	SHORT NIPPLE	POL X 1/4" MNPT
ME1669-12	POL X 1/4" MPT; 12" LONG	LP		DIELECTRIC PIGTAIL
ME1669-20	7/8" HEX X 20"	LP	SHORT NIPPLE	POL X 1/4" MNPT
ME1669-20	POL X 1/4" MPT; 20" LONG	LP		DIELECTRIC PIGTAIL
ME1669-6	7/8" HEX X 6"	LP	SHORT NIPPLE	POL X 1/4" MNPT
ME1679-20	7/8" HEX X 20"	LP	LONG NIPPLE	POL X 1/4" MNPT
ME1680-12	7/8" HEX X 12"	LP	SHORT NIPPLE	POL X POL
ME1680-20	7/8" HEX X 20"	LP	SHORT NIPPLE	POL X POL
ME1680-6	7/8" HEX X 6"	LP	SHORT NIPPLE	POL X POL
ME1680L-20	7/8" HEX X 20"	LP	LONG NIPPLE	POL X POL
ME1684L-12	7/8" HEX X 12"	LP	LONG NIPPLE	POL X 1/2" MNPT
ME1689-12	7/8" HEX X 12"	LP	SHORT NIPPLE	POL X 1/4" MNPT

GAS REGULATORS AND METERS

GAS REGULATORS AND METERS

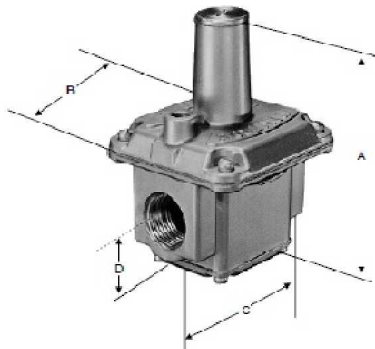
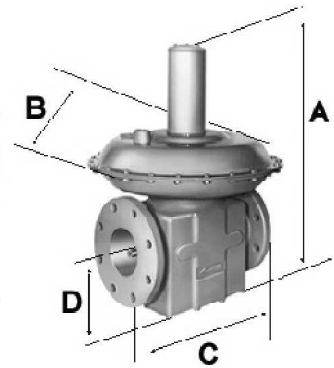
BALANCE VALVE DESIGN

MAXITROL



DIMENSIONS - in inches

Model and Illustration Number	Swing Radius	Call Outs				
		A	B	C	D	
210D	1	5 7/16	9	7	8	2 3/8
210F	1	8 5/16	11 1/4	9 1/8	8	2 15/16
210G	1	11 7/8	16 1/2	13 1/2	10 3/8	4 9/16
210J	2	18	24 1/4	18	13 3/4	5 7/8



DIMENSIONS - in inches (millimeters)

Swing Model Number	Radius	Call-Outs			
		A	B	C	D
R400 & R400S	2.38 (60)	3.25 (83)	2 (51)	2 (51)	.94 (24)
R500 & R500S	3.56 (90)	4.69 (119)	3.13 (79)	3 (76)	1.19 (30)
R600 & R600S	4.32 (109.7)	5.68 (144.3)	3.88 (98.3)	4.03 (102.4)	1.46 (37.1)

PART NUMBER	SIZE	TYPE OF GAS	OUTLET PRESSURE SET POINT	DETAIL
210D	1", 1 1/4" OR 1 1/2"	LP/NAT	7"	HIGH PRESSURE
210E	1 1/2" OR 2"	LP/NAT	7"	10 PSI
R400S	3/8" OR 1/2"	LP/NAT	3.5"	5 PSI
R500S	1/2" OR 3/4"	LP/NAT	7"	5 PSI

GAS REGULATORS AND METERS



Selection, Support, Specialized Expertise

Jacksonville
904-448-8234

Orlando
407-898-1234

Tampa
813-740-0044

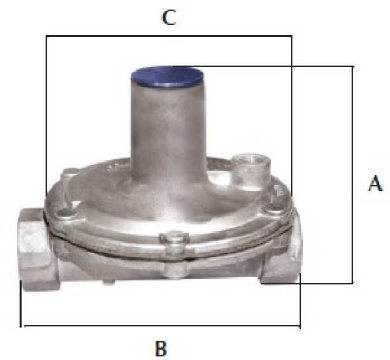
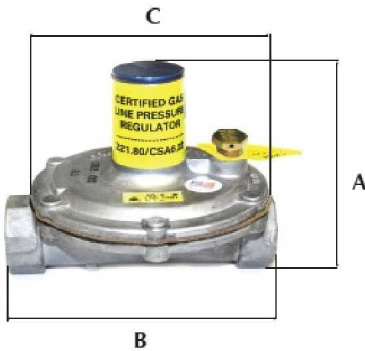
Largo
727-532-4691

Sarasota
941-358-0816

Miami
305-633-6535

Serving the Southeast and beyond, since 1946
From the Source to the Burner Tip

GAS REGULATORS AND METERS LEVER ACTING DESIGN



Model Number	Pipe Size*	Swing Radius	Dimensions		
			A	B	C
325-3(B)L	3/8", 1/2"	3 (76)	3 1/2 (89)	4 1/4 (108)	3 7/8 (98)

Model Number	Pipe Size*	Swing Radius	Dimensions		
			A	B	C
325-3(B)	3/8", 1/2"	3 (76)	3 1/2 (89)	4 1/4 (108)	3 7/8 (98)

PART NUMBER	SIZE	TYPE OF GAS	OUTLET PRESSURE SET POINT	DETAIL
325-3	3/8" OR 1/2"	LP/NAT	3.5"	10 PSI
325-3L	3/8" OR 1/2"	LP/NAT		2 PSI

GAS REGULATORS AND METERS



Selection, Support, Specialized Expertise

Jacksonville
904-448-8234

Orlando
407-898-1234

Tampa
813-740-0044

Largo
727-532-4691

Sarasota
941-388-0816

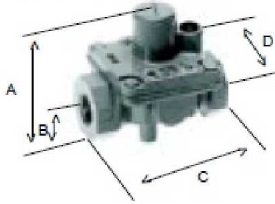
Miami
305-633-6535

Serving the Southeast and beyond, since 1946
From the Source to the Burner Tip

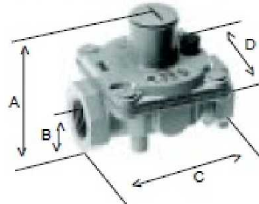
GAS REGULATORS AND METERS

POPPET DESIGN

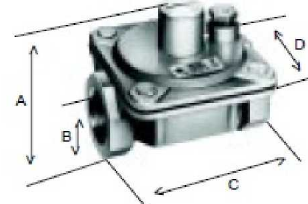
RV20



RV47, 47A



RV48



DIMENSIONS**: inches (millimeters)

Model	Vent Tap	Swing Radius	Call-Outs			
			A	B	C	D
RV12	None (Integral)	1.4 (35)	1.7 (43)	0.4 (10)	1.7 (43)	1.4 (35)
RV20	5/16-24 * (Integral)	1.6 (41)	2.1 (54)	0.5 (13)	2.4 (61)	1.75 (45)
RV47 CV47	None + (Integral)	1.9 (48)	2.5 (64)	0.6 (16)	2.9 (75)	2.25 (57)
RV47A CV47A	None + (Integral)	1.6 (41)	2.25 (57)	0.6 (16)	2.9 (75)	2.25 (57)
RV48	1/8" NPT ^	2 (51)	2.75 (70)	0.75 (19)	3.4 (86)	3 (76)

PART NUMBER	SIZE	TYPE OF GAS	DETAIL
RV20L	1/4" OR 3/8"	LP/NAT	APPLIANCE
RV47L	1/2"	LP/NAT	APPLIANCE
RV48	1/2" OR 3/4"	LP/NAT	APPLIANCE

GAS REGULATORS AND METERS



Selection, Support, Specialized Expertise

Jacksonville
904-448-8234

Orlando
407-898-1234

Tampa
813-740-0044

Largo
727-532-4691

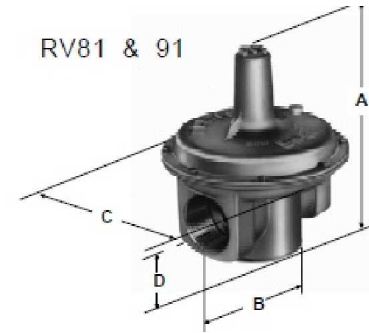
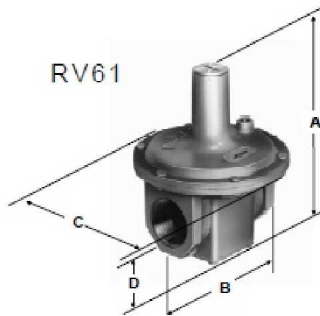
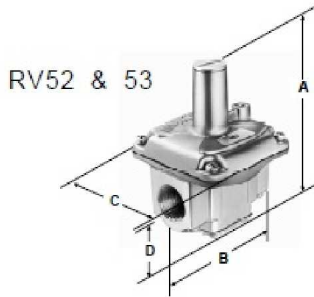
Sarasota
941-388-0816

Miami
305-633-6535

Serving the Southeast and beyond, since 1946
From the Source to the Burner Tip

GAS REGULATORS AND METERS

STRAIGHT THRU



DIMENSIONS*—inches (millimeters)

Model & Illustration Number	Vent Tap	Swing Radius	Call-Outs			
			A	B	C	D
RV52	1/8" NPT	3.6 (91)	4.9 (124)	3.2 (81)	3.25 (83)	1.25 (32)
RV53	1/8" NPT	3.9 (99)	5.2 (132)	3.75 (95)	3.9 (99)	1.3 (33)
RV61	1/8" NPT	4.8 (122)	6.4 (164)	4.4 (111)	5.4 (138)	1.6 (41)
RV81	3/8" NPT	6.4 (162)	8.4 (213)	6 (153)	7 (178)	2 (51)
RV91 2" pipe	1/2" NPT	8.5 (216)	10.8 (275)	6.5 (165)	9.1 (232)	2.3 (60)
RV91 2.5" pipe	1/4" NPT	8.3 (212)	10.5 (267)	7.1 (181)	9.1 (232)	2.4 (62)

PART NUMBER	SIZE	TYPE OF GAS	OUTLET PRESSURE SET POINT	DETAIL
RV52	1/2" OR 3/4"	LP/NAT	3.5"	1/2 PSI
RV53	3/4" OR 1"	LP/NAT	3.5"	1/2 PSI
RV61	1" OR 1 1/4"	LP/NAT	3.5"	BURNER
RV81	1 1/4" OR 1 1/2"	LP/NAT	3.5"	BURNER
RV91	2" OR 2 1/2"	LP/NAT	3.5"	BURNER



Selection, Support, Specialized Expertise

Jacksonville
904-448-8234

Orlando
407-898-1234

Tampa
813-740-0044

Largo
727-532-4691

Sarasota
941-388-0816

Miami
305-633-6635

Serving the Southeast and beyond, since 1946
From the Source to the Burner Tip

GAS REGULATORS AND METERS

VENT LIMITERS



12A04 / 12A09



12A06



12A34 / 12A39



13A15

PART NUMBER	COMMENT	DETAIL
12A04	VENT LIMITING MEANS	USE WITH RV48, RV52, RV53, RV61
12A06	VENT LIMITING ORIFICE	USE WITH RV48, RV52, RV53, RV61, R400(S), R500(S), R600(S)
12A09	VENT LIMITING MEANS	USE WITH 325-3
12A34	VENT LIMITING MEANS	USE WITH RV81
12A39	VENT LIMITING MEANS	USE WITH 325-5
13A15	VENT PROTECTOR	

LINE PRESSURE



2 PSI



5 PSI

PART NUMBER	SIZE	TYPE OF GAS	OUTLET PRESSURE SET POINT	BTU CAPACITY
F30051	1/2" INLET; 1/2" OUTLET	LP/NAT	7"	928,000
F30052	3/4" INLET; 3/4" OUTLET	LP/NAT	7"	1,155,000
F30053	1" INLET; 1" OUTLET	LP/NAT	7"	1,501,000

GAS REGULATORS AND METERS



Selection, Support, Specialized Expertise

Jacksonville
904-448-8234

Orlando
407-898-1234

Tampa
813-740-0044

Largo
727-532-4691

Sarasota
941-388-0816

Miami
305-633-6535

Serving the Southeast and beyond, since 1946
From the Source to the Burner Tip

GAS REGULATORS AND METERS

LINE PRESSURE



PART NUMBER	SIZE	TYPE OF GAS	OUTLET PRESSURE SET POINT	BTU CAPACITY
F30153	1 1/4" INLET; 1 1/4" OUTLET	LP/NAT	7"	7,891,000
F30154	1 1/2" INLET; 1 1/2" OUTLET	LP/NAT	7"	8,240,000
F30155	2" INLET; 2" OUTLET	LP/NAT	7"	15,087,000

GAS REGULATORS AND METERS

PROPANE MINI



PART NUMBER	TYPE OF GAS	DETAIL
70208-28	LP	MINIATURE LP REG

ACCESSORIES

PVC

PART NUMBER	SIZE
BE-51071	3/4" X 10'; SCHEDULE 40 UVR PVC GREY
UV406-007	3/4" 90' ELBOW; SCHEDULE 40 UVR PVC GREY
UVR-59602	3/4" COUPLING; SCHEDULE 40 UVR PVC GREY
UVR-59616	3/4" ADAPTER; SCHEDULE 40 UVR PVC GREY

GAS REGULATORS AND METERS

2ND STAGE



PART NUMBER	SIZE	TYPE OF GAS	DETAIL
496-043B20-31211	3/4" INLET	LP & NAT	6" TO 14" WC, 1/2" ORIFICE
496-043B20-34211	3/4" INLET	LP & NAT	SET AT 7" WC, 5/16" ORIFICE
496-043B20-36211	3/4" INLET	LP & NAT	6" TO 14" WC, 3/6" ORIFICE

COMMERCIAL



PART NUMBER	SIZE	TYPE OF GAS	DETAIL
143 SERIES	1 1/2" INLET AND OUTLET	LP & NAT	
243 SERIES	2" INLET AND OUTLET	LP & NAT	
496-043B20-31211	3/4" INLET	LP & NAT	6" TO 14" WC, 1/2" ORIFICE
496-043B20-34211	3/4" INLET	LP & NAT	SET AT 7" WC, 5/16" ORIFICE
496-043B20-36211	3/4" INLET	LP & NAT	6" TO 14" WC, 3/6" ORIFICE

GAS REGULATORS AND METERS



Selection, Support, Specialized Expertise

Jacksonville
904-448-8234

Orlando
407-898-1234

Tampa
813-740-0044

Largo
727-532-4691

Sarasota
941-388-0816

Miami
305-633-6535

Serving the Southeast and beyond, since 1946
From the Source to the Burner Tip

GAS REGULATORS AND METERS

METERS



SONIX 880



R 275

PART NUMBER	SIZE	DETAIL
R275	1 1/4" CONNECTIONS	275 SCFH NAT; 175 SCFH LP; 5 PSIG MAX
SONIX 880		880 CFH @ .5" WC; 1625 CFH @ 2" WC; 20 PSIF MAX

GAS REGULATORS AND METERS