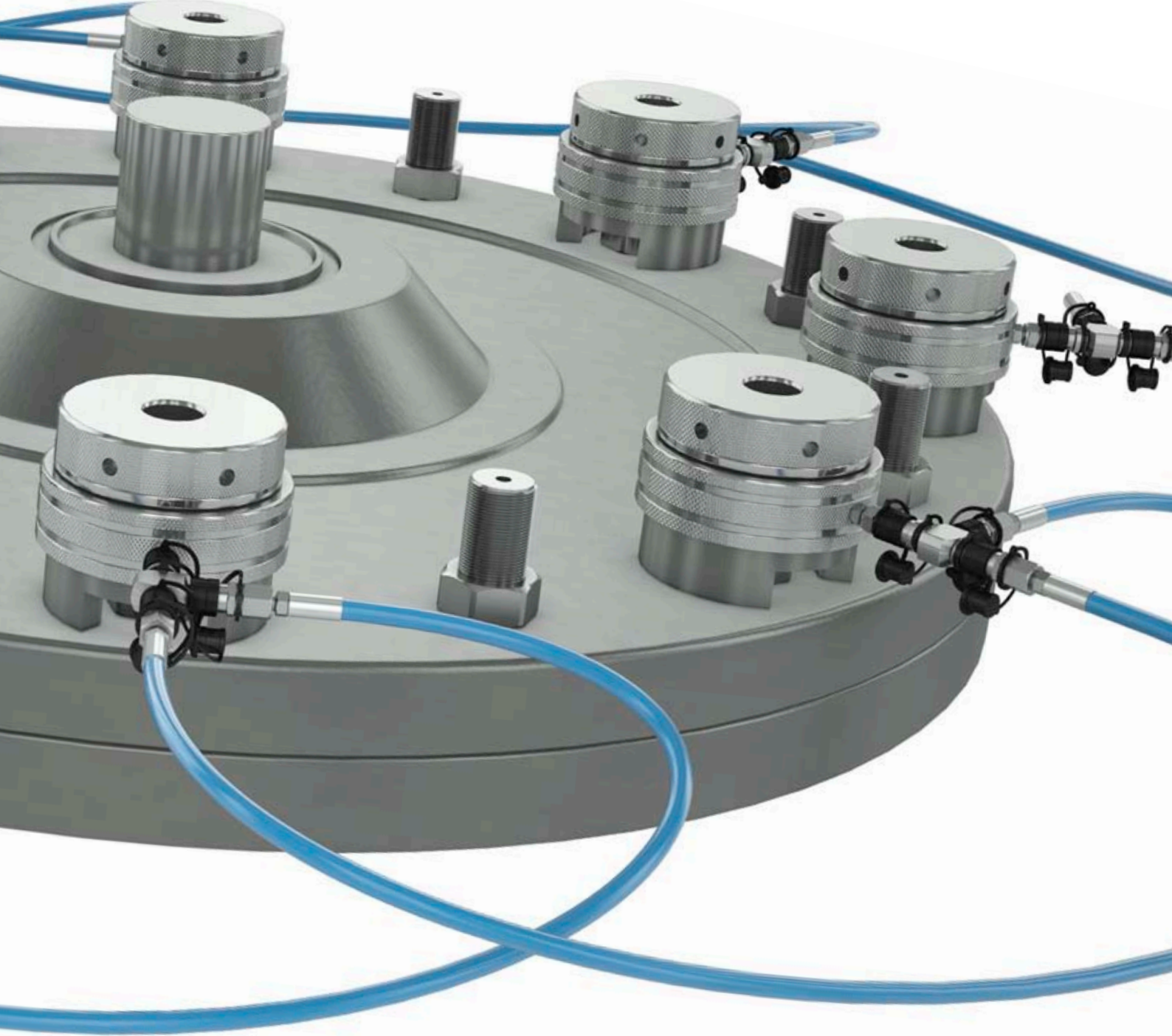




# Series 116 T-connections

*– A compact single component solution for serial connections;  
minimizing assembly time and leakage risks*





# Simplifying simultaneous connections

– *Replacing many components with just one*

The Series 116 T-connection is developed for bolt tensioners and other types of applications that need serial or simultaneous connection. The T-connection means that with one single component you can replace the standardized porting block solution and minimize the leakage risk. The T-connection is compact and thanks to a modified seal, the valve in the nipple can handle dynamic load while disconnected, without any risk for seal damage. This means that it is safe to have a disconnected nipple in the end of a

serial connection. No need for extra components, such as plugged couplings. Another big advantage is that less time and money is spent on assembly – as all assembly, including leak testing, is performed by CEJN – the T-connection is ready to use on delivery, straight out of the box. Fewer article numbers and having one supplier instead of many different also means a simplified ordering procedure and handling of deliveries.



## STANDARD SOLUTION

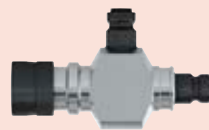
The most common way to feed a given number of high-pressure hydraulic tools/equipment like bolt tensioners and cylinders from the same pressure supply point is to create a serial connection by using porting blocks, adapters, sealings, nipples and couplings. This is a solution that works well, however it demands many different components.

## THE T-CONNECTION

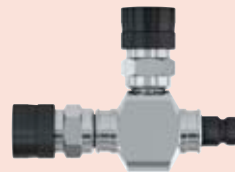
The Series 116 T-connection makes it possible to replace the porting block solution, with its 13 different components (and at least 5 part numbers), with one single component, with only one part number. The size and weight is significantly reduced, demanding less space and making the whole assembly easier to work with. Less components also means that compared to a porting block set up, the T-connection will minimize the number of potential leakage points.

## SIX DIFFERENT VERSIONS

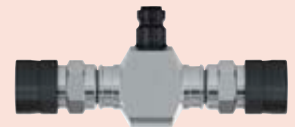
We have designed six different compact configurations of the T-connection – based on nipple and coupling in all possible combinations. The range of products offers maximum flexibility and suits almost any type of usage. Series 116 is a CEJN original with extremely small outside dimensions. Non-drip connection and disconnection are standard on the CEJN High-Pressure range. All exposed components are made of zinc-plated steel. The other couplings in the series are also available in Flat-Face design and with a safety ring for the locking sleeve to prevent accidental disconnection. Plastic dust caps are standard on both coupling and nipple, dust caps of aluminum can be ordered separately. The range is primarily recommended for cylinders, bolt tensioner tools, bearing pullers, etc



**Part nr:** 10 116 3166  
**Width:** 103 mm  
**Height:** 62 mm  
**Depth:** 28 mm  
**With 1 coupling and 2 nipples**



**Part nr:** 10 116 3116  
**Width:** 121 mm  
**Height:** 89 mm  
**Depth:** 28 mm  
**With 2 couplings and 1 nipple**



**Part nr:** 10 116 3161  
**Width:** 149 mm  
**Height:** 62 mm  
**Depth:** 28 mm  
**With 2 couplings and 1 nipple**



**Part nr:** 10 116 3111  
**Width:** 149 mm  
**Height:** 89 mm  
**Depth:** 28 mm  
**With 3 couplings**



**Part nr:** 10 116 3616  
**Width:** 94 mm  
**Height:** 89 mm  
**Depth:** 28 mm  
**With 1 coupling and 2 nipples**



**Part nr:** 10 116 3666  
**Width:** 94 mm  
**Height:** 62 mm  
**Depth:** 24 mm  
**With 3 nipples**

## TECHNICAL DATA

**Nominal flow diameter:** ..... 2.5 mm (3/32")  
**Flow capacity:** ..... 6.0 l/min (1.3 GPM UK)  
**Max. working pressure:** ..... 150.0 MPa  
**Min. burst pressure:** ..... 300.0 MPa

**Temperature range:** ..... -30°C – +100°C (-22°F – +212°F)  
**Material coupling:** ..... Hardened, zinc chromate plated steel  
**Material nipple:** ..... Hardened, zinc chromate plated steel  
**Material seal:** ..... Nitrile (NBR), other sealing material on request

Flow capacity is measured at 0.4 MPa pressure drop.



*Your Global*  
**Quick Connect Partner**

