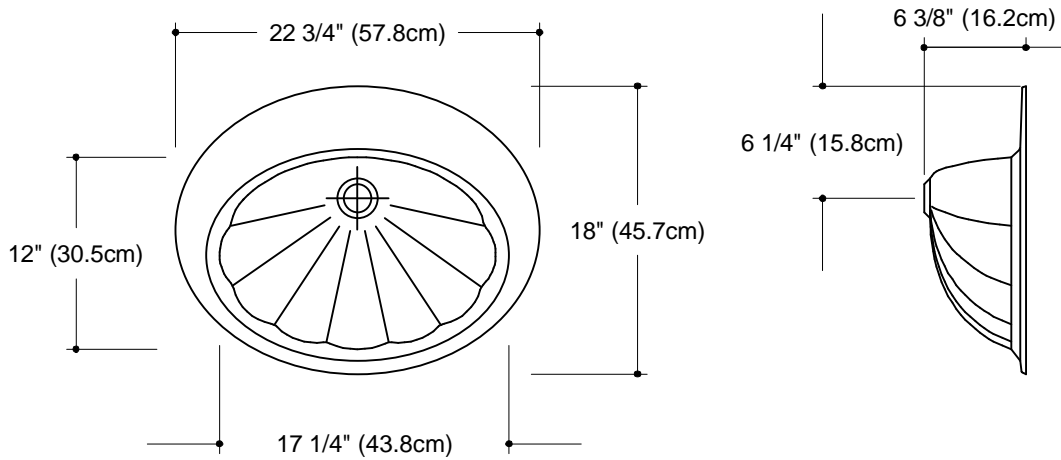


GRUBER SYSTEMS RESERVES THE RIGHT TO CHANGE THIS INFORMATION AT ANY TIME WITHOUT PRIOR NOTICE. ISSUED BY GRUBER SYSTEMS INC., 25636 AVENUE STANFORD, VALENCIA, CA 91355, USA. COPYRIGHT 2002



MOLD PART	CATALOG No.	DESCRIPTION
MALE	20045	108-NS WAIKIKI
	20009MA	ACCUCAST BWL. TEMP LN
FEMALE	400287	F-108-N/NS
	400288	F-108-N/NS NO OVERFLOW
	40009A	ACC ULFF-N
	400020MA	M-FFL-N W 1/2RD OVL ACCU
	400014	F-N/NS 1/2 EXT.OVFLOW
PERMANENT HATS	00284	PH-N/NS
	002842	PH-N/NS NO OVERFLOW
	00283	PH-N/NS SQUARE
	00281	PH-N/X SQ. NO FAUCET LND
	002831	PH-N SQ. OVERSIZED
	00344	PFH-COM-N-NO O/F
	00347	PH-N-COMPNO O/F US MARBLE
REUSABLE HATS	01362	RH-N/NS OVAL
	013680	RH-N-NO OVERFLOW
NAME	108 WAIKIKI	
CAST WEIGHT	SCALE 1" = 1' 0"	DATE 8-30-02
		PAGE No. BF-26