

SYSTEMATIX

Ergonomic Products For Today's Workplace



5953 Commerce Road
Milton, Florida 32583
t. 800 366 7873 f. 850 983 1775
e. info@systematix.org w. www.systematix.org

November, 2016



Table of Contents

2. Standard Flat Screen Monitor Arms

- [7905](#) Budget Monitor Arm
- [7915](#) Single Monitor Arm
- [7920](#) Dual Monitor Arm

3. Pneumatically Assisted Monitor Arms

- [1INF](#) Single Arm
- [2INF](#) Dual Monitor Pneumatic-Assist Monitor Arm

4. Deluxe Flat Screen Monitor Arm

- [7915H](#) Single Monitor Arm
- [7920H](#) Dual Monitor Arm

5. Multiple Flat Screen Monitor Arm

- [7935](#) Triple Monitor Arm
- [7980](#) Octo Monitor Arm

6. Specialty Arms

- [7915i](#) Tablet Arm
- [7915LT](#) Laptop Arm

7. Health Care Products

- [DWMA](#) Deluxe Wall Mount Workstation
- [MLC](#) Mobile Laptop Cart
- [WMLA](#) Wall Mount Laptop Arm

8. LED Task Lighting

- [LEDT](#) Deluxe LED Task Light
- [LEDE](#) Economy Task Light

9. Deluxe Task Lighting

- [D/ST](#) Series Phosphorescent Task Light

10. Desktop Sit/Stand Workstation

- [VOLANTE](#)

11. Deluxe Keyboard Platforms

- [PSCPLFE21T](#) Dual Swing Out Curved Platform
- [DPPLFE21T](#) Diagonal Platform
- [PMNPLFE21T](#) Microsoft Natural™ Platform
- [PHPLFE21T](#) Swing-Out Mouse Tray Platform
- [PSPLFE21T](#) Slide-Through Mouse Tray Platform
- [PMOPLFE21T](#) Mouse-Over Keyboard Platform

12. Trackless Keyboard Tray & Arm

- [Strat-Plat](#) Stratosphere Trackless Platform

13. Budget Keyboard Solutions

- [EKBC](#) Economy Keyboard/Mouse Tray Combo
- [KBD](#) 20" Keyboard Drawer
- [KBD25](#) 25" Keyboard Drawer
- [KBDSTM](#) Keyboard Drawer w/ Slide-through Mouse Tray

14. Accessories – CPU Solutions

- [DCPUR](#) CPU Bracket
- [CPUR-S](#) CPU Strap
- [DCPUC](#) CPU Cart

15. Accessories – Miscellaneous

- [PD](#) Pencil Drawer
- [LLDM](#) Locking Laptop Drawer w/ Mouse Tray
- [LLD](#) Locking Laptop Drawer
- [FRK3500](#) 3" Footrest
- [FRK4500](#) 6" Footrest

16. Complete Sit-Stand Workstation

- [DMCA-F](#) Freestanding Sit-Stand Combo
- [DMCA-G](#) Grommet Mount Sit-Stand Combo

17. Altissimo—Deluxe Sit-Stand Workstation

- [Altissimo](#)

18. Stratosphere—Adjustable Height Bases

- [Strat-2](#) Two Legged Electric Table Base
- [Strat-3](#) Three Legged Electric Table Base

Back Cover - About Systematix

Helpful Links

- [Workplace Ergonomics Guide](#)
- [Computer Workstation Guide](#)
- [Microsoft Healthy Computer Guide](#)
- [Apple Ergonomics Guide](#)
- [OSHA Ergonomic Solutions](#)

Standard Flat Screen Monitor Arms

7905 Budget Arm



- Patented Quick Connect allows fast, simple assembly
- The arm swivels 360° around the base, increasing the options for display position
- Desk clamp and grommet mount hardware are included to minimize SKUs
- Clamp and grommet adjustable to fit most desks and work surfaces
- Monitor mounting bracket contains both 75mm and 100mm hole patterns to comply with VESA standards
- Pole allows manual height adjustment through a 13" range
- 180 degree tilt, 180 degree side-to-side, and 360 degree landscape-to-portrait movement
- A choice of finishes - Silver or Black
- Cable management system

Suggested List Price \$225

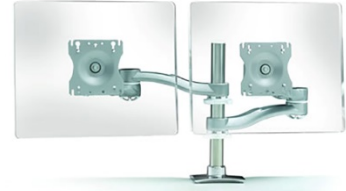
7915 Single Arm



- Patented Quick Connect allows fast, simple assembly
- 20" of back and forth movement
- The arm swivels 360° around the base, increasing the options for display position
- Desk clamp and grommet mount hardware are included to minimize SKUs
- Clamp and grommet adjustable to fit most desks and work surfaces
- Monitor mounting bracket contains both 75mm and 100mm hole patterns to comply with VESA standards
- Pole allows manual height adjustment through a 13" range
- 180 degree tilt, 180 degree side-to-side, and 360 degree landscape-to-portrait movement
- A choice of finishes - Silver or Black
- Cable management system

Suggested List Price \$360

7920 Dual Arm



- Patented Quick Connect allows fast, simple assembly
- 20" of back and forth movement
- The arm swivels 360° around the base, increasing the options for display position
- Desk clamp and grommet mount hardware are included to minimize SKUs
- Clamp and grommet adjustable to fit most desks and work surfaces
- Monitor mounting bracket contains both 75mm and 100mm hole patterns to comply with VESA standards
- Pole allows manual height adjustment through a 13" range
- 180 degree tilt, 180 degree side-to-side, and 360 degree landscape-to-portrait movement
- A choice of finishes - Silver or Black
- Cable management system

Suggested List Price \$560



Infinity Pneumatically Assisted Monitor Arms

Model 1INF, 2INF



Cable Management Weight Gauge Height Adjustable

- Comes with clamp and grommet mount, ideal for all desk mounting configurations, minimizing SKU's
- Adjustable counterbalance cylinder provides smooth 14 1/2" of height adjustment with fingertip control
- Infinity-1-L series counterbalances monitors from 5 lbs. to 20 lbs., 1-H series counterbalances monitors from 10 lbs. to 30 lbs.
- Double extension arms provide a maximum of 26 3/4" extension from the rear edge of the mounting surface to the VESA Plate for greater monitor adjustment on deep or corner workstations
- Arms fold back to a minimum dimension of 4 1/2" (1INF) and 8 3/8" (2INF) to provide maximum desk utilization
- Monitor mounting bracket contains both 75mm and 100mm hole patterns to comply with VESA standards
- Patented Quick Connect allows fast, simple assembly
- Weight gauge provided to allow for quick and easy counterbalance adjustment of the arm prior to installing the screen.
- VESA Plate rotates for portrait or landscape viewing with 180° side to side rotation and -90° to +45° tilt for optimal viewing adjustment
- Die cast aluminum construction provides greater stability and contains high recycled material content with full recyclability
- Adjustable rotation limiter to restrict arm rotation to 180°, preventing arms from hitting walls
- Multiple color choices include Silver, Black and White to match any furniture or décor

Dual Arm 2INF

- Counterbalances monitors with a combined weight from 15 to 40 lbs
- Support beam holds dual 23" monitors at a 25° booking angle for improved ergonomic viewing comfort
- Weight gauge provided to allow for quick and easy counterbalance adjustment of the arm prior to installing the screen. Saves time and guesswork especially for multiple arm installations

List Price

1INF (Single Screen) - List 346

2INF (Dual Screen) - List \$415

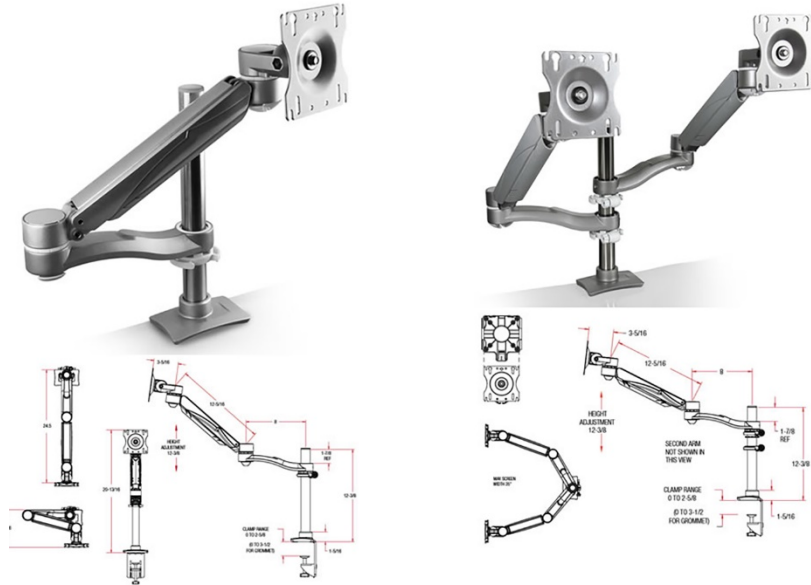
5953 Commerce Road, Milton Florida 32583 t. 800 366 7873 f. 850 983 1775 e. info@systematix.org

www.systematix.org



Deluxe Flat Screen Monitor Arms

Model 7915H, 7920H



- Patented Quick Connect allows fast, simple assembly
- 24" of back and forth movement
- 24" of height adjustment for sit to stand applications
- The arm swivels 360° around the base, increasing the options for display position
- Desk clamp and grommet mount hardware are included to minimize SKUs
- Clamp and grommet adjustable to fit most desks and work surfaces
- Monitor mounting bracket contains both 75mm and 100mm hole patterns to comply with VESA standards
- 180° tilt, 180° side-to-side, and 360° landscape-to-portrait movement
- A choice of finishes - Silver or Black
- Cable management system

List Price

- **#7915H Single Monitor Arm - \$432**
- **#7920H Dual Monitor Arm - \$688**

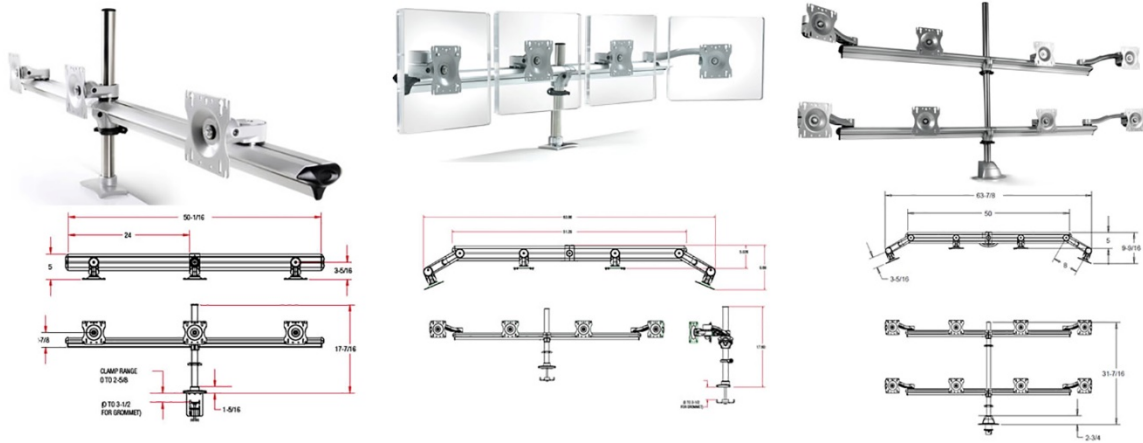
5953 Commerce Road, Milton Florida 32583 t. 800 366 7873 f. 850 983 1775 e. info@systematix.org

www.systematix.org



Multiple Screen Monitor Arms Model 7935, 7940 & 7980

Parabolic Triple, Quad or Octo-Screen, Beam Mount Monitor Arms



- Patented Quick Connect allows fast, simple assembly
- Width adjustment for various size monitors with individual tilt and pivot capability
- Desk clamp and grommet mount hardware are included to minimize SKUs
- Clamp and grommet adjustable to fit most desks and work surfaces
- Monitor mounting bracket contains both 75mm and 100mm hole patterns to comply with VESA standards
- Pole allows manual height adjustment through a 13" range (7935)
- Width adjustment for various size monitors with individual tilt and pivot capability (7940, 7980)
- A choice of finishes - Silver or Black
- Cable management system

List Price

- **#7935 Triple Monitor Arm - \$496**
- **#7940 Quad Monitor Arm - \$680**
- **#7980 Octo Monitor Arm - \$1,308**

5953 Commerce Road, Milton Florida 32583 t. 800 366 7873 f. 850 983 1775 e. info@systematix.org

www.systematix.org

Specialty Arms

7915i Tablet Arm



- Adjustable iPad Holder that supports all iPad models
- Holds iPad upright in landscape or portrait views
- 24" of back and forth movement
- Clamp and grommet adjustable to fit most desks and work surfaces
- Stable steel cradle design
- Non-slip cushioned cradle holds the iPad firmly in place
- Cradle uses a cut-out style to accommodate cables
- Mounting hardware included

Suggested List Price \$386

7915LH Laptop Arm



- Adjustable laptop holder for any size laptop
- 24" of back and forth movement
- 24" of height adjustment for sit to stand applications
- The arm swivels 360° around the base, increasing the options for display position
- Desk clamp and grommet mount hardware are included to minimize SKUs
- Clamp and grommet adjustable to fit most desks and work surfaces

Suggested List Price \$392

Health Care Products

DWMA

Deluxe Wall Mount Workstation



- Aesthetically pleasing design, quality controlled and hand assembled
- Double extension arms allow for 24" of back and forth movement
- Spring assisted height adjustment on keyboard tray and monitor arm allow for free floating vertical movement through a 12 3/8" range
- Perfect for moving between sitting and standing positions
- Each head is independently adjustable, offering 180 degree of tilt, 180 degree of side-to-side movement and 360 degree of landscape-to-portrait rotation
- Easy installation

Suggested List Price \$1,480

MLC

Mobile Laptop Cart



- Retractable keyboard sliding tray as well as a left or right hand mouse tray
- Sit to stand height adjustment (33.5" to 45") with small, stable footprint
- 20"x10" work surface
- 2 locking casters
- Antimicrobial surfaces
- Security lock
- Lithium battery compartment
- Optional wire basket for patient documentation
- Small footprint and easy to use
- Color silver

Suggested List Price \$2,100

WMLA

Wall Mount Laptop Arm



- Single handed counter balance adjustments
- Optimizing workflow efficiencies while sitting or standing
- Tray flips up and arms fully retract when not in use for minimal storage
- Easy, effortless installation
- Quick connect locking bars allows for seamless and secure integration of laptops and notebooks
- 32" track allows for direct-to-drywall applications optimizing locations with limited real estate
- Anti-microbial agents incorporated into all contact surfaces
- Manufactured of steel, aluminum and high density polyethylene materials supporting long term use
- A choice of finishes - Silver or Black
- Cable management system

Suggested List Price \$2,160

Energy Saving LEDs While high quality LED lighting costs a little more, the total cost of operating and maintaining an LED lighting system is considerably less than comparable incandescent or fluorescent solutions. This is due to their long life expectancy (several times that of incandescent, and almost twice as long as fluorescent), and because LEDs consume far less energy. Annual power costs can be reduced by up to 80%. Returns on LED lighting investments are often realized in fewer than three years.

Deluxe LED



- 12' cord, 60 watt power supply for 31", 44" and 58" models, 15 watts for 17" model.
- Single touch on/off switch with 15%-100% continuous dimming with last state memory.
- Screw and magnetic mounting with adhesive cord managers
- Auto turn off after 10 hours of use.
- High quality, long lasting LED luminaires rated at 50,000 hrs.
- 3500k color "temperature" in the optimum neutral range for office work.
- Clear anodized aluminum housing with white end caps
- Optional: Daisy Chain connections, link 2 to 5 lights to 1 switch. Call for more information.
- Optional: Occupancy Sensor for maximum energy efficiency. Call for more information.

List Price

- LEDT17 - for 24-36" shelves, List \$238
- LEDT31 - for 42-48" shelves, List \$364
- LEDT44 - for 54-60" shelves, List \$466
- LEDT58 - for 72"+ shelves, List \$503

Economy LED



- End-End interconnect (push together)
- Single Touch On/Off
- High quality LED fixture
- Four lengths to choose from 12", 22", 32" and 42"
- LED rated lifespan of 50,000 hours
- Color temperature 3500K
- Silver color finish
- 18 watt wall transformer with 9' black cord
- Magnetic & screw mounts included with 2 cord managers

List Price

- LEDE12 - For 24" Shelves List \$144
- LEDE22 - For 30" - 36" Shelves List \$188
- LEDE32 - For 42" - 48" Shelves List \$233
- LEDE42 - For 54" - 60" Shelves List \$282

Deluxe Task Light



- T8 Tri-phosphor lamps 3500K
- Normal power electronic ballast
- 9' black cord
- Prismatic acrylic lens
- High gloss UV reflector
- Standard color black
- Custom colors available
- Hardware included
- Other options include daisy chaining, field interchangeable cords and hardwiring
- ETL, TAA and BAA certified

List Price

- **DST-18 - For 24" Shelves List \$154**
- **DST-24 - For 30"-36" Shelves List \$160**
- **DST-36 - For 42"-48" Shelves List \$170**
- **DST-48 - For 54"-60" Shelves List \$196**



DeskTop Sit-Stand Workstation **Volante**



Front view - low

Side view - high

Side view - low

Product Details

- Ships fully assembled
- Compact footprint allowing it to fit onto a 24" deep desk
- Gas assisted height adjustment provides smooth, quiet and infinite height adjustment
- Primary work surface can be extended 20" above the desk
- Large useable primary work surface accommodates 2 x 24" monitors, monitor arms, an Apple iMac or laptop with monitor
- 20° of keyboard surface tilt allows the user to infinitely adjust the keyboard surface tilt from -10°/+10°
- Keyboard surface adjusts with the primary work surface for Improved ergonomics
- Primary work surface grommet allows for cable management and attachment of a monitor arm
- Supports up to 35 lbs.. Strong enough to support users technology requirements
- Weighs 40 lbs. Light enough for simple installation and moving from desk-to-desk
- See the [Video](#) at www.systematix.org

Pricing

Volante List \$650

5953 Commerce Road, Milton Florida 32583 t. 800 366 7873 f. 850 983 1775 e. info@systematix.org
www.systematix.org



Deluxe Keyboard Platforms

Designed to improve Worker Efficiency, Comfort and Health in Office Workstations!



- Ultra soft co-polymer gel wrist rest with breathable Lycra™ fabric included
- Lever Free arm extends +3" to -7¾" from top of track
- Patented Spring Assist Lift-N-Lock™ counter balancing system
- Soft touch knob for +/-15° tilt adjustment
- 7½" Neck with 21" glide storage track for deep workstations and corner applications
- Top Left: PSCPLFE21T Slimline Dual Swing Out Curved Platform, List Price \$378
- Top Center: DPPLFE21T Slimline Diagonal Platform, List Price \$378
- Top Right: PMNPLFE21T Microsoft Natural™ Platform, List Price \$374
- Bottom Left: PHPLFE21T Slimline Swing Out Mouse Tray Platform, List Price \$374
- Bottom Center: PSPLFE21T Slimline Slide Through Mouse Tray Platform, List Price \$354
- Bottom Right: PMOPLFE21T Mouse-Over Keyboard Platform, List Price \$432
- Specify "17T" in place of "21T" for 5½" neck with 17" glide storage track for shallower workstations
- All models available in "Sit to Stand" versions

5953 Commerce Road, Milton Florida 32583 t. 800 366 7873 f. 850 983 1775 e. info@systematix.org

www.systematix.org



Trackless Keyboard Tray and Arm Designed for Adjustable Height and Shallow Depth Workstations



Product Details

- 19.4" X 9.4" white phenolic keyboard tray with 9" swivel mousing surface
- Anti-slip pads prevent keyboard movement when typing
- Gel-feel palm rest
- Lever free (Lift-N-Lock) white mechanism with tilt and height indicators
- +10° to -15° tilt angles, 360° of swivel
- Full storage in 9 3/8" undersurface space
- Exceeds HFES & BIFMA 5th percentile seated keyboarding heights (HFES 22" BIFMA 22.6")
- The Strat Plat provides a stylish decorative finish to enhance any modern office

Pricing

Strat-Plat - List \$408

Budget Keyboard Solutions

EKBC

Economy Keyboard Combo



- Each tray is constructed from a solid MDF core (3/8" thick) covered in a 3 dimensional laminate vinyl sealed over the surface
- Economy Keyboard Arm with 17 3/4" glide track
- Spring-assisted arm, single knob controls both height and tilt adjustments
- A comfortable, molded foam wrist rest covered in a durable poly-suede fabric
- Overall tray dimensions: 18 1/2"w x 9 3/8"d
- 9" diameter swivel mouse tray can be attached to either front corner of keyboard tray
- Swivel mouse tray incorporates a molded edge guard
- A 17 7/8"w x 2"d foam wrist pad covered in a poly-suede material

Suggested List Price \$290

KBD25, KBD

Keyboard Drawer System



- Durable 3/8" thick composite phenolic laminate keyboard tray
- 14" steel drawer slides with metal ball bearings
- Lock-out feature on drawer slides ensures tray will not retract back under the work surface until pushed back in
- A comfortable and hygienic foam wrist rest covered in a soft and durable vinyl fabric
- Drawer system installs easily to underside of work surface using adjustable, L-shaped mounting brackets
- Overall dimensions: 28"w x 14"d (KBD25)
- Overall dimensions: 23"w x 14"d (KBD)
- Keyboard tray dimensions: 25"w x 10"d (KBD25)
- Keyboard tray dimensions: 20"w x 10"d (KBD)
- Edge guard material on either back corner keeps the mouse on the tray
- Drawer slides load rating is 59 1/2 lbs

Suggested List Price

- KBD25 - \$177
- KBD (not shown) - \$126

KBDSTM

Keyboard Drawer with Slide-Through Mouse Tray

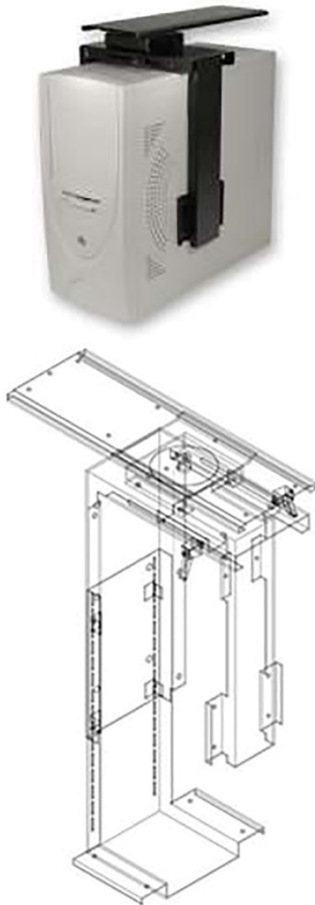


- Durable 3/8" thick composite phenolic laminate keyboard tray. Mouse tray is 1/2" thick
- 14" steel drawer slides with metal ball bearings
- Lock-out feature on drawer slides ensures tray will not retract back under the work surface until pushed back in
- A comfortable and hygienic foam wrist rest covered in a soft and durable vinyl fabric
- Drawer system installs easily to underside of work surface using adjustable, L-shaped mounting brackets
- Overall dimensions: 23"w x 14"d (when mouse tray is fully retracted under the keyboard tray)
- Keyboard tray dimensions: 20"w x 10"d
- Slide-out mouse tray extends up to 6 3/4" to either side from attachment underneath keyboard tray
- Complete with mouse pad and edge guard material on back edge
- Drawer slides load rating is 59 1/2 lbs

Suggested List Price \$180

Accessories – CPU Solutions

DCPUR



- All metal construction
- 360 degree swivel
- Retracts on a 18" track
- Width adjustment of 3¼" - 8" for standard or thin profile CPU's
- No tools needed for adjustment

Suggested List Price \$186

CPUR-S



- CPU retracts on a 17" track and swivels to allow full accessibility and easy storage
- Accommodates CPU's weighing up to 75 lbs and measuring 64" in perimeter
- Installation is quick and easy as straps adjust and fasten with buckles
- Retracts on 17" Teflon glide track
- Soft touch Anti-slip pads protect the CPU

Suggested List Price \$134

DCPUC



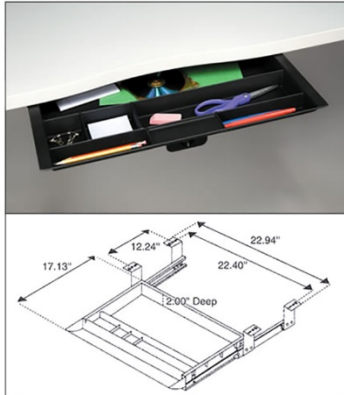
- Easy assembly
- CPU cart comes with 4 casters, 2 with brakes
- Adjustable for 3"-9¾" CPUs

Suggested List Price \$116

Accessories

PD

Pencil Drawer



- Durable black polymer construction
- Ball bearing slides
- Low profile
- Deep pockets for maximum storage
- Dimensions: 20½" w X 19¼" d

Suggested List Price \$75

LLDM, LLD

Locking Laptop Drawer



- Metal framed drawer tray exposes 19" d of drawer surface; accommodating most any size laptop
- Includes swivel mouse tray for separate mouse operation (LLDM only)
- Two keys included
- Security screws provided for tamper-proof installation to work surface
- Locking mechanism mounts on either the right or left side in an easy to reach but out of sight location
- Ball bearing suspension, 16" full extension drawer slides for smooth rolling action
- Spacious cord management for easy access for external peripherals
- Black vinyl wrist pad permanently affixed to front edge of tray
- Overall dimensions: 24¾" W x 21.125" D x 3¼" H
- Inside tray dimensions: 21½" W x 19" D x 2¾" H
- Drawer slide depth (from bottom of work surface to bottom of drawer: 3.125")

Suggested List Price

- \$284 - LLD
- \$304 - LLDM

FRK3500, FRK4500

Footrests



- Corrugated rubber rockers, allows for soothing motion
- Secure positioning of desired footrest angle
- Footrest platform constructed of sturdy MDF covered with durable black vinyl
- Channels provide ventilated, slip-resistant surface
- Platform measures 17.5" wide by 11.5" deep
- Choose from 3" (FRK3500) or 6" (FRK4500) high rockers

Suggested List Price

- \$121 - FRK3500
- \$146 - FRK4500



Complete Sit-Stand Workstation

DMCA

Deluxe Sit-Stand Combo



Product Details

- The max monitor width 25", not to exceed 24 lbs.
- Comes standard to support a single monitor with a dual monitor adapter option
- Easy no hassle installation
- Two mounting options to choose from: grommet or freestanding
- Grommet mount securely clamps to work surfaces from 3/4" to 1-1/2" thick
- Grommet mount features 15° negative and positive tilt adjustment single soft-touch knob control with range of motion from -2½" to 17"
- Freestanding mount range of motion from 1½" to 21"
- Monitor tilts and can be installed at various heights independent of keyboard tray
- Optional Tablet Mate/writing surface, Pan/tilt monitor adapters and dual monitor adapters available
- One touch release button for height adjustment with infinite locking height positions
- Non-marring non-skid work surface protection
- Three color options: Gloss black, gray and white

DMCA-G: Single Screen GrommetMount, List \$948

DMCA-F: Single Screen Freestanding Base, List \$850

Options:

- Dual Monitor Adapter: \$65
- Clamp Table Mate/Writing Surface: \$98
- Tilt/Pan monitor adapter \$48

5953 Commerce Road, Milton Florida 32583 t. 800 366 7873 f. 850 983 1775 e. info@systematix.org

www.systematix.org



Complete Sit-Stand Workstation **Altissimo**



Product Details

- 22" of gas assisted positioning, the Altissimo moves easily and effortlessly from seated to standing positions
- Cleverly mounts at the rear of the work surface for added desk space
- Comes with 9.5" of counter balanced height adjustment, 45° of tilt, and 90° of portrait to landscape rotation
- The Altissimo accommodates installed technology ranging from 5 to 25 lbs
- Dual monitor version supports most 24" monitors weighing 8 lbs each
- Standard grommet and clamp mounting supplied
- Dual tray system offers a spacious keyboard and mouse platform with adjustable tilt
- Secondary surface for placing items which need to remain close at hand
- Single and dual monitor versions
- Available in Black, Silver or White
- See the [Video](#) at www.systematix.org

List Price

Altissimo-S (Single Screen) List \$1,092

Altissimo-D (Dual Screen) List \$1,197

5953 Commerce Road, Milton Florida 32583 t. 800 366 7873 f. 850 983 1775 e. info@systematix.org

www.systematix.org



Stratosphere Height Adjustable Table Bases

Model Strat-2

Model Strat-3



- 26" height adjustment range, from 24½" to 50½".
- Four memory/six button programmable switch and controls
- Low 58 dB noise level
- A standard 'C' leg configuration increases under table space
- 2 table motors only use a combined 0.06W of standby power when not in use
- Every Stratosphere kit is shipped flat packed and is expandable with hinged legs that snap into position for quick, easy assembly
- The table frame kits can easily be adjusted to fit different table top widths (46"-90")
- Exceeding most industry standards, the table frame has been designed and tested to support up to 264 lbs
- To improve end user safety the leg motors have Anti-Collision protection
- 24" deep or 30" deep foot
- Black or silver color options
- The Stratosphere has been designed to provide a contemporary modern design feel to any office environment
- 5 Year Mechanical and 2 Year Electrical Warranty
- Bases Only
- UL, CSA and CE Certified

List Price

Strat-2 (2 legged electric base) \$1,112

List Price

Strat-3 (3-legged electric base) \$1,605

5953 Commerce Road, Milton Florida 32583 t. 800 366 7873 f. 850 983 1775 e. info@systematix.org

www.systematix.org



Proudly providing ergonomic office products for over 25 years

Systematix is a family owned and operated company located along the Gulf Coast of Florida. Dr. Christopher Hogan, a Chiropractor since 2000, took over the company in 2004 from his father James Hogan.

With his background in treating musculoskeletal conditions, Dr. Hogan truly understands how repetitive stress injuries, secondary to poor posture and improper ergonomics can lead to serious health issues. With this in mind every product offered by Systematix is hand selected to give maximum ergonomic benefits to the end user.



Over the years we have worked with 1,000's of dealerships. It is our office standard to go above and beyond. Our vast network of dealerships are knowledgeable in all aspects of our product line with an emphasis on proper ergonomics to help make your work environment more comfortable and beautiful! All of our products are made in the USA, ship quickly and come with a Lifetime warranty.

Helpful Links:

[Workplace Ergonomics Guide](http://www.systematix.org/_docs/CAP_Ergo_Guide.pdf)

www.systematix.org/_docs/CAP_Ergo_Guide.pdf

[Computer Workstation Guide](http://www.systematix.org/_docs/Computer_Workstation_Guide.pdf)

www.systematix.org/_docs/Computer_Workstation_Guide.pdf

[Microsoft Healthy Computer Guide](http://www.microsoft.com/hardware/en-us/support/healthy-computing-guide) [Apple Ergonomics Guide](http://www.apple.com/about/ergonomics/) [OSHA Ergonomic Solutions](http://www.osha.gov/SLTC/etools/computerworkstations/index.html)

www.microsoft.com/hardware/en-us/support/healthy-computing-guide www.apple.com/about/ergonomics/ www.osha.gov/SLTC/etools/computerworkstations/index.html



TEL: (850) 983-2213 • (800) 366-7873

FAX: (850) 983-1775

EMAIL: INFO@SYSTEMATIX.ORG

WWW.SYSTEMATIX.ORG WWW.ERGOCHECK.COM

visit www.systematix.org for complete product details