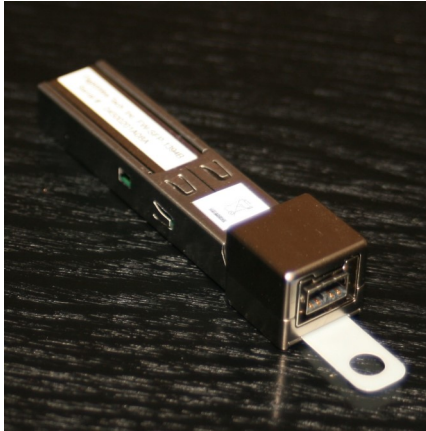




Moving Technology Forward ...

IEEE-1394 SFP (FireWire)



Introduction

FlightWire Technology, Inc. has worked with MRV to provide IEEE-1394-2008 Beta standard compliant copper and optical SFP devices that work seamlessly with the MRV 72 and 144 Media Cross Connect product.

Advantages

- Copper SFPs double the physical reach of IEEE-1394 (FireWire) networks when used in re-peater configuration.
- Works with the MCC (Media Cross Connect) to simplify remote network topology changes for test/simulation automation.
- Allows the use of mixed copper and fiber optic infrastructures when used as fiber-to-copper media converter.

Features

- Data rate support:
 - Copper: S100 β , S200 β , S400 β and S800 β
 - Fiber: S100 β , S200 β , S400 β , S800 β and S1600 β
- Full transparency to other network nodes
- Two media connection models
 - 9-pin (FW-SFP-1394B)
 - LC optical (FW-SFP-FO-1394B)
- IEEE-1394b (Beta) standard compliant
- MRV 72 and 144 Media Cross Connect and Fiber Driver Compatibility

FW-SFP-1394B and FW-SFP-FO-1394B Overview

The SFP-1394 transceivers work at the physical network layer using bit-for-bit operations. The SFP-1394 are logically transparent (they don't appear as nodes on the 1394 bus) to other network devices. When couple with the MRV Media Cross Connect system the SFP-1394 support range extension, topology changes, fiber-to-copper media conversion, and a full range of data rates (see Features section).

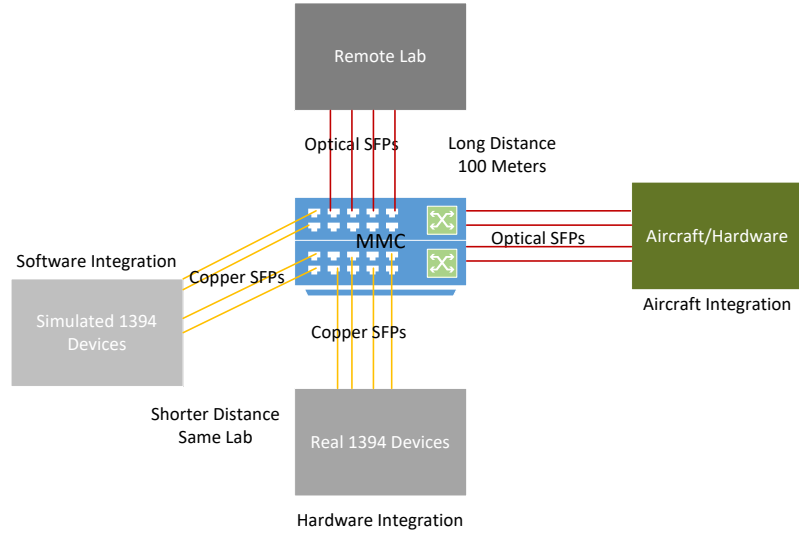
The FW-SFP-1394B copper transceivers provide IEEE-1394b (Beta) connectivity through a 9-pin Beta connector. The copper SFPs support S100 β , S200 β , S400 β and S800 β .

The FW-SFP-FO-1394B fiber optic transceivers provide IEEE-1394b (Beta) connective through an LC connector. The optical SFPs transmits up to 150 meters using a wavelength of 850 nanometers over 62.5-micron multi-mode optical fiber.



IEEE-1394 SFP (FireWire)

Using MRV software connect any device to any other device.



Example: range extension, automated topology change, fiber-to-copper media conversion.

Model	Data Rate	Connector	Temperature Range (°C)
FW-SFP-1394B	S100β—S800β	9-Pin Beta	-5 to 70

Model	Data Rate	Connector	Temperature Range (°C)	Wavelength	Range (Meters)
FW--SFP-FO-1394B	S100β—S1600β	LC	-5 to 70	850	150

Ordering Information

Part Number:

Copper: FW-SFP-1394B

Fiber Optic: FW-SFP-FO-1394B

Contact Information:

FlightWire Technology, Inc.
1920 Vindicator Dr., Suite 112
Colorado Springs, CO 80919

Phone: (719) 338-7451

Website: www.flightwiretech.com

Email: richard@flightwiretech.com