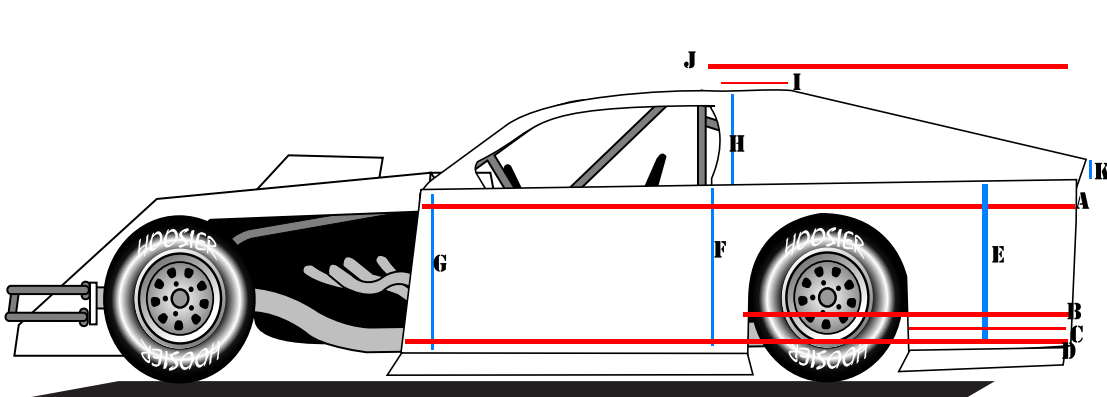


MODIFIED DIMENSION FORM



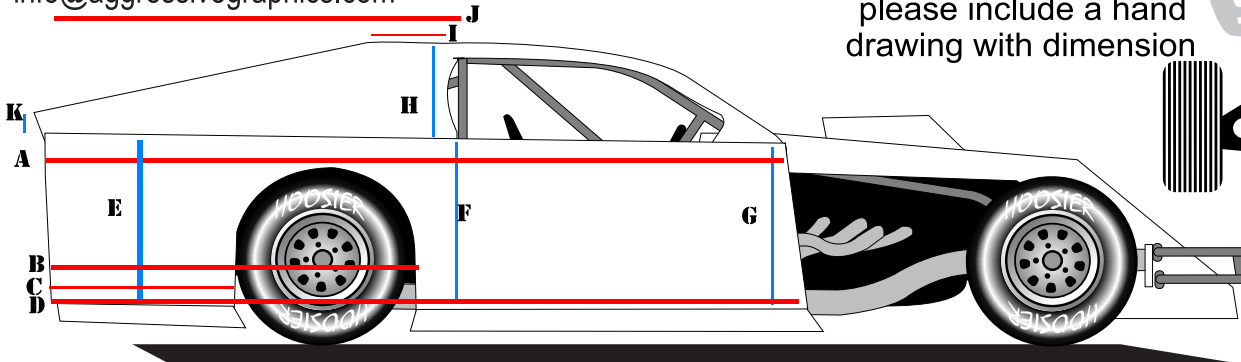
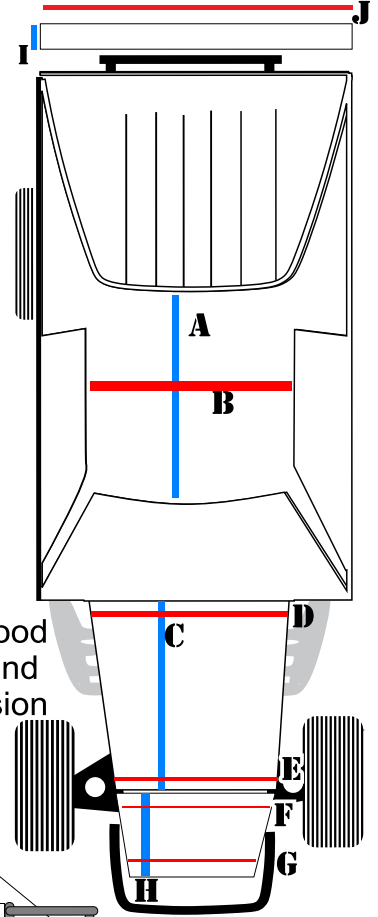
AGGRESSIVE
GRAPHICS.COM

618.410.0534

email:
info@aggressivegraphics.com

Start all horizontal measurements at the rear of the car. Do not include plastic skirting or the roll at the top of the door in vertical measurements.

If you have an offset hood please include a hand drawing with dimension



LEFT SIDE

TOP VIEW

A _____	J _____
B _____	K _____
C _____	
D _____	
E _____	
F _____	
G _____	
H _____	
I _____	

RIGHT SIDE

A _____	J _____
B _____	K _____
C _____	
D _____	
E _____	
F _____	
G _____	
H _____	
I _____	



A _____
B _____
C _____
D _____
E _____
F _____
G _____
H _____
I _____
J _____

AGGRESSIVE
GRAPHICS.COM

618.410.0534

NAME: _____

CAR#: _____