

TRU LAST POLY-GRATING

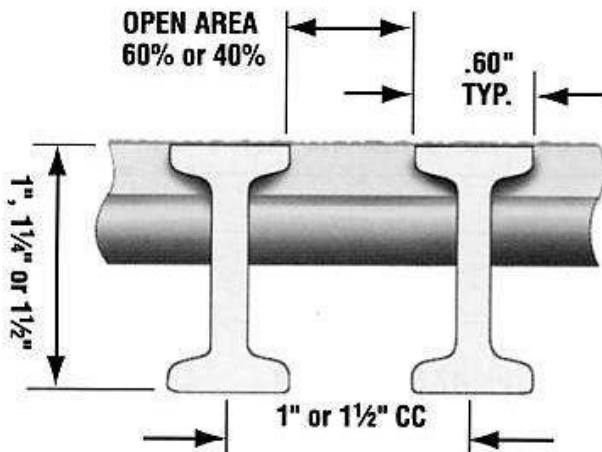
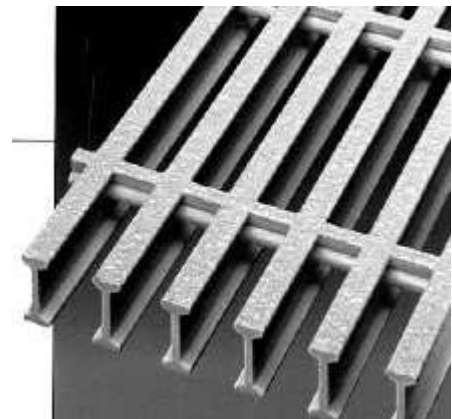
PULTRUDED I-BAR FIBERGLASS MATERIAL

DURABLE, EXTREMELY HIGH UNIDIRECTIONAL STRENGTH AND STIFFNESS

TRU LAST POLY-GRATING exceeds the requirements for grating used in Chemical, Water and Wastewater, Electronics, Food and Beverage, Pulp and Paper, Petroleum Processing and Marine applications.

BENEFITS

- Corrosion Resistant for Long Life
- Maintenance-free and Easy to fabricate
- Lightweight, Slip-resistant and Easy to install



APPLICATIONS

Assembly Lines
Platforms
Stair and Walkways

Catwalks
Ramps
Trench Covers

Pultruded I-Bar Grating Availability									
Height (in)	Surface Width	Open Space (in)	Open Area (%)	Load Bar Spacing CC	Std Width*	Std Length*	Lbs/ Sq. Ft.	I in ² /ft of width ^a	S in ² /ft of width ^a
1"	.60"	.9"	60%	1-1/2"	3', 4'	20', 24'	2.2 lbs.	.348	.696
1-1/4"	.60"	.9"	60%	1-1/2"	3', 4'	20', 24'	2.6 lbs.	.578	.928
1-1/2"	.60"	.9"	60%	1-1/2"	3', 4'	20', 24'	2.8 lbs.	1.000	1.333
1"	.60"	.4"	40%	1"	3', 4'	20', 24'	3.3 lbs.	.522	1.044
1-1/4"	.60"	.4"	40%	1"	3', 4'	20', 24'	4.0 lbs.	.868	1.388
1-1/2"	.60"	.4"	40%	1"	3', 4'	20', 24'	4.2 lbs.	1.500	2.000