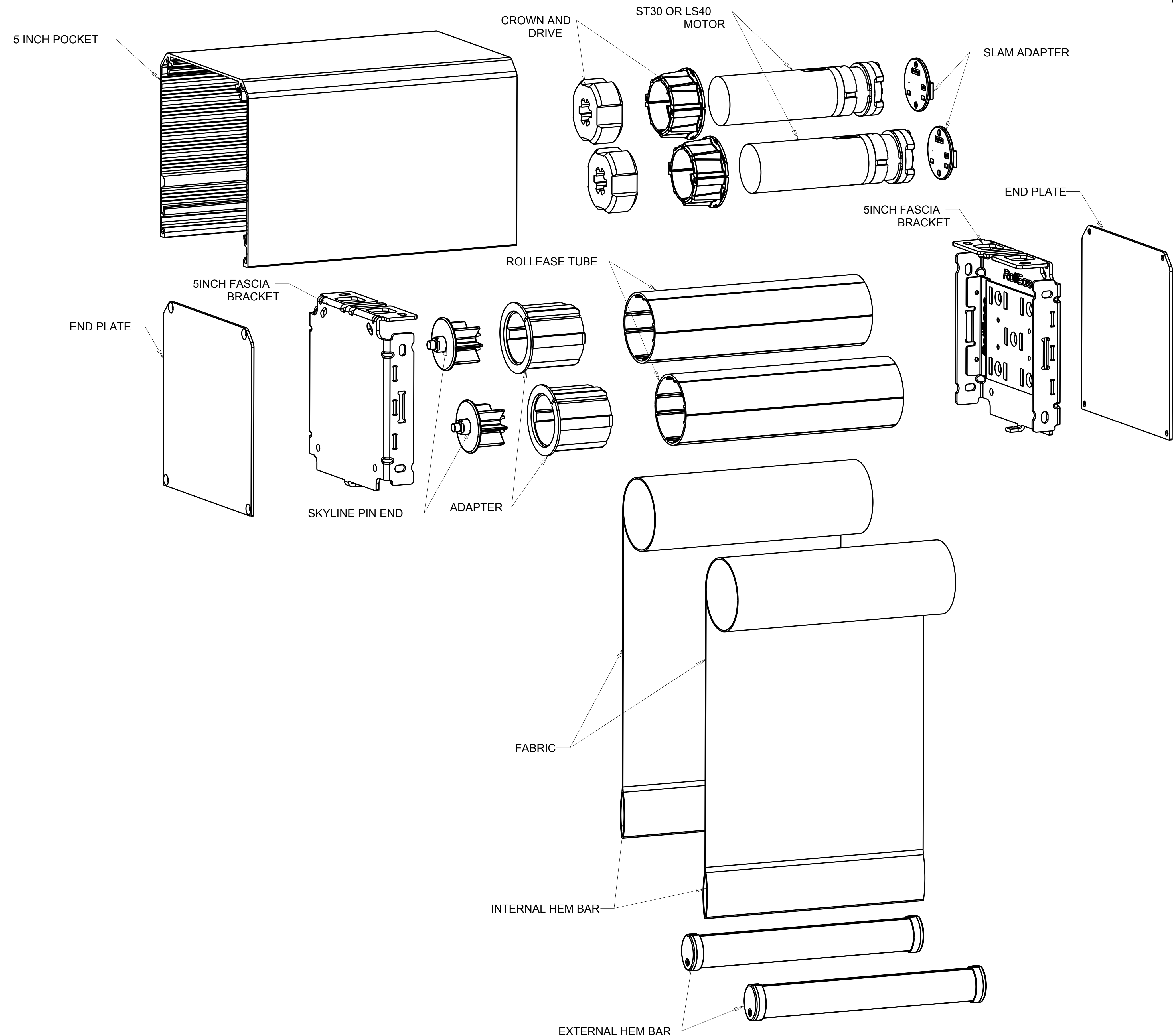


REVISION RECORD				
SYM	DESCRIPTION	BY	DATE	CHK



<small>THIS INFORMATION IS CONFIDENTIAL AND PROPRIETARY TO ROLLEASE, INC. THE PROSESSOR AGREES TO MAINTAIN THIS INFORMATION AS CONFIDENTIAL, NOT REPRODUCE OR DISSEMINATE IN WHOLE OR IN PART TO ANY THIRD PARTY.</small>	INCHES	<b>RollEase</b> Window Covering Systems		
	TOLERANCES			
	X.XX ± 0.015 X.XXX ± 0.005 ANG ± 1°	<small>DESIGNED BY</small> <b>JSG</b>	<small>TITLE</small> <b>DUAL 5 INCH POCKET</b>	<small>SCALE</small> <b>1.3</b>
	<small>DATE</small> <b>24 JUL 14</b>	<small>SIZE</small> <b>D</b>	<small>SCALE</small> <b>1/1</b>	<small>ENGINEERING NUMBER</small> <b>A2240</b>