



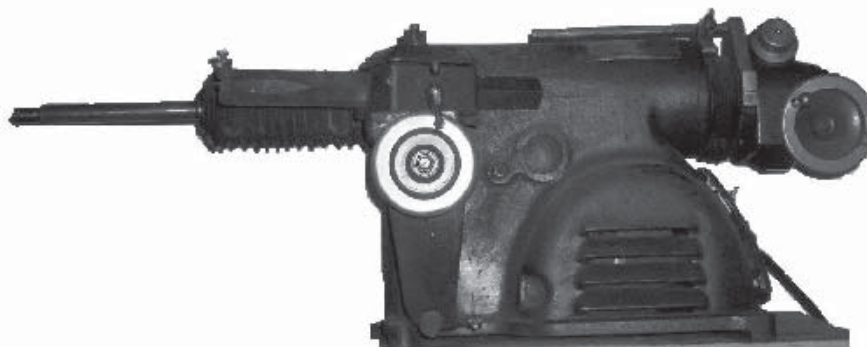
Brake Lathe Parts & Accessories

S V I International, Inc - Brake Lathe



Accu-Turn
All Tool
Ammco
FMC/John Bean
Hunter

Kwikway
Perfect Hoffman
RJ West
Performance
Rels
Van Norman



S V I International, Inc
• BALTIMORE • CHICAGO • LOS ANGELES
101 W Illinois Ave, Aurora, IL 60506

To order Call: (800) 321-8173 or Fax: (800) 899-1784

All names, numbers, symbols and descriptions are for reference purposes only, it is not implied that any part listed is the product of these manufacturers.



Brake Lathe Parts & Accessories

SVI International, Inc - Brake Lathe

ITEM	Page
Bits.....	2
Tool Holders.....	3-4
<i>Ammco Parts</i>	
1" Arbors, Adapters.....	7
1-7/8" Arbors, Adapters.....	8
11/16" Arbors, Adapters.....	9
2-1/2" Arbor Set.....	9
Boring Bars.....	9
Frictions Style Rotor Silencers.....	9
Safety Shields.....	9
Wrenches.....	10
Silencer Bands.....	10
Boots.....	10
Misc Parts.....	10
Accuturn.....	11
All Tool.....	12
FMC / John Bean.....	13
Hunter.....	14
Kwikway.....	15
Perfect Hofmann/RJ West.....	16
Performance.....	17
Rels.....	18
Van Norman.....	19

Ammco Breakdowns

Item	Page
<i>Model #'s 3000, 4000, 4100, 7500, 7700</i>	
Electrical Panel Assy.....	20
Main Frame Spindle.....	21
Drum Feed Gearbox.....	22
Motor Mount & Drive Shaft.....	23
Disc Brake Feed Mechanism.....	24
6950 Twin Cutter.....	25
7900 Twin Cutter.....	25
Cross Feed Assy.....	26
7500 Spindle.....	27

Model # 7000

Spindle.....	27
Cross Feed Control.....	28
Cross Feed Drive.....	29

Model #3850/3860

Drum & Disc Mainframe Assy.....	30
Lathe Assy.....	31
Drum Boring Bar Assy.....	31
Twin Cutter & Safety Shield.....	32
Crossfeed Assy.....	32-33

Model # 6000/6002

Drive Motor Bracket Assy.....	34
Spindle Housing Assy.....	34
Base & Bead Assy.....	35
Saddle Assy.....	36
Control Box Assy.....	37
Gear Box Assy.....	38
Limit Switch Assy.....	39
Dovetail Wipers & Covers.....	39



To order Call: (800) 321-8173 or Fax: (800) 899-1784

All names, numbers, symbols and descriptions are for reference purposes only, it is not implied that any part listed is the product of these manufacturers.



Brake Lathe Parts & Accessories

S V I International, Inc - Brake Lathe



SVI #	OEM #	OEM / Model #	Description
BL-30002	6914 45001 90817 221-617-2 3340 3354	Ammco 1000,2002,3000,4000,4100,7500,7700 Rels 2000 FMC/John Bean/Snap-On 505 on the car lathe Hunter Performance Performance	Negative Rake Bit
TO ORDER PACKS:	BL-30002-02 = 2 pack, BL-30002-06 = 6 pack, BL-30002-10 = 10 pack,		BL-30002-24 = 24 pack
BL-30016	45020 40410 90488, 90487 W139 8712	Rels, use in place of 6914, extra thick to last longer Ammco FMC/John Bean/Snap-On 600 & 700 series lathes Perfect Hoffman/RJ West Performance	Positive Rake, 1/8" thick Bit
BL-30003 TO ORDER PACKS:	6918 BL-30003-02 = 2 pack, BL-30003-06 = 6 pack, BL-30003-10 = 10 pack	Ammco 3850	Positive Rake Bit
BL-30004 BL-30004-02 BL-30004-06 BL-30004-10	7681	Ammco 4000,7000 2 PACK 6 PACK 10 PACK	Positive Rake Bit
BL-30000	5677	Ammco - use with 9695 tool holder	Hvy Duty Positive Rake
BL-65001	24176 92091	Rels 204 series FMC/John Bean/Snap-on 800 series Drums	Positive Rake Bit
BL-65000	29687 866564 302-07-167 92090	Rels 204 Series Van Norman Hunter FMC/John Bean/Snap-On 800 series Rotors	Positive Rake Bit
BL-30017	42365 (5 pk)	Rels 504 series, Kwikway 109-1092-23, Snapon BTK10A	Positive Rake Bit
BL-30005-10	45010 (10 pk) 109-6900-20 40610	Rels Kwikway Ammco	Round Tool Bit
BL-30006	45016 n/a 90327	Rels 2000, Rotor & Drum insert Ammco 4000,7000 FMC/John Bean/Snap-On 600 & 700 series lathes	Positive Rake Bit Positive Rake Bit
BL-30018	45021	Rels 2000 Rotor	Coated Positive Rake Bit
BL-30019	45022	Rels 2000 Rotor	Coated Negative Rake Bit
BL-30020 BL-30020-10 BL-30020-100	433795 (5 pk) 433796 433797	Accuturn 7700,8910,8911,8920,8922,8944,8989 same as above, but 10 pk same as above, but 100 bits	Positive Rake Bit
BL-30021 BL-30021-05	878051 878052	Accuturn 8750 & 8800 on car lathe same as above, but 5 pack	Positive Rake Bit
BL-30022	91212 (10 pk)	FMC/John Bean/Snap-On 505 car lathe	Positive Rake Carbide Bit
BL-30001	6499	Screw	

To order Call: (800) 321-8173 or Fax: (800) 899-1784

All names, numbers, symbols and descriptions are for reference purposes only, it is not implied that any part listed is the product of these manufacturers.



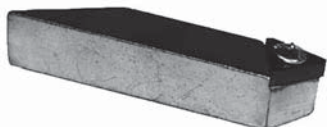


Brake Lathes

Accessories



SVI #	OEM #	OEM	Description
BL-10348	25761	Ammco	RH
BL-10336	25762	Ammco	LH
BL-30007	45009 109-6900-25 40608	Rels Kwikway Ammco	Pos Rake RH Tool holder
BL-30008	45008 109-6900-30 40609	Rels Kwikway Ammco	Pos Rake LH Tool holder
BL-30009	9872	Ammco	Holder - bits are replaceable
BL-30010	10701 5588 221-582-2 8588 45005	Ammco All Tool Hunter Performance Rels	Holder - bits are replaceable
BL-30011	10702 5586 221-581-2 8586 45006	Ammco All Tool Hunter Performance Rels	Holder - bits are replaceable
BL-30012	45003 10651	Rels Ammco	RH Tool Holder
BL-30013	45004 10650	Rels Ammco	LH Tool Holder
BL-30014	25969	Ammco	Holder - bits are replaceable
BL-30014	25969	Ammco	Holder - bits are replaceable
BL-30015	25968	Ammco	Holder - bits are replaceable
BL-30015	25968	Ammco	Holder - bits are replaceable
BL-30023	5390	Ammco	Holder - bits are replaceable
BL-30024	5392	Ammco	Holder - bits are replaceable
BL-30025	6999	Ammco	Holder - bits are replaceable
BL-30026	7692	Ammco	Holder - bits are replaceable
BL-30027	7999	Ammco	Holder - bits are replaceable
BL-30028	9695	Ammco	Holder - bits are replaceable, 5/8" shank



You asked for it.....

To order Call: (800) 321-8173 or Fax: (800) 899-1784

All names, numbers, symbols and descriptions are for reference purposes only, it is not implied that any part listed is the product of these manufacturers.

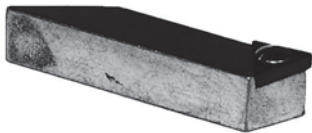


Brake Lathes

Accessories



SVI #	OEM #	OEM	Description
BL-30029	4114	Ammco	Holder with brazed-on bits
BL-30030	4118	Ammco	Holder with brazed-on bits
BL-30031	4724	Ammco	LH Holder with brazed-on bits
BL-30032	4725 8585	Ammco Performance	RH Holder with brazed-on bits
BL-30033	4726 4728	Ammco	LH Holder with brazed-on bits Holder with brazed-on bits
BL-30034	5720	Ammco	RH Hollder w/brazed on bit, 5/8" shank
BL-30035	5725	Ammco	R/LHollder w/brazed on bit, 5/8" shank
BL-30036	20407	Rels	Pos. Rake Drum Tool Holder
BL-30037	3836R	Rels	Pos Rake, RH Tool Holder
BL-30038	3836L	Rels	Pos Rake, LH Tool Holder
BL-30039	30407	Rels	Tool Holder
BL-30040	45011	Rels	Pos Rake RH Tool holder
BL-30041	45014	Rels	Pos Rake RH Tool holder
BL-30042	45015	Rels	Pos Rake LH Tool holder
BL-30043	45035	Rels	Std Pos Rake DRUM Tool holder
BL-30045	433763	AccuTurn	Pos Rake RH Tool holder
BL-30046	433764	AccuTurn	Pos Rake LH Tool holder
BL-30047	433779	AccuTurn	Short Pos Rake RH Tool holder
BL-30048	434286	AccuTurn	Zero Angle Pos Rake Tool holder
BL-30049	90490	John Bean	Pos Rake RH Tool Holder
BL-30050	90491	John Bean	Pos Rake LH Tool Holder
BL-30051	90494	John Bean	Pos Rake LH Tool Holder
BL-30052	90495	John Bean	Pos Rake RH Tool holder
BL-30053	45030 434056 90489R 8027164	Rels AccuTurn Ammco John Bean	Curved pos Rake RH Tool holder
BL-30054	45031 434057 90489L	Rels AccuTurn Ammco	Curved Pos Rake LH Tool holder



Brake Lathe Parts!

To order Call: (800) 321-8173 or Fax: (800) 899-1784

All names, numbers, symbols and descriptions are for reference purposes only, it is not implied that any part listed is the product of these manufacturers.



Brake Lathes

Accessories

Arbors, Adapters & more
for 1" bore

SVI #	OEM #	Description
BL-20084	9394	Light truck Adapter set (5 pcs)
BL-20051	9399	Light Truck Adapter set (4 pcs)
BL-20055	9499	Std Light Truck Adptr set (4 pcs)



SVI #	OEM #	Description	Fits Model #'s
BL-10357	1101	1" Arbor (100 lb capacity)	1000
BL-20103	2160	Ford Probe Adapter- use w/BL-20021 cone	
BL-20104	2168	Ramcharger Adapter	
BL-20105	2580	Mazda Adapter-mounts drums w/out center hole	2002,3000,4000,4100,7700
BL-20034	4790	Step Down Adapter-use w/1-7/8" adapters (set of 3)	
BL-20106	5795	1" splined Hub adapter set	
BL-20035	8800	Hubless Rotor Adapter Set. Use w/ BL-20035 or BL-20037	
BL-20036	8888	Clamping Plate Set (used w/ BL-20035)	
BL-20037	8889	Clamping Plate Set (used w/BL-20035)	
BL-20107	9263	1" Hubless Adapter 4.5" OD	
BL-20108	9265	1" Hubless Adapter 5.625" OD	
BL-20109	25811	Arbor Nut- use w/ BL-10357 arbor	1000



1" Adapter Sets

SVI #	OEM #	Description	Model #	Model #	Model #	Model #	Model #	Model #
			2002,4000 4100 #4347	3000,7700 7000 #4362	6000 6002 #4368	6000 6002 #5750	1000 #25841	3850 #29753
BL-10020	3101	Arbor (100 lb capacity) use BL-10021 nut	1	1	1			
BL-10021	3102	Arbor Nut - use w/BL-10020 arbor	1	1	1	1		1
BL-20000	3106	Centering Cone 3.421" x 4.031"	1	1	1	1	1	
BL-20001	3107	Centering Cone 2.89" x 3.5"	1	1	1	1	1	1
BL-20002	3108	Centering Cone 2.328" x 2.968"	1	1	1	1	1	1
BL-20003	3109	Hubless Adapter 5.65" OD	1	1		1	1	
BL-20004	3110	Centering Cone Spring	1	1	1	1	1	1
BL-20008	3123	Hubless Adapter 5.75" OD	1	1		1	1	
BL-20009	3125	1/2" Spacer	1	1	1		1	
BL-20010	3178	Centering Cone 2.65" x 3.224"	1	1	1		1	
BL-20019	3902	Centering Cone 1.25" x 1.75"	1	1	1			
BL-20020	3903	Centering Cone 1.187" x 2.25"	1	1	1			
BL-20021	3904	Centering Cone 1.703" x 2.75"	1	1	1	1	1	
BL-10358	4101	Arbor (100 lb capacity) use w/BL-10021						1
BL-20106	5795	Adapter Set - Splined Hub (pkg of 2)				1		
BL-20038	9192	Double Taper Adapter 1.711" x 2.073"	1	1	1	1	1	1
BL-20039	9193	Double Taper Adapter 2.074" x 2.44"	1	1	1	1	1	1
BL-20040	9194	Double Taper Adapter 2.441" x 2.897"	1	1	1	1	1	1
BL-20110	9437	Arbor (100 lb capacity)				1		
BL-20052	9489	Adapter - Hubless 3.625" OD	1		1		1	
BL-20053	9490	Adapter - Hubless 4.5" OD	2	1	2	1	1	
BL-20054	9492	Self aligning Spacer for ALL Ammc Lathes	1	1	1	1	1	1
BL-20057	9921	Double Taper Adapter 1.322" x 1.67"	1	1	1	1	1	1
BL-20082	9922	Double Taper Adapter 1.362" x 1.71"	1	1	1	1	1	1
BL-20022	4347	Adapter Set - see above						
BL-20111	4362	Adapter Set- see above						
BL-20112	4368	Adapter Set - see above						
BL-20113	5750	Adapter Set - see above						
BL-20114	25841	Adapter Set - see above						
BL-20115	29753	Adapter Set - see above						

To order Call: (800) 321-8173 or Fax: (800) 899-1784

All names, numbers, symbols and descriptions are for reference purposes only, it is not implied that any part listed is the product of these manufacturers.



Brake Lathes

Accessories



BL-20046
Hubless Auto & Lt Truck
Adapter Set



1" Adapter Sets			Hubless Auto & Lt Truck 9310	Hubless Auto 9311	Hubless Lt Truck 9312	Hubless Truck 9313	Hubless Odd Conf. Rotors 9314
SVI #	OEM #	Description					
BL-20060	29572	Hubless Rotor Hub base	1	1			1
BL-20061	29573	Reversible Centering Cone	1	1			1
BL-20062	29574	Arbor Spacer	2	2			3
BL-20063	29575	Auto Flange Plate	1	1			
BL-20064	29576	Large Lt. Truck Flange Plate				1	
BL-20065	29577	Large Lt Truck Flange Plate				1	
BL-20066	29578	Lt Truck Flange Plate	1		1		
BL-20067	29579	Automotive Centering Cone	1	1			
BL-20068	29580	Automotive Centering Cone	1	1			
BL-20069	29581	Automotive Centering Cone	1	1			
BL-20070	29582	Automotive Centering Cone	1	1			
BL-20071	29583	Automotive Centering Cone	1	1			
BL-20072	29584	Lt Truck Centering Cone	1		1		
BL-20073	29585	Lt Truck Centering Cone	1		1		
BL-20074	29586	Large Lt Truck Centering Cone				1	
BL-20075	29587	Large Lt Truck Centering Cone				1	
BL-20076	29588	Large Lt Truck Centering Cone				1	
BL-20077	29589	Large Lt Truck Centering Cone				1	
BL-20078	29590	Large Lt Truck Centering Cone				1	
BL-20079	29591	Centering Cone Spring	1	1		1	
BL-20046	9310	Adapter Set - see above					
BL-20047	9311	Adapter Set - see above					
BL-20048	9312	Adapter Set - see above					
BL-20049	9313	Adapter Set - see above					
BL-20050	9314	Adapter Set - see above					

1" Parts and Adapter Sets



BL-20045 set

SVI #	OEM #	Description	Fits Model #'
BL-20019	3902	Centering Cone 1.25" x 1.75"	2002,3000,4000,4100,7000,7700
BL-20020	3903	Centering Cone 1.18" x 2.25"	2002,3000,4000,4100,7000,7700
BL-20038	9192	Double Taper Adapter 1.711" x 2.073"	1000,2002,3000,4000,4100,7000,7700
BL-20039	9193	Double Taper Adapter 2.074" x 2.44"	1000,2002,3000,4000,4100,7000,7700
BL-20040	9194	Double Taper Adapter 2.441" x 2.897"	1000,2002,3000,4000,4100,7000,7700
BL-20041	9195	Double Taper Adapter 2.828" x 3.185"	Fits bearing race diameters from 2.828" to 3.560"
BL-20042	9196	Double Taper Adapter 3.203" x 3.56"	Fits bearing race diameters from 2.828" to 3.560"
BL-20057	9921	Double Taper Adapter 1.322" x 1.67"	1000,2002,3000,4000,4100,7000,7700
BL-20082	9922	Double Taper Adapter 1.362" x 1.71"	1000,2002,3000,4000,4100,7000,7700
BL-20045	9232	Adapter Set (1 ea of:9192,9193,9194,9921,9922)	1000,2002,3000,4000,4100,7000,7700
BL-20087	9233	Adapter Set (1 ea of 9195 & 9196)	Fits bearing race diameters from 2.828" to 3.560"
BL-20016	3900	Adapter Set (1 ea of 3902, 3903)	2002,3000,4000,4100,7000,7700



Centering Cone

To order Call: (800) 321-8173 or Fax: (800) 899-1784

All names, numbers, symbols and descriptions are for reference purposes only, it is not implied that any part listed is the product of these manufacturers.



Brake Lathes

Accessories

1-7/8" Arbor Sets

For : Truck Rotors & Drums up to 200 lbs

Arbors

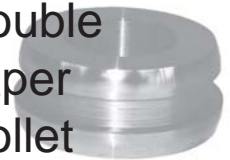
SVI #	OEM #	Description	Fits Model #
BL-20121	3198	Arbor -Truck	3000,4000,4100,7000,7700
BL-20122	3460	Arbor Nut .875" x 2.5"	3000,4000,4100,7000,7700
BL-20123	5722	Arbor Nut Wrench	3000,4000,4100,7000,7700
BL-20125	25844	Arbor Nut - use BL-20126 arbor	1000
BL-20126	25845	Arbor	1000
BL-20127	28574	Arbor - Truck	3850
BL-20128	1081	Arbor Set -	(3 pc set, BL-20123,20125,20126)
BL-20129	3481	Arbor Set -	(3 pc set, BL-20121,20122,20123)
BL-20130	3491	Arbor Set -	(3 pc set, BL-20122,20123,20127)
BL-20124	5748	Arbor - Truck	(Arbor, plus BL-20122)

Arbor Nuts

1-7/8" Adapter Sets

SVI #	OEM #	Description	4775	8994	8995	9234	9399	9499
BL-20011	3191	1" Spacer	1	1				
BL-20012	3192	2" Spacer	1	1				
BL-20013	3193	3" Spacer	5	5				
BL-20014	3194	Centering Cone 2.0" x 3.375"	1	1				
BL-20015	3577	Hubless Adapter 6.25" OD	2	2				2
BL-20016	3578	Hubless Adapter 7.813" OD					2	
BL-20017	3581	Hubless Adapter 9.625" OD	2		2			
BL-20018	3590	Spring for Centering Cone	1	1	1		1	1
BL-20023	4732	Centering Cone 4.656" x 5.25" 1-7/8"bore					1	
BL-20024	4776	Centering Cone 2.75" x 3.344"	1	1				
BL-20025	4777	Centering Cone 3.281" x 3.891"	1	1				
BL-20026	4778	Centering Cone 3.828" x 4.421"	2	2				1
BL-20027	4779	Centering Cone 4.359" x 4.968"	2	2				1
BL-20028	4781	Centering Cone 4.891" x 5.5"	2	2				
BL-20029	4782	Centering Cone 5.438" x 6.031"	2	2				
BL-20030	4783	Centering Cone 5.969" x 6.563"	1		1			
BL-20031	4784	Centering Cone 6.5" x 7.438"	1		1			
BL-20032	4785	Centering Cone 7.031" x 7.641"	1		1			
BL-20081	4786	Centering Cone 7.578" x 8.172"	1		1			
BL-20034	4790	Step down Adapter Set 1.875" to 1"						1
BL-20043	9197	Double Taper Adapter 2.828" x 3.185"				1		
BL-20044	9198	Double Taper Adapter 3.203" x 3.56"				1		
BL-20117	4775	Adapter set - Hubbed & Hubless (Use with BL-20128 arbor set, BL-20129 arbor set, BL-20124						
BL-20118	8994	Adapter set - Medium Duty (Use with BL-20128 arbor set, BL-20129 arbor set, BL-20124 arbor)						
BL-20119	8995	Adapter set - Heavy Duty (Use with BL-20128 arbor set, BL-20129 arbor set)						
BL-20120	9234	Adapter set - Double Taper (Use with BL-20128 arbor set, BL-20129 arbor set, BL-20124 arbor)						
BL-20051	9399	Adapter set - Ford Light Truck						
BL-20055	9499	Adapter set - Light Truck (Std with 4100 series)						

Double Taper Collet



To order Call: (800) 321-8173 or Fax: (800) 899-1784

All names, numbers, symbols and descriptions are for reference purposes only, it is not implied that any part listed is the product of these manufacturers.



Accessories

Brake Lathes

11/16" Arbors, Adapters, Nuts, Cones

SVI #	OEM #	Description	Fits Model #'s
BL-20005	3118	Centering Cone .75" x 1.375"	1000,2002,3000,3850,4000,4100,6000,7000,7700
BL-20006	3120	1" spacer	1000,2002,3000,3850,4000,4100,6000,7000,7700
BL-20007	3121	1/2" spacer	1000,2002,3000,3850,4000,4100,6000,7000,7700
BL-10099	3122	Arbor	2002,3000,4000,4100,7000,7700
BL-20131	5746	Arbor	6000
BL-20058	22138	Spherical washer set	1000,2002,3000,3850,4000,4100,6000,7000,7700
BL-20132	25831	Arbor	1000
BL-20059	25882	LH Thread Arbor Nut	2002,3000,3850,4000,4100,6000,7000,7700
BL-20083	25939	RH Thread Arbor Nut	1000
BL-20133	28573	Arbor	3850
BL-20080	3127	1" x 11/16" Step Down Adapter	
BL-20134	2170	Rear Drum Adapter	Use with # 3127 Step Down
BL-20135	1008	Arbor Set	1000
BL-20056	9708	Arbor Set	2002,3000,4000,4100,7000,7700
BL-20136	9709	Arbor Set	3850
BL-20137	9495	Arbor Set	6000



Friction Style Rotor Silencers



SVI #	OEM #	Description	For Model #'s
BL-31000	1175	Clip On Rotor Silencer	
BL-31006	7075	Friction Rotor Silencer	2002,3850,4000,4100,7000
BL-31007	9183	Replacement Pads (set of 2)	

Safety Shields

SVI #	OEM #	Description	Model #
BL-10154	9481	Safety Shield	6900,7900
BL-10360	9491	Safety Shield	6000
BL-10064	11154	Clear Shield	For 9481 kit



2-1/2" Arbor Set

Heavy Duty for Model 6000

SVI #	OEM #	Description
BL-20122	3460	Arbor Nut
BL-20138	5712	Washer
BL-20139	5713	1" long spacer
BL-20140	5714	2" long spacer
BL-20141	5715	3" long spacer
BL-20142	5716	Centering Cone 2.936" x 4.078"
BL-20143	5717	Centering Cone 3.936" x 5.063"
BL-20144	5718	Centering Cone 4.936" x 6.063"
BL-20145	5749	Arbor
BL-20146	5710	Arbor Set (15 pc set)

Boring Bars

SVI #	OEM #	Description	For Model #'s
BL-10127	5843	1-1/2" hex bar, 15-1/2" long	3000,4000
BL-10257	5844	1-1/2" hex bar, 19-1/2" long	4100
BL-10359	29240	1-1/2" hex bar, 16-1/2" long	3850



To order Call: (800) 321-8173 or Fax: (800) 899-1784

All names, numbers, symbols and descriptions are for reference purposes only, it is not implied that any part listed is the product of these manufacturers.



SVI International Inc.

Brake Lathes

Accessories

Wrenches



SVI #	OEM #	Description	Model #'s
BL-10010	3022	1-1/4" x 1-1/16"	1000,3000,4000,4100,7000,7700
BL-10109	3218	5/16" x 3/8"	1000,3000,4000,4100,7000,7700
BL-20123	5722	1-7/8" x 2-1/2" Arbor Nut wrench	
BL-20147	27077	Double ended	700,710

Silencer Bands For Rotors



SVI #	OEM #	Description
BL-31003	6920	Ventilated Rotor Silencer Band
BL-31004	6921	Non-Vented 6.50" Diam. (pkg of 2) Use on thin solid rotors
BL-31005	6922	Non-Vented 9.25" Diam. (pkg of 2) Use on thin solid rotors
BL-10349	6930	Hvy Dty Ventilated
BL-31008	9800	Ventilated Rotor Spring Silencer Assy

Silencer Bands For Drums

SVI #	OEM #	Description
BL-31001	5280	1-3/4" Drum Silencer Band for Automotive drums
BL-31002	5290	2-3/4" Drum Silencer Band for wider Truck drums



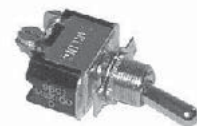
Boots



SVI #	OEM #	Description	Model #
BL-10017	3085	Spindle Boot -use 23682 ring	3000,4000
	10401	Discontinued spindle boot, use #BL-10017	
BL-10017R	3085-P	Rubber spindle boot, replaces 3085-P plastic boot	
BL-10018	3086	Feed Screw Boot	3000,4000
BL-10019	3087	Cross Feed Boot	3000,4000,4100,7000,7700
BL-10123	3595	Boot Coil Spring	
BL-10071	23682	Spindle Ring - use BL-10017 boot assy	
BL-10361	28824	Drive Rod Boot	7000
BL-10362	29190	Leadscrew Boot	3850
BL-10363	29191	Cross Feed Boot	3850

Miscellaneous Parts

SVI #	OEM #	Description	Model #'s
BL-10253	3148	Oil Level Stick	3000,4000,4100,7000,7700
BL-10364	4282	Bearing Protector	
BL-10365	6003	LH Saddle Assy	6002
BL-10037	6854	3-arm Red Knob	
BL-10051	7996	Shear Gear & C-clip	4000, 4100
BL-10053	9590	Spindle Lock Kit	
BL-10006	2165	1 HP Motor Only 4-bolt	
BL-10006-01	2165-01	1 HP Motor & Mount Bracket	
BL-10040	6893	Main Switch	
BL-40020	2760	Disc/Rotor Mechanical Micrometer	



To order Call: (800) 321-8173 or Fax: (800) 899-1784

All names, numbers, symbols and descriptions are for reference purposes only, it is not implied that any part listed is the product of these manufacturers.



Brake Lathes

Accessories

SVI #	OEM #	Description
BL-40001	433156	Rotor Feed Screw
BL-40002	433157	Drum Feed Screw
BL-20058	433164	11/16" Arbor Spherical Washer Set
BL-40009	433174	Rotor Runout, ball joint dial indicator gauge
BL-40003	433633	T-Bolt
BL-40010	433641	Feed Motor 1/60 HP, 60 RPM
BL-40004	433646	Drum Feed Nut
BL-40005	433647	Rotor Feed Nut
BL-40011	433673	Cogged Drive V-Belt
BL-40012	433682	Way Cover Spacer
BL-40013	433685	Work Lamp
BL-40014	433693	Old Style Toggle Switch w/ Pigtails
BL-40007	433701	1" Arbor
BL-20008	433703	5.7" Hubless Adapter
BL-40015	433704	4.25" Hubless Adapter
BL-20020	433705	Centering Cone 1.187"-2.25"
BL-20024	433706	Centering Cone 2.75" - 3.3334
BL-20025	433707	Centering Cone 3.281" - 3.891"
BL-20082	433708	Double Taper adapter 1.362" x 1.710" 1" bore
BL-20038	433709	Double Taper Adapter 1.711" x 2.073" 1" bore
BL-20039	433710	Double Taper Adapter 2.074" x 2.440" 1" bore
BL-20040	433711	Double Taper Adapter 2.44" x 2.85" 1" bore
BL-40016	433712	1" Spacer
BL-40017	433713	1" Arbor Nut
BL-20004	433716	Centering Cone Spring
BL-40000	433735	Telescoping Way Cover Assy
BL-40018	433760	Adjustment Screw
BL-31001	433782	1-3/4" Drum Silencer Length= 5'8"
BL-40019	433785	Large Ventilated Disc Rotor Silencer Band
BL-31004	433789	Small black solid rotor silencer band (6-9")2pk
BL-20057	433963	Double Taper Adapter 1.322" x 1.67" 1" bore
BL-20055	434054	Std Light Truck Adapter set (4 pcs) 1" Bore
BL-40020	434060	Disc/Rotor Mechanical Micrometer

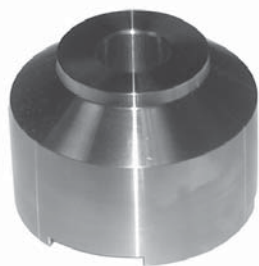
Accu-Turn



Double Taper Adapters
and
Centering Cones



SVI #	OEM #	Description
BL-40021	434061	Large Black Solid Rotor Silencer Band 10-12" (2 pk)
BL-20026	*434141	Centering Cone Specify which size you need: 3.828" x 4.421"
BL-20027	*434141	OR: 4.359" x 4.968"
BL-20041	434289	Double Taper Adapter 2.828" x 3.185" 1" bore
BL-20042	434290	Double Taper Adapter 3.203" x 3.560" 1" bore
BL-40022	434292	Set of 2 centering cones (BL-20019) & 1 washer (BL-60001)
BL-20087	434295	Double Taper Adapter Truck set (2 pcs) 1" Bore
BL-31000	434296	Clip on Disc Silencer
BL-40023	434470	Small Ventilated Disc Rotor Silencer Band 6-9"
BL-20034	434472	1-7/8" to 1" Step Down Adapter (set of 3)
BL-20006	434476	1" long spacer, use on any 11/16" arbor
BL-20007	434477	1/2" long spacer, use on any 11/16" arbor
BL-20005	434479	Centering Cone for any 11/16" arbor, 1" bore
see pg 6	434639	Centering Cone 1-7/8" bore
see pg 6	434640	Centering Cone 1-7/8" bore
BL-31002	434650	Hvy Duty 2-3/4" Truck Drum Silencer Band 6'
BL-20052	434776	3.625" Hubless Adapter Cup
BL-10353	436050	Digital Indicator Set
BL-20023	436052	Centering Cone 4.5" - 5.5" 1-7/8" bore
BL-20015	436053	6-1/2" alignment cup 1" bore
BL-20102	436054	Light & Med Truck adapter set (set of 5)
BL-40008	436057	Hubless Rotor Adapte Set -1" bore, 4 pcs
BL-10354	436229	Premium electronic digital Rotor Micrometer
BL-10355	436230	Premium electronic digital Drum Micrometer
BL-10356	436258	Rotor Runout/ ball joint dial indicator gauge
BL-40024	436259	Way Wiper Kit
BL-40006	436271	Drive Dog Assy Tool
BL-40025	436367	Drum wear limit gauge
BL-20035	535635	Hubless Adapter kit for rotors 2-5/32" to 3-15/16" center hole
BL-20036	535636	Passenger car Adapter plates for Composite Rotors- 1-7/8"
BL-20037	535637	Composite Rotor plate set for GM 1500 series trucks 1-7/8"



Hubless
Adapter



Silencer Band

To order Call: (800) 321-8173 or Fax: (800) 899-1784

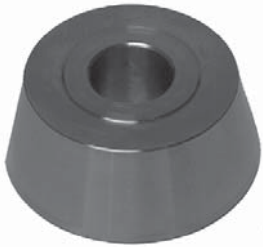
All names, numbers, symbols and descriptions are for reference purposes only, it is not implied that any part listed is the product of these manufacturers.



Brake Lathes

Accessories

All Tool



Centering
Cones



SVI #	OEM #	Description
BL-20045	5030D	Double Taper Adapter set (5 pcs) 1" bore
BL-20087	5038D	Double Taper Adapter Truck set (2 pcs) 1" bore
BL-40016	5509	1" spacer
BL-20101	5511	Light & Med Truck adapter set (5 pcs)
BL-20018	5514	Large Spring for Centering Cones
BL-46000	5531	11/16" arbor kit
BL-46001	5542	1" Std Arbor
BL-40017	5543	1" Std Arbor Nut
BL-20059	5545	11/16" Arbor Nut
BL-20006	5560	1" Long spacer
BL-20009	5564	1/2" Long Spacer
BL-46002	5566	2" Spcer, 1" diam., 2" long
BL-31000	5572	Clip on Disc Silencer
BL-31001	5574	1-3/4" Drum Silencer
BL-31002	5575	Hvy Dty 2-3/4" Truck Drum Silencer Band
BL-31003	5576	Adjustable Ventilated Rotor Silencer band w/7 lead weights
BL-40021	5578	Large Black solid Rotor silencer band 10-12"
BL-20084	5589	Light Truck Adapte set (5 pcs) 1" bore
BL-46003	5595	Rotor Adapter, must use BL-20020 cone to support adptr
BL-20035	5950	Hubless Adapter
BL-46004	5962	Composite Rotor Clamping Plate Set
BL-46005	5973	Passenger Car Adapter plates for Composite Rotors
BL-46006	5974	Hubless Adapter & Passenger Car Plates
BL-46007	5986	Centering Cone 1" bore
BL-20015	5998	6-1/2" alignment cup
BL-20016	5999	7-3/4" alignment cup



Thrust Washer



Double Taper Set BL-20045

To order Call: (800) 321-8173 or Fax: (800) 899-1784

All names, numbers, symbols and descriptions are for reference purposes only, it is not implied that any part listed is the product of these manufacturers.

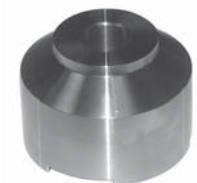


Brake Lathes

Accessories

FMCI/John Bean

SVI #	OEM #	Description
BL-20148	90043	1" Arbor
BL-20005	90054	Centering Cone for any 11/16" arbor, 1" bore
BL-20007	90055	1/2" long spacer, use on any 11/16" arbor
BL-20006	90056	1" long spacer, use on any 11/16" arbor
BL-50000	90070	Hex Drive for 90071 Rotor Feed Screw
BL-50001	90071	Rotor Feed Screw
BL-50002	90077	Rotor Feed Nut
BL-20004	90155	Centering Cone Spring
BL-20000	90157	Centering Cone 3.421" - 4.031" 1" bore
BL-20020	90159	Centering Cone 1.187" x 2.25" 1" bore
BL-40021	90194	Large black solid Rotor Silencer Band 10-12"
BL-31004	90196	Small black solid Rotor Silencer Band 6-9"
BL-31000	90198	Clip on Disc Silencer
BL-40020	90317	Disc/Rotor Mechanical Micrometer
BL-20150	90318	Metric Disc/Rotor Micrometer
BL-20052	90510	3.625" Hubless Adapter Cup 1" Bore
BL-20053	90511	4.5" Hubless Adapter Cup, 1" Bore
BL-40016	90554	1" spacer
BL-46002	90556	2" spacer
BL-20055	90559	Light truck Adapter set (4 pcs) 1" Bore
BL-20053	90511	4.5" Hubless Adapter Cup
BL-20020	90562	Centering Cone 1.187" - 2.25" 1" Bore
BL-20008	90581	5.7" Hubless Adapter 1" Bore
BL-20151	90621	Centering Cone 3-5/8" - 5-1/8"
BL-20152	90622	Centering Cone 5" - 6-1/8"
BL-20015	90628	6-1/2" alignment cup
BL-20018	90630	Large Spring for Centering Cone
BL-20153	90667	Drum Feed Screw
BL-20035	90881	Hubless Adapter Kit
BL-20087	90912	Double Taper Adapter Truck Set (2 pcs) 1" Bore
BL-20023	90923	Centering Cone 4.5" - 5.5" 1-7/8" Bore
BL-20021	90924	Centering Cone 1.703" - 2.75" 1" Bore
BL-20002	90925	Centering Cone 2.328" - 2.968" 1" Bore
BL-20001	90926	Centering Cone 2.89" - 3.5" 1" Bore
BL-20000	90927	Centering Cone 3.421" - 4.031" 1" bore
BL-20008	90929	5.7" hubless Adapter 1" Bore
BL-20018	90959	Large Spring for Centering Cone
BL-46005	90967	Composite Rotor Clamping Plate set (2 pcs)
BL-20154	90968	Jeep Cherokee/Eagle Plate (double sided)
BL-40019	90982	Large Ventilated Disc Rotor Silencer Band 10-12"
BL-31002	90983	Hvy Dty 2-3/4" Truck Drum Silencer Band 6'
BL-31003	90984	Adjustable Ventilated Rotor Silencer Band w/7 lead weights
BL-40023	90985	Small Ventilated Disc Rotor Silencer Band 6-9"
BL-20155	90986	Small Non-Ventilated Solid Rotor Silencer 6-9"
BL-20156	90987	Large Non-Ventilated Solid Rotor Silencer 10-12"
BL-31001	90988	1-3/4" Drum Silencer for Automotive drums 5'8"
BL-20157	90989	Universal Ventilated Rotor Silencers, Non-Adjustable
BL-20045	92014	Double Taper Adapter Set (5 pcs) 1" bore
BL-20035	92039	Hubless Adapter Kit
BL-50004	1016845	Drum Nut Feed



BL-20052



Adapter Sets

To order Call: (800) 321-8173 or Fax: (800) 899-1784

All names, numbers, symbols and descriptions are for reference purposes only, it is not implied that any part listed is the product of these manufacturers.



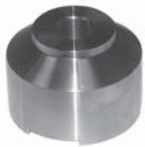
Brake Lathes

Accessories

Hunter



Alignment Cup



Hubless Adapter



Spring

SVI #	OEM #	Description
BL-40016	RP8-8409	1" Spacer
see pg 4/5	RP8-8477	Centering Cone 3-5/8" - 5-1/8" 1" Bore
BL-20055	RP8-8511	Light Truck Adapter set (4 pcs) 1" Bore
BL-20052	RP8-8527	3.625" Hubless Adapter Cup
BL-20019	RP8-8528	Centering cone 1.25" - 1.75" 1" bore
BL-20003	RP8-8546	5.7" Hubless Adapter 1" Bore
BL-20004	RP8-8548	Centering Cone Spring
BL-20000	RP8-8550	Centering Cone 3.421"-4.031" 1" Bore
BL-20010	RP8-8552	Centering Cone 2.65"-3.224" 1" Bore
BL-20021	RP8-8554	Centering Cone 1.703"-2.75" 1" Bore
BL-20005	RP8-8558	Centering Cone for any 11/16" Arbor
BL-20009	RP8-8564	1/2" Long Spacer
BL-46002	RP8-8566	2" Spacer
BL-20053	RP8-8582	4.5" Hubless Adapter Cup 1" Bore
BL-46001	RP8-9019	1" Std Arbor
BL-20034	20-1333-1	1-7/8" to 1" Step Down Adapter (set of 3)
BL-20035	20-1263-2	Hubless Adapter Kit
BL-10356	25-99-2	Rotor Runout/Ball Joint Dial Indicator Gauge
BL-40020	25-123-2	Disc/Rotor Mechanical Micrometer
BL-20054	46-432-2	Self Aligning Spacer
BL-40016	46-440-2	1" spacer
BL-46002	46-441-2	2" spacer
BL-20158	58-134-2	Solid Magnetic Rotor Silencer Band
BL-40017	97-394-2	1" Arbor Nut
BL-20159	97-422-2	1" Arbor
BL-20018	98-344-2	Large Spring for Centering Cones
BL-20004	98-345-2	Centering Cone Spring
BL-31000	175-185-2	Clip on Disc Silencer
BL-31001	175-186-2	1-3/4" Drum Silencer 5'8"
BL-31002	175-187-2	2-3/4" Truck Drum Silencer Band
BL-31003	175-188-2	Adjustable Ventilated Rotor Silencer Band w/7 wts
BL-31004	175-189-2	Small Black Solid Rotor Silencer Band 6-9"
BL-40021	175-190-2	Large Non-Ventilated Solid Rotor Silencer Band
BL-20016	175-192-2	7-3/4" Alignment Cup 1" Bore
BL-20003	175-231-2	5.7" Hubless Adapter 1" Bore
BL-20053	175-233-2	4.5" Hubless Adapter Cup
BL-20015	175-251-2	6.5" alignment cup 1" Bore
BL-31008	175-276-1	Ventilated Rotor Spring Silencer Assy - length 25"
BL-10064	179-27-2	Universal Chip Safety Shield
see pg 6	192-105-2	Centering Cone 3.95" - 6" 1-7/8" bore
BL-20029	192-106-2	Centering Cone 5" - 6-1/8" 1-7/8" bore
BL-20021	192-111-2	Centering Cone 1.703"-2.75" 1" bore
BL-20010	192-112-2	Centering Cone 2.65" - 3.224" 1" bore
BL-20000	192-113-2	Centering Cone 3.421" - 4.031" 1" bore
BL-20023	192-120-2	Centering Cone 4.5" - 5.5" 1-7/8" bore
see pg 6	192-124-2	Centering Cone 3.95" - 6" 1-7/8" bore
see pg 6	192-126-2	same cone as 192-124-2
BL-40006	8100073	Drive Dog Assy Tool



Silencer Band



Centering Cone



Safety Shield

To order Call: (800) 321-8173 or Fax: (800) 899-1784

All names, numbers, symbols and descriptions are for reference purposes only, it is not implied that any part listed is the product of these manufacturers.



Brake Lathes

Accessories

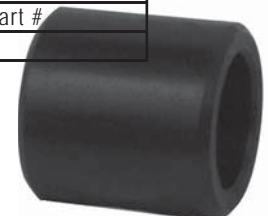
Kwikway



SVI #	OEM#	Description
BL-20160	1252-18	Work Lamp
BL-20004	000-1806-70	Centering Cone Spring
BL-31001	101-0230-10	1-3/4" Drum Silencer 5/8"
BL-20008	101-0235-40	5.7" Hubless Adapter 1" bore
BL-20000	101-0237-02	Centering Cone 3.421" - 4.031" 1" bore
BL-20019	101-0242-45	Centering Cone 1.25" - 1.75" 1" bore
BL-20021	101-0243-00	Centering Cone 1.703" - 2.75" 1" bore
BL-20057	101-0260-02	Double Taper Adapter 1.322"-1.67" 1" bore
BL-20082	101-0260-12	Double Taper Adapter 1.362"-1.71" 1" bore
BL-20038	101-0260-22	Double Taper Adapter 1.711"-2.073" 1" bore
BL-20039	101-0260-32	Double Taper Adapter 2.074"-2.44" 1" bore
BL-20040	101-0260-42	Double Taper Adapter 2.441"-2.897" 1" bore
BL-20041	101-0260-52	Double Taper Adapter 2.828"-3.185" 1" bore
BL-20042	101-0260-62	Double Taper Adapter 3.203"-3.56" 1" bore
BL-20015	101-0635-00	6.5" alignment cup
BL-20161	101-0637-04	1-7/8" to 1" Step Down Adapter
BL-20018	101-0638-01	Large Spring for Centering Cone
BL-20023	101-0639-00	Centering Cone 4.5"-5.5" 1-7/8" bore
BL-20029	101-0644-09	Centering Cone 5"-6-1/8" 1-7/8" bore
BL-20007	102-1056-00	1/2" long spacer, use on any 11/16" arbor
BL-20006	102-1057-00	1" long spacer, use on any 11/16" arbor
BL-20005	102-1058-00	Centering Cone for any 11/16" arbor 1" bore
BL-31000	102-1075-00	Clip on Disc Silencer
BL-20087	102-1078-00	Double Taper Adapter Truck Set
BL-20035	102-0900-01	Hubless Adapter Kit
BL-31004	*108-1060-00	SMALL Solid Rotor Silencer Band 6-9"
BL-40021	*108-1060-00	LARGE Solid Rotor Silencer Band 10-12"
BL-40023	*108-1061-00	SMALL Ventilated Disc Rotor Silencer Band
BL-40019	*108-1061-00	LARGE Ventilated Disc Rotor Silencer Band
BL-31003	108-1062-00	Adjustable Ventilated Rotor Silencer Band w/7 wts
BL-20052	109-1011-09	3.625" Hubless Adapter Cup
BL-20053	109-1012-06	4.5" Hubless Adapter Cup
BL-40016	109-1032-09	1" spacer
BL-46002	109-1033-06	2" spacer
		*Part # reference is for LARGE or SMALL, please specify correct Part # when ordering



BL-20007



1" long spacer

To order Call: (800) 321-8173 or Fax: (800) 899-1784

All names, numbers, symbols and descriptions are for reference purposes only, it is not implied that any part listed is the product of these manufacturers.

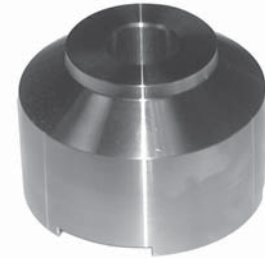


Accessories

Brake Lathes

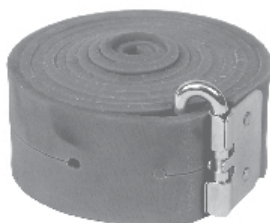
Perfect Hoffman/RJ West

SVI #	OEM #	Description
BL-31001	BDL140	1-3/4" Passenger Car Drum Silencer 5'8"
BL-31002	BDL140-1	Hvy Dty Truck Drum Silencer Band 6'
BL-20169	BDL251	Work Lamp
BL-20023	BDL500-2	Centering Cone 4.5"-5.5" 1-7/8" bore
BL-70000	CL538-1	1" Arbor
BL-20020	CW94	Centering Cone 1.187"-2.25" 1" bore
BL-20003	CW96	5.7" Hubless Adapter 1" bore
BL-20009	W98	1/2" long spacer
BL-40016	W99	1" spacer
BL-20172	W100	1-1/2" spacer
BL-46002	W101	2" spacer
BL-20018	W108	Large Spring for Centering Cones
BL-20000	W110	Centering Cone 3.421" - 4.031" 1" bore
BL-20002	W111	Centering Cone 2.328" - 2.968" 1" bore
BL-20021	W112	Centering Cone 1.703" - 2.75" 1" bore
BL-20019	W113	Centering Cone 1.25" - 1.75" 1" bore
BL-20052	W114	3.625" Hubless Adapter Cup
BL-20053	W115	4.5" Hubless Adapter Cup
BL-40021	W116	Large Solid Rotor Silencer 10-12"
BL-40019	W117	Large Ventilated Disc Rotor Silencer Band 10-12"
BL-20057	W118	Double Taper Adapter 1.322" - 1.67" 1" bore
BL-20039	W119	Double Taper Adapter 2.074" - 2.44" 1" bore
BL-20040	W129	Double Taper Adapter 2.441" - 2.897" 1" bore
BL-31004	W131	Small Solid Rotor Silencer 6-9"
BL-20038	W133	Double Taper Adapter 1.711" - 2.073" 1" bore
BL-20041	W134	Double Taper Adapter 2.828"-3.185" 1" bore
BL-20042	W135	Double Taper Adapter 3.203"-3.56" 1" bore
BL-20015	W143	6.5" alignment cup
BL-20005	W173	Centering Cone for any 11/16" arbor 1" bore
BL-20006	W174-1	1" long spacer, use on any 11/16" arbor
BL-20035	108950	Hubless Adapter Kit
BL-20035	20107023	Hubless Adapter Kit

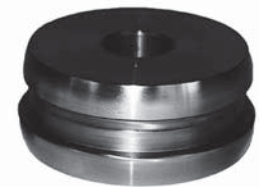
Centering
Cone

BL-31001

Silencer Band



SVI
is your
answer!



BL-20042

To order Call: (800) 321-8173 or Fax: (800) 899-1784

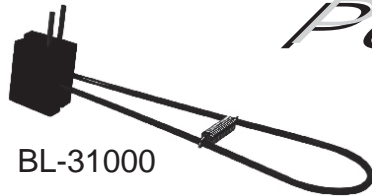
All names, numbers, symbols and descriptions are for reference purposes only, it is not implied that any part listed is the product of these manufacturers.



Brake Lathes

Accessories

Performance



BL-31000



Heavy Duty Silencer Band

SVI #	OEM #	Description
BL-10017	6085	Spindle Protective Boot, use with 6087
BL-10071	6087	Bronze Boot Ring
BL-31007	6783	Replacement Silencer Pads
BL-10355	6800	Electronic Digital Drum Micrometer
BL-10354	6900	Electronic Digital Rotor Micrometer
BL-31004	6921	Small Solid Rotor Silencer Band 6-9"
BL-10051	6996	Shear Gear & C Clip
BL-20029	7634	Centering Cone 5.438" - 6.031" 1-7/8" bore
BL-20034	8448	1-7/8" to 1" Step Down Adapter (set of 3)
BL-20101	8511	Light & Med. Truck adapter set (5 pcs)
BL-20052	8527	3.625" Hubless Adapter Cup
BL-46000	8531	11/16" arbor kit
BL-46001	8542	1" Arbor
BL-40017	8543	1" Arbor Nut
BL-20059	8545	11/16" Arbor Nut
BL-20003	8546	5.7" Hubless Adapter Cup
BL-20003	8547	same as above
BL-20004	8548	Centering Cone Spring
BL-20000	8550	Centering Cone 3.421" - 4.031" 1" bore
BL-20010	8552	Centering Cone 2.65" - 3.224" 1" bore
BL-20021	8554	Centering Cone 1.703" - 2.75" 1" bore
BL-20005	8558	Centering Cone for any 11/16" arbor 1" bore
BL-20006	8560	1" long spacer, use on any 11/16" arbor
	8562	1" Long spacer - same as above, order 2
BL-20009	8564	1/2" long spacer
BL-46002	8566	2" spacer
BL-31000	8572	Clip on Disc Silencer
BL-31001	8574	1-3/4" Drum Silencer 5'8"
BL-31002	8575	Hvy Dty 2-3/4" Truck Drum Silencer Band
BL-31003	8576	Adjustable Ventilated Rotor Silencer Band
BL-40021	8578	Large Solid Rotor Silencer Band 10-12"
BL-20053	8582	4.5" Hubless Adapter Cup
BL-10064	8865	Universal Chip Safety Shield
BL-20035	8950	Hubless Adapter Kit



To order Call: (800) 321-8173 or Fax: (800) 899-1784

All names, numbers, symbols and descriptions are for reference purposes only, it is not implied that any part listed is the product of these manufacturers.



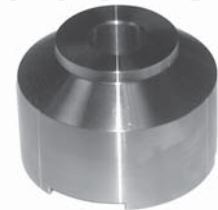
Brake Lathes

Accessories



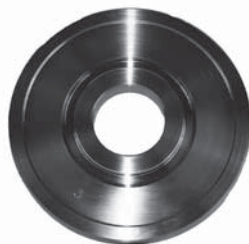
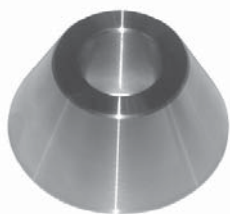
Reis

Collets and Adapters



SVI #	OEM #	Description
BL-31004	11484	Small Solid Rotor Silencer
BL-40021	11485	Large Solid Rotor Silencer
BL-31001	11486	1-3/4" Passenger Car Drum Silencer
BL-31002	11487	Hvy Dty 2-3/4" Truck Drum Silencer Band
BL-31003	11488	Adjustable Vnetilated Rotor Silencer Band
BL-31000	11491	Clip On Disc Silencer
BL-20155	11492	Small Non-Ventilated Solid Rotor Silencer
BL-40017	24074	1" Std Arbor Nut
BL-60000	24826	1" Std Arbor
BL-20006	40110	1" long spacer, use with any 11/16" arbor
BL-20058	40118	11/16" Arbor Spherical Washer Set
BL-20007	40119	1/2" Long Spacer, use on any 11/16" arbor
BL-20005	40121	Centering Cone for any 11/16" arbor
BL-20020	44000	Centering Cone 1.187" - 2.25" 1" bore
BL-20020	44001	Same As above
BL-20021	44004	Centering Cone 1.703" - 2.75" 1" bore
BL-20002	44006	Centering Cone 2.328" - 2.968" 1" bore
BL-20010	44007	Centering Cone 2.65" - 3.224" 1" bore
BL-20001	44008	Centering Cone 2.89" - 3.5" 1" bore
BL-20000	44010	Centering Cone 3.421" - 4.031" 1" bore
BL-20023	44016	Centering Cone 4.5" - 5.5" 1-7/8" bore
BL-20057	44040	Double Taper Adapter 1.322"-1.67" 1" bore
BL-20082	44042	Double Taper Adapter 1.362"-1.71" 1" bore
BL-20038	44044	Double Taper Adapter 1.711"-2.073" 1" bore
BL-20039	44046	Double Taper Adapter 2.074"-2.44" 1" bore
BL-20040	44048	Double Taper Adapter 2.441"-2.897" 1" bore
BL-20041	44054	Double Taper Adapter 2.828"-3.185" 1" bore
BL-20042	44056	Double Taper Adapter 3.203"-3.56" 1" bore
BL-40016	44100	1" spacer
BL-46002	44102	2" spacer

SVI #	OEM #	Description
BL-20161	44130	1-7/8" to 1" Step Down Adapter
BL-20052	44138	3.625" Hubless Adapter Cup 1" bore
BL-20053	44140	4.25" Hubless Adapter Bell Clamp 1" bore
BL-20008	44142	5.7" Hubless Adapter 1" bore
BL-20015	44144	6.5" Alignment Cup 1" bore
BL-20016	44146	7.75" Alignment Cup 1" bore
BL-40006	44180	Drive Dog Tool Assy
BL-20166	44301	Hubless Locator
BL-20167	44303	Hubless Cone
BL-20154	44340	Jeep Cherokee/Eagle Premier Double Sided Plate
BL-20154	44342	Jeep Cherokee/Eagle Premier Double Sided Plate
BL-20154	44343	Jeep Cherokee/Eagle Premier Double Sided Plate
BL-20175	44344	Double Sided Plate for Chrysler,Ford & GM
BL-20175	44345	Double Sided Plate for Chrysler,Ford & GM
BL-20175	44346	Double Sided Plate for Chrysler,Ford & GM
BL-20174	44348	Backing Plate for Passenger Cars
BL-20177	44350	Adapter Plate for Chevy 1500 series & Lt Trucks
BL-20176	44352	Backing Plate for Chevy 1599 series & Lt Trucks
BL-20018	44500	Large Spring for Centering Cone
BL-20084	44710	Economy Light Truck 5 pc Adapter Set
BL-20045	44780	Double Taper Adapter Passeng. Car/Lt Truck Set
BL-20087	44782	Double Taper Adapter Truck Set
BL-20034	47130	1-7/8" to 1" Step Down Adapter (set of 3)
BL-20035	47300	Hubless Rotor Adapter (5 pcs)
BL-20036	47325	Composite Rotor Clamping Plate
BL-20037	47327	Composite Rotor Clamping Plate for GM 100 & Lt Trucks
BL-20036	47330	Composite Rotor Clamping Plate
BL-40020	73622	Disc/Rotor Mechanical Micrometer
BL-40026	73645	Drum Wear Limit Gauge for Passenger Cars (6"-14.25")
BL-40025	73656	Drum Wear Limit Gauge for Pass. Cars - Trucks(6"-22")



Clamping Plates

To order Call: (800) 321-8173 or Fax: (800) 899-1784

All names, numbers, symbols and descriptions are for reference purposes only, it is not implied that any part listed is the product of these manufacturers.



Brake Lathes

Accessories

Van Norman



Alignment Cups

SVI #	OEM #	Description
BL-31003	111485	Adjustable Ventilated Rotor Silencer Band
BL-31001	111486	1-3/4" Drum Silencer for Automotive Drums
BL-20164	125110	Hubless Spanner Wrench
BL-20165	201022	Hubless Locking Nut
BL-20035	201023	Hubless Adapter Kit
BL-60000	204042	1" Arbor
BL-40017	204074	Std 1" Arbor Nut
BL-46002	204209	2" Spacer
BL-40016	204210	1" Spacer
BL-60001	204240	Washer for BL-60000 arbor
BL-20016	205300	7.75" Alignment Cup
BL-20015	205301	6.5" Alignment Cup
BL-20008	300108	5.7" Hubless Adapter
BL-20166	415177	Hubless Locator
BL-20167	415185	Hubless Cone
BL-20168	415186	Hubless Spacer
BL-20018	780300	Large Spring for Centering Cone
BL-20173	803027	Work Lamp
BL-20174	863185	Backing Plate for Passenger Cars
BL-20175	863186	Double Sided Plate for Chrysler, Ford & GM
BL-20175	863187	Double Sided Plate for Chrysler, Ford & GM
BL-20176	863188	Backing Plate for GM Chevy 1500 series & Lt Trucks
BL-20177	863189	Adapter Plate for GM 1500 series & Lt Trucks
BL-40015	864366	4.25" Hubless Adapter Bell Clamp
BL-20154	865698	Jeep Cherokee/Eagle Premier Double Sided Plate
BL-20154	865712	Jeep Cherokee/Eagle Premier Double Sided Plate
BL-20045	865822	Double Taper Adapter set (5 pcs) 1" Bore
BL-20057	865823	Double Taper Adapter 1.322" - 1.67" 1" bore
BL-20082	865824	Double Taper Adapter 1.362" - 1.710" 1" bore
BL-20038	865825	Double Taper Adapter 1.711" - 2.073" 1" bore
BL-20039	865826	Double Taper Adapter 2.074" - 2.44" 1" bore
BL-20040	865827	Double Taper Adapter 2.441" - 2.897" 1" bore
BL-20020	866445	Centering Cone 1.187" - 2.25" 1" bore
BL-20021	866446	Centering Cone 1.703" - 2.75" 1" bore

Bell Clamp



Hubless Adapter Kit

BL-20035

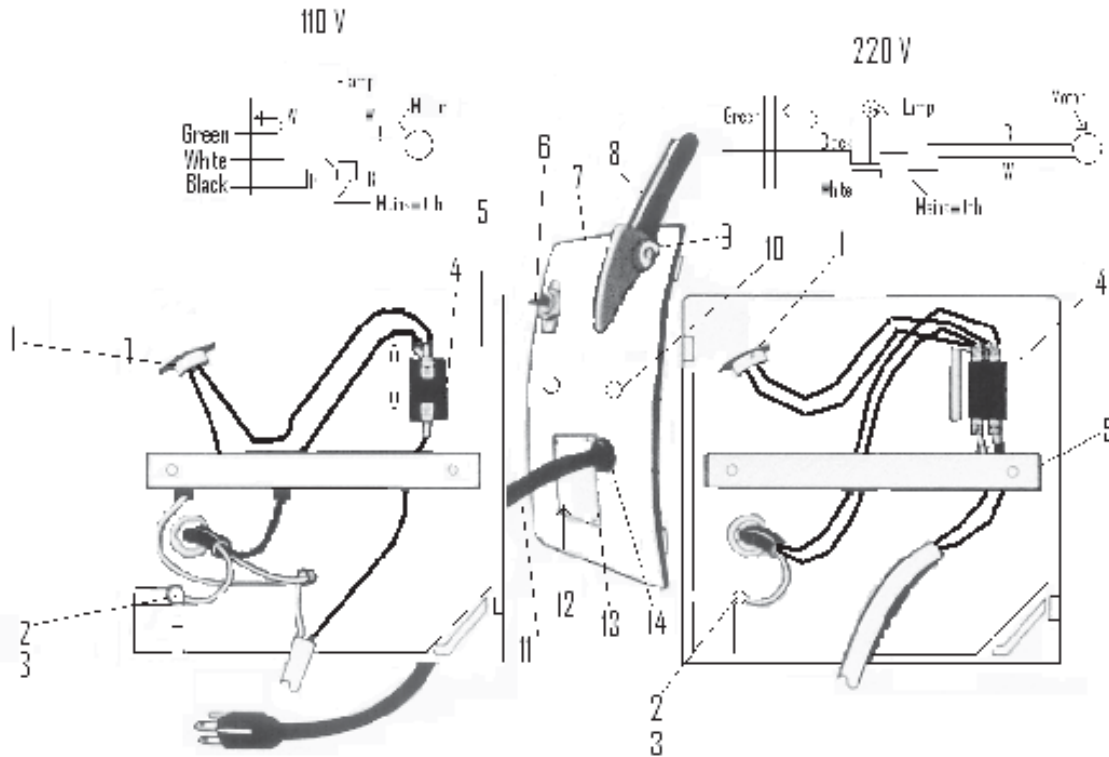
To order Call: (800) 321-8173 or Fax: (800) 899-1784

All names, numbers, symbols and descriptions are for reference purposes only, it is not implied that any part listed is the product of these manufacturers.



Brake Lathes

Electrical Panel Assembly



Item	SVI Part #	OEM #	Req	Description
1	BL-10366	902889	1	Insulation Bushing
2	BL-10179	921972	1	Self tapping screw
3	BL-10080	901926	1	Lock Washer
4	BL-10040	906893	1	110 V Switch
	BL-10367	921464	1	220 V Switch
5	BL-10093	903079	1	Clamp Strap
6	BL-10003	901185	1	Switch, Plate
7	BL-10185	910348	1	Electrical Panel
8	BL-10049	907963	1	Lamp
	BL-10069	922763		Replacement Lamp Switch & Sprocket
	BL-10070	922764		Replacement Dust Boot for Lamp
9	BL-10000	900220	1	Set Screw
10	BL-10102	903183	2	Round Head Machine Screw
11	BL-10043	902709	1	110 V Cord Set
	BL-10368	907210	1	220 V Cord Set
12	BL-10077	900306	4	Drive Screw
13	BL-10178	920463	1	Electrical Caution Plate
14	BL-10128	906058	1	110 V Cord Grip
	BL-10369	906077	1	220 V Cord Grip

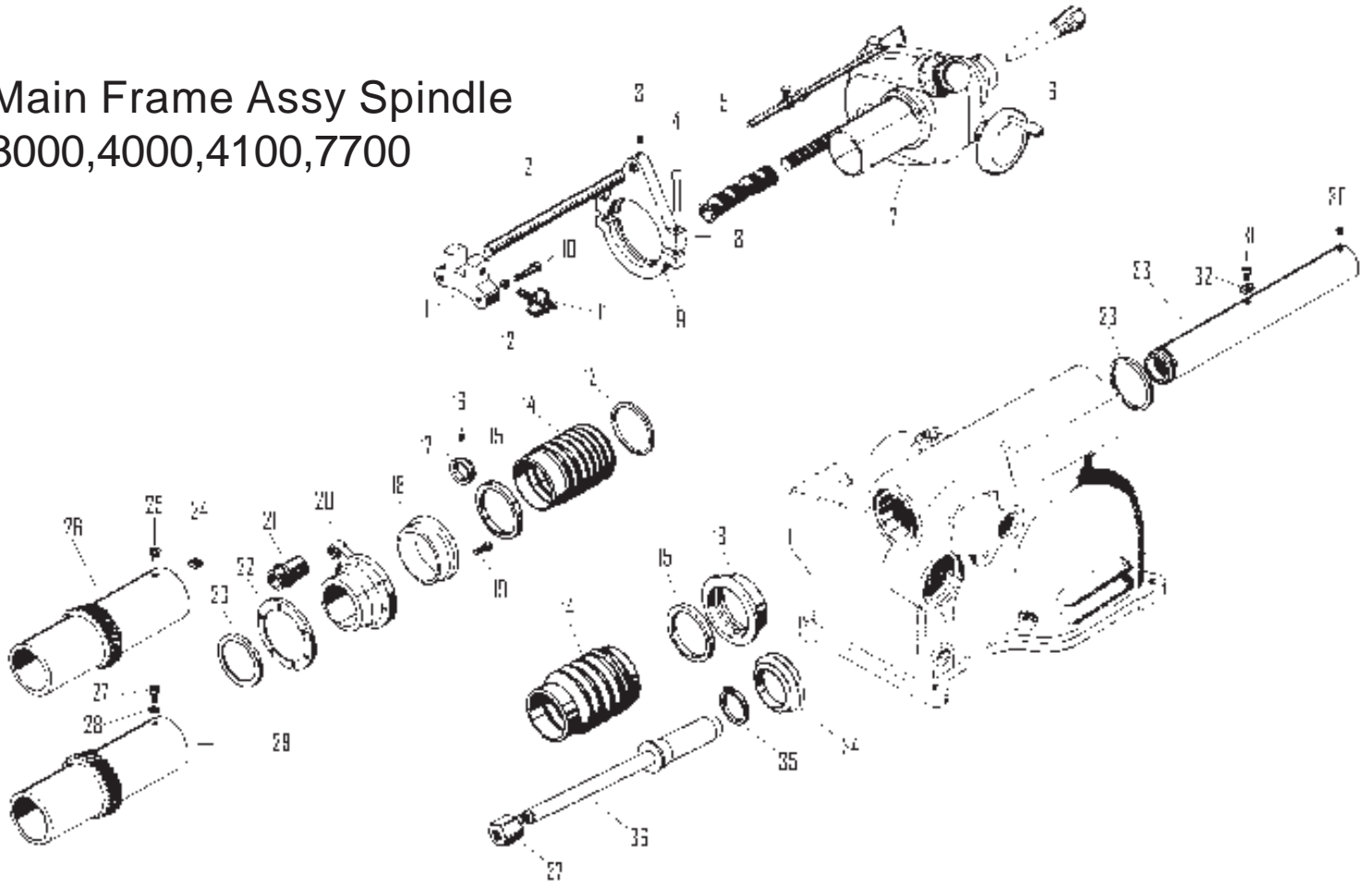
To order Call: (800) 321-8173 or Fax: (800) 899-1784

All names, numbers, symbols and descriptions are for reference purposes only, it is not implied that any part listed is the product of these manufacturers.



Brake Lathes

Main Frame Assy Spindle 3000,4000,4100,7700



Item	SVI Part #	OEM #	Req	Description
1	BL-10054	909592	1	Front Clamp
2	BL-10159	909645	1	Lock Rod 4000
	BL-10196	909593	1	Lock Rod 4100
3	BL-10074	900213	1	Set Screw
4	BL-10132	906825	2	Socket Head Capscrew
5	BL-10118	903086	1	Boot & Spring 3000/4000
	BL-10370	907703	1	Boot & Spring 4100/7000
6	BL-10145	907005	1	Drawbar & Nut Assy 3000/4000
	BL-10197	907716	1	Drawbar & Nut Assy 4100/7700
7	BL-10198	903037B	1	Feed Mechanism 3000/4000
	BL-10199	907702	1	Feed Mechanism 4100/7700
8	BL-10169	909999	1	Rear Upper Clamp
9	BL-10168	909998	1	Rear Lower Clamp
10	BL-10029	903319	2	Sckt Hd Cap Screw 4000/4100
11	BL-10037	906854	1	Knob
12	BL-10022	903142	1	Brass Plug
13	BL-10032	904435	1	Boot Ring 3000/7700
	BL-10123	903595	1	Boot Spring 4000/4100
14	BL-10017	903085	2	Boot
15	BL-10026	903164	1	Oil Seal
16	BL-10030	903338	1	Socket Head Cap Screw
17	BL-10195	904671	1	Take Up Nut

Item	SVI #	OEM #	Req	Description
18	BL-10097	903089	2	Oil Seal Adapter Ring
19	BL-10073	900209	6	Sckt Hd Scap Screw 3000/7700
20	BL-10147	907344R	1	Rear Flange Assy 3000/4000
	BL-10193	907729R	1	Rear Flange Assy 4100/7700
21	BL-10033	904670	1	Lead Screw Nut 4000/7000
	BL-10371	907712	1	Lead Screw Nut 4100/7700
22	BL-10087	903032		Shim (Qty as required)
23	BL-10088	903033	2	Thrust Washer
24	BL-10191	910737	1	Keyway Block 4100/7700
25	BL-10190	906868	1	Flat Hd Screw 4100/7700
26	BL-10189	910216	1	Drive Quill 4100/7700
27	BL-10004	901602	1	Hex Head Capscrew 3000/4000
28	BL-10001	900283	1	Lock Washer 3000/4000
29	BL-10160	909830	1	Drive Quill 3000/4000
30	BL-10117	903224	1	Cuppoint Set Screw
31	BL-10130	906486	1	Socket Head Capscrew
32	BL-10161	909831	1	Drive Key
33	BL-10101	903153	1	Body Spindle 3000/4000
	BL-10188	907714	1	Body Spindle 4100/7700
34	BL-10071	923682	1	Adapter Ring
35	BL-10023	903159	1	Retaining Ring
36	BL-10020	903101	1	Arbor
37	BL-10021	903102	1	Arbor Nut

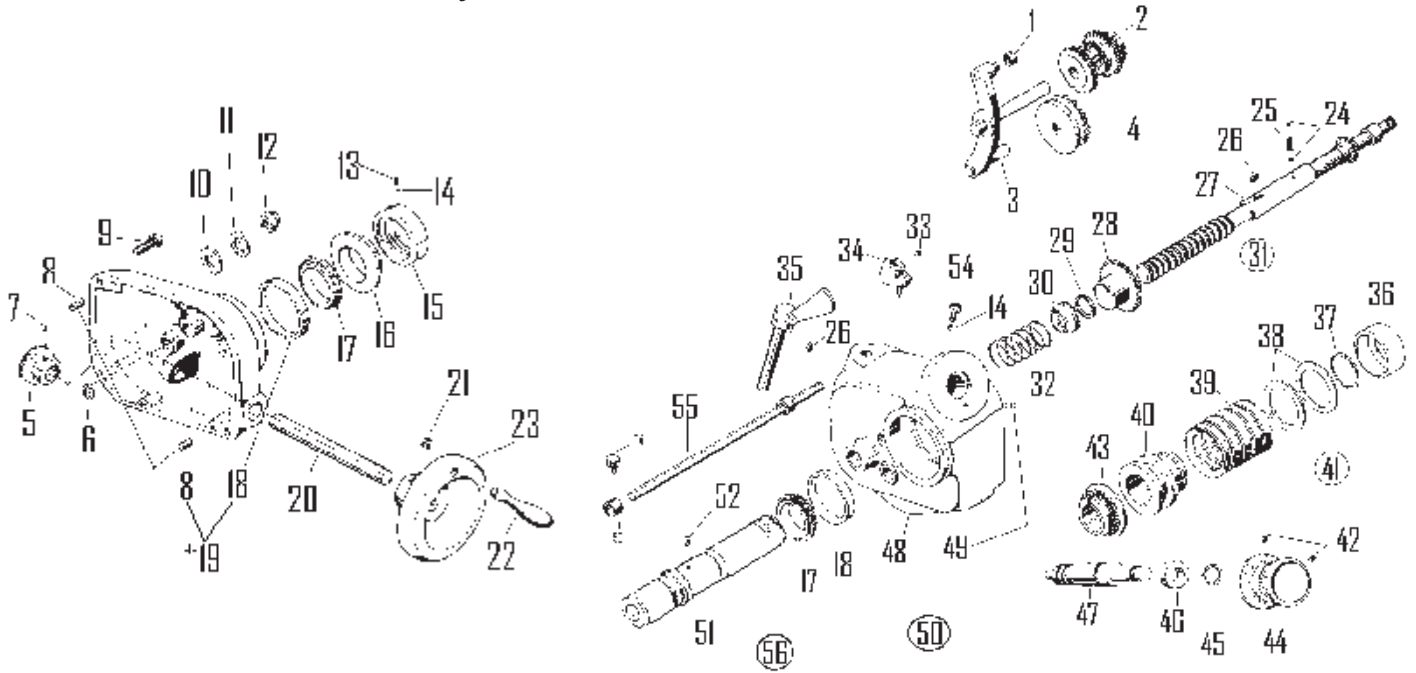
To order Call: (800) 321-8173 or Fax: (800) 899-1784

All names, numbers, symbols and descriptions are for reference purposes only, it is not implied that any part listed is the product of these manufacturers.



Brake Lathes

Variable Drum Feed Gearbox Assembly 3037-B



Item	SVI Part#	OEM #	Req	Description
1	BL-10220	903036	1	Roller
2	BL-10221	907338	1	Pinion Bushing Assy
3	BL-10219	907343	1	Feed Control Lever & Assy
4	BL-10094	903081	1	Driven Friction Disc & Bearing Assy
5	BL-10223	903069	1	Miter Gear
6	BL-10230	904641	1	Bone Fiber Washer
7	BL-10222	903098	1	Dog Point Set Screw
8	BL-10229	903038	2	Dowel Pin
9	BL-10224	903094	4	Socket Head Capscrew
10	BL-10118	903324	4	Washer
11	BL-10225	906155	1	Wave Washer
12	BL-10103	903184	1	Stop Nut
13	BL-10074	900213	1	Allen Set Screw
14	BL-10100	903141	2	Brass Plug
15	BL-10226	909443	1	Bearing lock nut
16	BL-10227	909444	1	Spherical Washer
17	BL-10209	903391	1	Taper Roller Bearing
18	BL-10208	903392	1	Bearing Cup
19	BL-10228	909498	1	Gear Case Cover Assy # 8 & # 18
20	BL-10231	903054	1	Shaft
21	BL-10000	900220	1	Set Screw
22	BL-10012	903026	1	Crank Handle
23	BL-10098	903090	1	Handwheel Assembly
24	BL-10234	900311	2	Steel Ball
25	BL-10235	903060	1	Clutch Spring
26	BL-10217	904449	2	Hy-Pro Key
27	BL-10166	909918	1	Lead Screw/Miter Gr Assy 3000/4000
28	BL-10236	903047	1	Sliding Clutch Gear
29	BL-10237	906163	1	Retaining Ring

Item	SVI Part #	OEM #	Req	Description
30	BL-10238	907264	1	Clutch Jaw
31	BL-10232	908235	1	Lead Screw & Clutch assy 3000/4000
	BL-10233	908237	1	Lead Screw & Clutch assy 4100/7500/7700
32	BL-10239	907263	1	Coil Spring
33	BL-10216	900212	1	Allen Set Screw
34	BL-10215	903058	1	Clutch Shifter Assy
35	BL-10218	903042	1	Clutch Handle & Shaft Assy
36	BL-10240	903061	1	Spring Loading Cup
37	BL-10242	903093	1	Retaining Ring
38	BL-10243	903064	2	Washer
39	BL-10244	903062	10	Belville Spring
40	BL-10092	903078	1	Sliding Friction Disc
41	BL-10241	903082	1	Friction Disc Assy
42	BL-10200	911241	2	Allen Set Screw
43	BL-10091	903077	1	Fixed Friction Clutch
44	BL-10201	903043	1	Feed Dial Assy
45	BL-10202	903097	1	Retaining Ring
46	BL10203	909930	1	Thrust Bearing
47	BL-10204	903066	1	Feed Adjusting Screw
48	BL-10207	903663	1	Gear Case
49	BL-10206	903132	1	Groove Pin
50	BL-10205	903715	1	Gear case assy Includes #18, #48, #49
51	BL-10210	903154	1	Spindle Extension
52	BL-10211	903092	1	Groove Pin
53	BL-10214	903039	1	Stop Collar
54	BL-10016	903084	2	Knurled Screw
55	BL-10212	903040	1	Shut Off assy 3000./4000
	BL-10213	907717	1	Shut Off assy 4100/7500/ 7700
56	BL-10146	907007	1	Spindle ext assy Includes #51, #52, #17

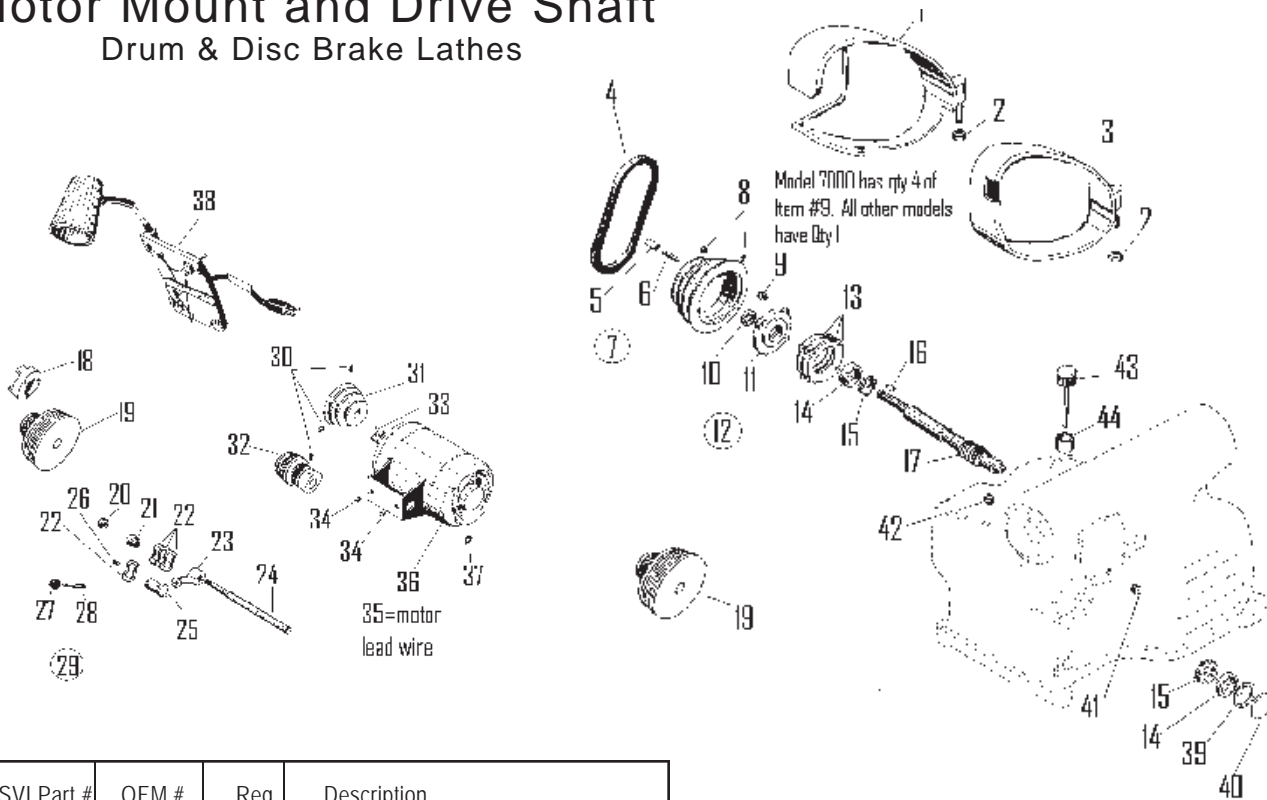
To order Call: (800) 321-8173 or Fax: (800) 899-1784

All names, numbers, symbols and descriptions are for reference purposes only, it is not implied that any part listed is the product of these manufacturers.



Brake Lathes

Motor Mount and Drive Shaft Drum & Disc Brake Lathes



Item	SVI Part #	OEM #	Req	Description
1	BL-10153	907788	1	Belt Guard 4000/4100/7500
2	BL-10177	911273	1	Self locking nut
3	BL-10254	903005	1	Belt Guard 3000,7000,7700
4	BL-10024	903161	1	V-Belt 3000/4000,7000
	BL-10252	910241	1	V-Belt 4100/7700
	BL-10182	940141	1	Poly V-Belt
5	BL-10251	925588	1	Rubber Tube 4000/4100
6	BL-10250	924239	1	Groove Pin 4000/4100
7	BL-10152	907784	1	Pulley w/ Pin and Tube (#5 & 6)
8	BL-10000	900220	1	Set Screw
9	BL-10075	900236	1	Hex Head Capscrew
	BL-10075	900236	4	HHCS- need 4 for model 7000
10	BL-10025	903163	1	Oil Seal
11	BL-10084	903010	1	Bearing Seal Cap
12	BL-10249	903186	1	Cap and Seal Assy (# 10 & 11)
13	BL-10112	903169	*	Shim .005"
	BL10113	903170	*	Shim .007"
	BL-10114	903171	*	Shim .020"
14	BL-10122	903394	2	Bearing Cup
15	BL-10121	903393	2	Bearing, Cone
16	BL-10072	924446	1	Woodruff Key
	BL-10372	940139	1	Square Key
17	BL-10164	9847-C	1	Shaft, Worm w/Woodruff keyway
	BL-10373	940140	1	Shaft, Worm w/ Square keyway
18	BL-10758	9818-1	1	
19	BL-10184	940146-2	1	Pulley (pin & tube not included)
20	BL-10120	903377	1	Hex Nut

Item	SVI Part #	OEM #	Req	Description
21	BL-10100	903223	1	Bushing Motor Mount Shaft
22	BL-10007	902364		Wave Washer - Qty as needed
23	BL-10085	903015	1	Belt Tension Lever
24	BL-10086	903023	1	Shaft, Motor Mount
25	BL-10090	903035	1	Pin, Eccentric Belt Release
26	BL-10116	903180	1	Socket Head Screw
27	BL-10002	900320	1	Ball Knob
28	BL-10096	903088	1	Belt Release Handle
29	BL-10248	907348	1	Lever Belt Assy (# 27 & 28)
30	BL-10000	900220	4	Set Screw 3000,4000,7000,7500
	BL-10374	900217	2	Set Screw 4100/7700
31	BL-10011	903024	1	Drive Pulley 3000/4000 **
	BL-10247	903639	1	Drive Pulley 4100/7700 **
	BL-10375	910305	1	Drive Pulley 7000
32	BL-10183	940142	1	Drive Pulley Poly V-Belt
33	BL-10376	925454	1	Square Key
34	BL-10134	906864	2	Screw Set
35	BL-10246	903244	1	Motor Lead Wire
36	BL-10006	902165	1	Motor/Bracket Assy
37	BL-10131	906766	1	O-Ring
38	BL-10255	910352	1	Electrical Panel Assy
39	BL-10115	903172	1	Retaining Ring
40	BL-10111	903166	1	Welch Plug
41	BL-10119	903372	1	Allen Pipe Plug
42	BL-10068	922006	1	Grease Fitting
43	BL-10253	903148	1	Dipstick
44	BL-10108	903215	1	Oil Filler Sleeve

To order Call: (800) 321-8173 or Fax: (800) 899-1784

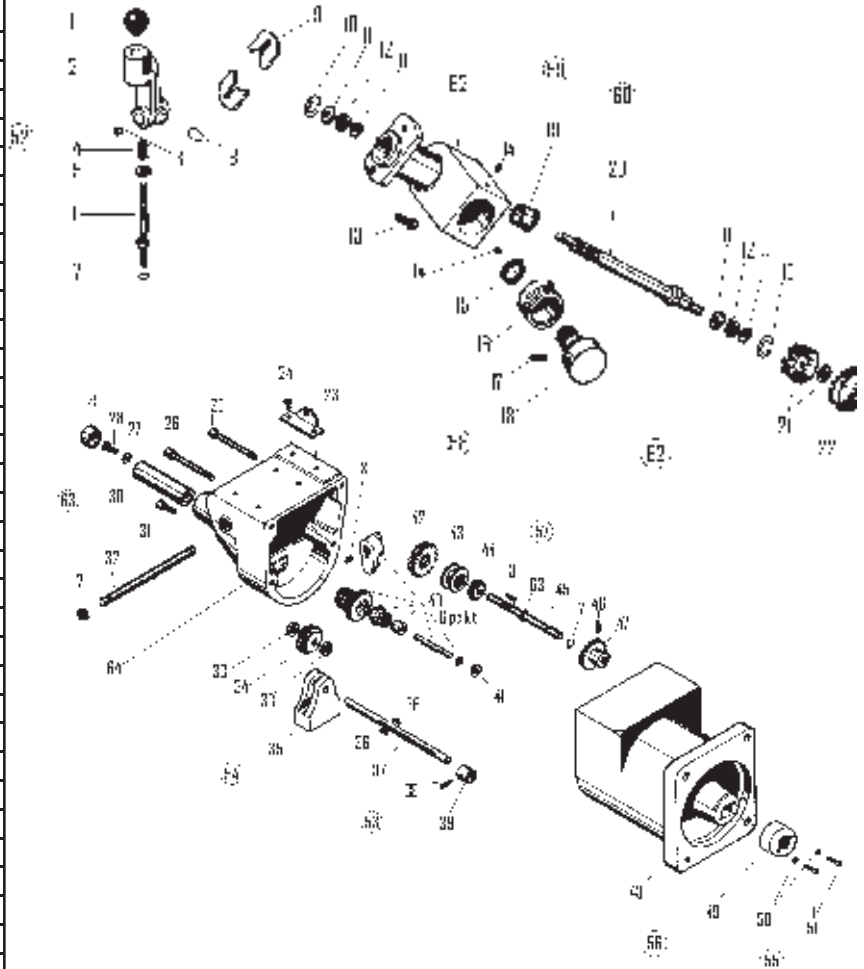
All names, numbers, symbols and descriptions are for reference purposes only, it is not implied that any part listed is the product of these manufacturers.



Brake Lathes

Disc Brake Feed Mechanism 7751-B

Item	SVI Part #	OEM #	Req	Description
1	BL-10002	900320	1	Ball Knob
2	BL-10045	907744	1	Body, Shifter Handle
3	BL-10028	903176	5	Woodruff Key
4	BL-10301	907699	1	Spring
5	BL-10300	906451	1	Washer
6	BL-10299	907746	1	Shifter Handle Pin
7	BL-10281	905613	2	Retaining Ring
8	BL-10000	900220	1	Set Screw
9	BL-10318	907908	2	Shim .005"
	BL-10319	907903	2	Shim .010"
	BL-10320	907904	2	Shim .020"
	BL-10321	907905	2	Shim .030"
10	BL-10378	905639	1	"C" Clip
11	BL-10306	906872	2	Travel Washer
12	BL-10307	906871	1	Bearing Thrust Needle
13	BL-10290	903221	4	Socket Head Set Screw
14	BL-10311	906834	2	Cone Point Set Screw
15	BL-10314	903174	1	Retaining Ring
16	BL-10315	909825	1	Spacer and Bushing Assy
17	BL-10317	904096	1	Roll Pin
18	BL-10316	909822	1	Coupling and Gear Assy
19	BL-10309	906749	1	Oillite Bushing
20	BL-10379	907997	1	Worm Drive Assy
21	BL-10051	907996	1	Shear Gear and Ring Assy
22	BL-10312	906446	1	Dot Plug
23	BL-10046	907747	1	Plate Index
24	BL-10297	904508	2	Round Head Machine Screw
25	BL-10296	906391	2	Hex Head Machine Screw
26	BL-10295	906392	1	Hex Head Machine Screw
27	BL-10292	904789	1	Washer
28	BL-10293	906254	1	Socket Head Capscrew
29	BL-10294	906974	1	Cap, Tube
30	BL-10289	907783	1	Tube
31	BL-10290	903221	2	Socket Head Capscrew
32	BL-10287	907748	1	Shaft, Shift
33	BL-10275	906973	2	Thrust Washer
34	BL-10276	907778	1	Drive Gear
35	BL-10151	907775	1	Trap
36	BL-10274	906937	2	Dowel Pin
37	BL-10150	907774	1	Drive Rod
38	BL-10380	940403	1	Roll Pin
39	BL-10381	940717	1	Coupler
40	BL-10322	924516	1	Shifter and Gear Assy 6 pcs
41	BL-10277	906350	1	Bone Shim Washer
42	BL-10286	909812	1	Coarse Feed Gear
43	BL-10285	909813	1	Clutch
44	BL-10284	909816	1	Fine Feed Gear
45	BL-10283	906138	1	Retaining Ring
46	BL-10280	904006	1	Roll Pin
47	BL-10279	907994	1	Helix Gear



Item	SVI Part #	OEM #	Req	Description
48	BL-10255	907790	1	Gear Case
49				Only available in kit BL-10324 or BL-10262
50	BL-10263	903910	2	Lock Washer
51	BL-10323	928367	2	Cap Screw
52	BL-10298	907742	1	Handle Assy (#1,2,4,5,6,7)
53	BL-10382	940718	1	Rod & Cplg Assy (#37, 38 &39)
54	BL-10383	940719	1	Univ. Cplg Assy (#53 & 33-36)
55	BL-10324	928529	1	Lead Screw Nut Kit (49-51)
56	BL-10262	910870	1	Gear Case Assy (48-51)
57	BL-10278	909814	1	Shifter Shaft Assy (42-47,3,63,7)
58	BL-10313	909821	1	Coupling Assy (15-18)
59	BL-10303	924241	1	Worm Drive Assy (10-,11,12,11,62,19,20)
60	BL-10384	940401	1	Worm Shaft Repair Kit(10,11,12,11,62,19,20, 11,12,11,10)
61	BL-10302	909815	1	Driven Assy Right Angle Drive (# 55 & # 65)
62	BL-10308	907998	1	Drive Housing
63	BL-10282	907764	1	Shaft Clutch(#30 plus cover)

To order Call: (800) 321-8173 or Fax: (800) 899-1784

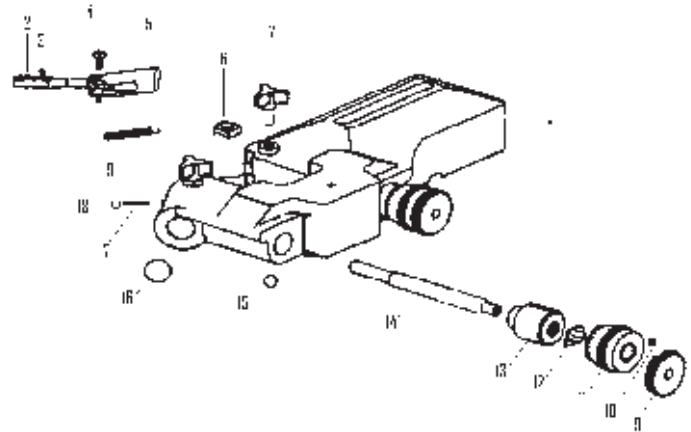
All names, numbers, symbols and descriptions are for reference purposes only, it is not implied that any part listed is the product of these manufacturers.



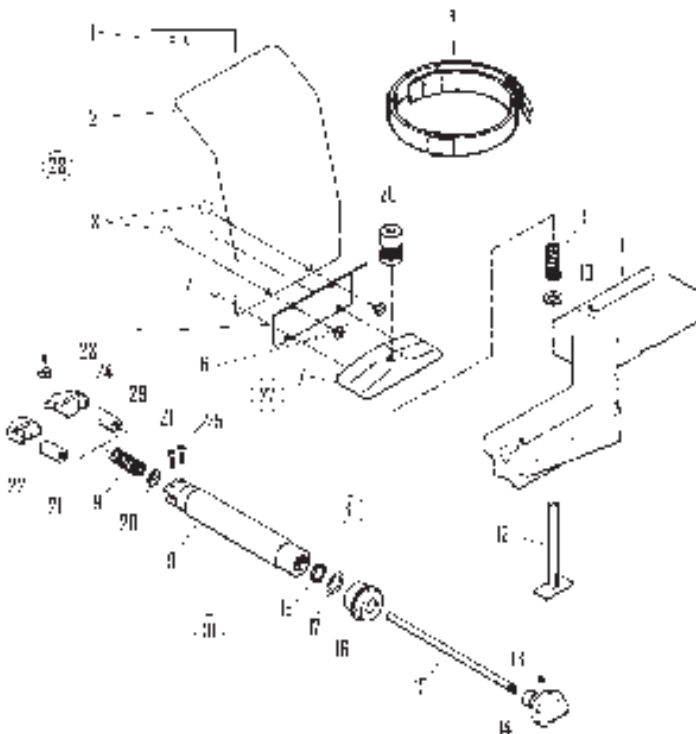
Brake Lathes

Item	SVI Part #	OEM #	Req	Description
1	BL-30003	906918	2	Positive Rake Carbide Bit
	BL-30002	906914	2	Negative Rake Carbide Bit
2	BL-30001	906499	2	Oval Head Screw
3	BL-30015	925968	1	Positive Rake Right Hand Tool Holder Bit
	BL-30016	925969	1	Positive Rake Left Hand Tool Holder Bit
	BL-30010	910701	1	Negative Rake Right Hand Tool Holder Bit
	BL-30011	910702	1	Negative Rake Left Hand Tool Holder Bit
4	BL-10052	909249	2	Square Head Set Screw
5	BL-30013	910650	1	Left Hand Tool Holder
	BL-30012	910651	1	Right Hand Tool Holder
6	BL-10180	928584	2	Gib, Brass, Tool Holder
7	BL-10037	906854	1	Lock Screw
8	BL-10377	928572	1	Twin Cutter Housing
9	BL-10141	906923	2	Dial Rod Knob
10	BL-10030	90338	2	Set Screw
11	BL-10138	906907	2	Micrometer Dial
12	BL-10142	906929	2	Spring Washer
13	BL-10137	906906	2	Dial Plug
14	BL-10139	906908	2	Dial Rod
15	BL-10129	906109	2	Set Screw 3/16-16
16	BL-10144	906977	2	Dot Plug
17	BL-10031	903528	2	Hex Nut
18	BL-10165	909879	2	Locating Screw
19	BL-10136	906905	1	Spring
20	BL-10041	906901	1	Dial Assembly

6950 Twin Cutter



7900 Twin Cutter



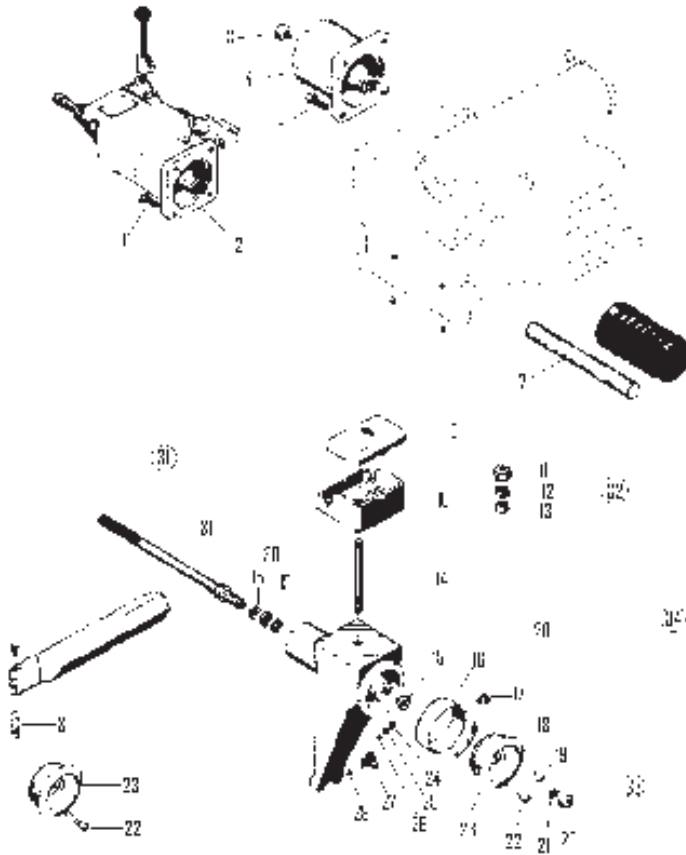
Item	SVI Part #	OEM #	Req	Description
1	BL-10335	926016	1	Safety Decal
2	BL-10064	911154	1	Shield
3	BL-10174	911166	2	Nut Insert
4	BL-10297	904508	2	Pan Head Machine Screw
5	BL-10334	926014	1	Bracket
6	BL-10172	911150	2	Retainer Screw
7	BL-10331	925985	1	Clamp
8	BL-10349	906930	1	HD Silencer Band assy
9	BL-10329	925756	3	Compression Spring
10	BL-10107	903214	1	Flat Washer
11	BL-10326	925982	1	Tool Bar Support
12	BL-10328	923556	1	T Bolt
13	BL-10030	903338	1	Cup Point Set Screw
14	BL-10345	925751	1	Depth Dial
15	BL-10344	925983	1	Dial Rod
16	BL-10343	925752	1	Micrometer Dial
17	BL-10342	925758	1	Wave Washer
18	BL-10341	925759	1	External Retaining Ring
19	BL-10340	925984	1	Boring Bar
20	BL-10338	924922	1	Flat Washer
21	BL-10337	925754	1	Sleeve
22	BL-10348	925761	1	Holder
23	BL-30001	906499	1	Oval Head Machine Screw
24	BL-30002-02	906914-2	1	Carbide Bit (pkg of 2)
25	BL-10339	925757	1	Shoulder Screw
26	BL-10066	911227	1	Nut/Washer Self-Align Assy
27	BL-10330	926018	1	Clamp Assy (# 4 & #7)
28	BL-10033	926015	1	Shield Assy (# 1, 2, 3, 5, 6)
29	BL-10336	925762	1	Holder
30	BL-10347	925980	1	Bar, Tool, RH assy (13-21, 23-25, 29, 9)
31	BL-10346	925981	1	Bar, Tool, LH assy (13-23, 29, 9)

To order Call: (800) 321-8173 or Fax: (800) 899-1784

All names, numbers, symbols and descriptions are for reference purposes only, it is not implied that any part listed is the product of these manufacturers.



Brake Lathes



Cross Feed Assembly

Item	SVI Part #	OEM #	Req	Description
1	BL-10076	900237	4	Cap Screw
2	BL-10149	907751B	1	Gearbox Assy
3	BL-10076	900237	1	Nut 3000/7700
4	BL-10260	903007	1	Lead Capscrew 3000/7700
5	BL-10259	901127	4	Capscrew 3000/7700
7	BL-10170	910346	1	Guide Bar
9	BL-10009	903017	1	Clamp,Boring Bar Upper (not for 7500)
10	BL-10067	920666	1	Clamp, Boring Bar Lower (not for 7500)
11	BL-10175	911221	1	Locking Nut
12	BL-10065	911225	1	Retainer
13	BL-10176	911224	1	Washer
14	BL-10014	903031	1	Stud, Boring Bar
15	BL-10039	906874	1	Race
16	BL-10158	909634	1	Dial
17	BL-10035	906839	1	Set Screw
18	BL-10155	909611	1	Dial Spring
22	BL-10055	903026	1	Handwheel Crank
23	BL-10157	909633	1	Handwheel
24	BL-10000	900220	1	Set Screw
25	BL-10005	902064	1	Spring
26	BL-10055	909836	1	Plug
30	BL-10038	906873	1	Needle Thrust Bearing
31	BL-10106	903211-1	1	Lead Screw Assy
32	BL-10066	911227	1	Hex Nut/Washer, Self Align Assy
33	BL-10156	909626	1	Crossfeed Handwheel Assy
34	BL-10256	907345	1	Crossfeed Assy

SVI
is your
answer!

To order Call: (800) 321-8173 or Fax: (800) 899-1784

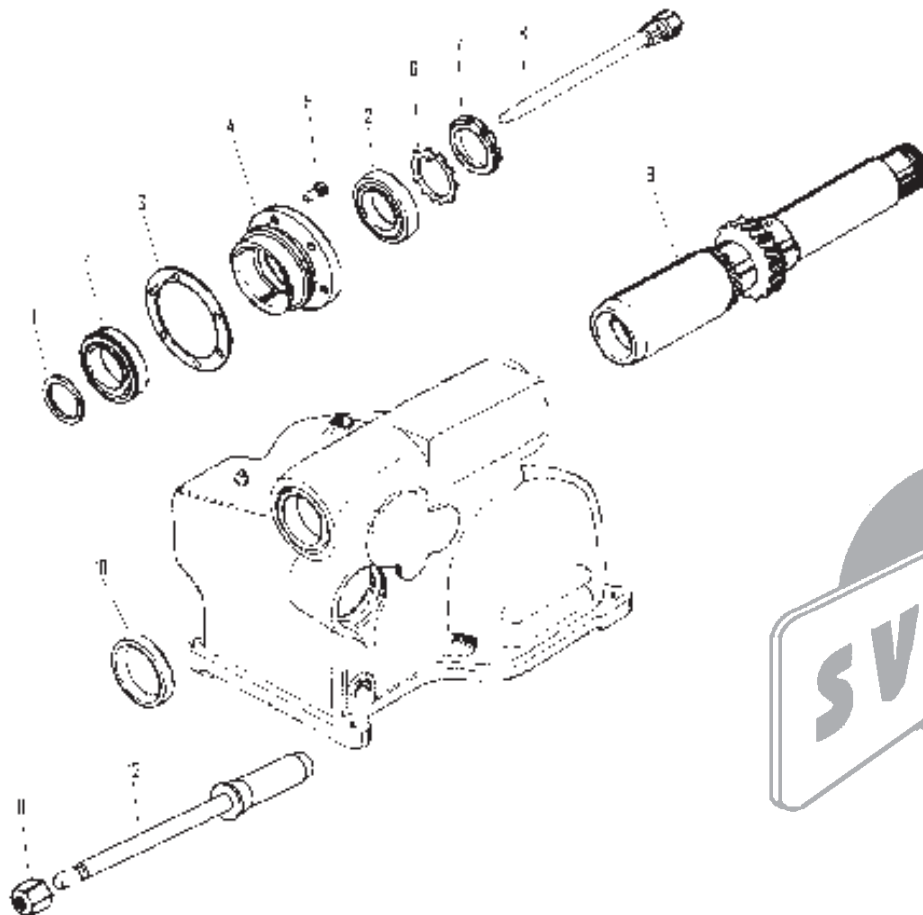
All names, numbers, symbols and descriptions are for reference purposes only, it is not implied that any part listed is the product of these manufacturers.



Brake Lathes

7000/7500 Spindle

Item	SVI Part #	OEM #	Req	Description
1	BL-10385	910303	1	Spacer
2	BL-10386	906979	2	Bearing
3	BL-10087	903032	1	Shim
4	BL-10387	910316	1	Rear Flange
5	BL-10073	900209	6	Screw
6	BL-10388	906981	1	Lock Washer
7	BL-10389	906980	1	Lock Nut
8	BL-10390	910364	1	Drawbar
9	BL-10391	940021	1	Spindle and Gear Assy 7500
	BL-10392	910363	1	Spindle and Gear Assy 7000
	BL-10393	910315-1	1	Spindle Gear
	BL-10394	903177	1	Roll Pin
10	BL-10395	940720	1	Oil Seal for 7500
	BL-10396	906983	1	Oil Seal for 7000
11	BL-10021	903102	1	Arbor Nut
12	BL-10020	903101	1	Arbor

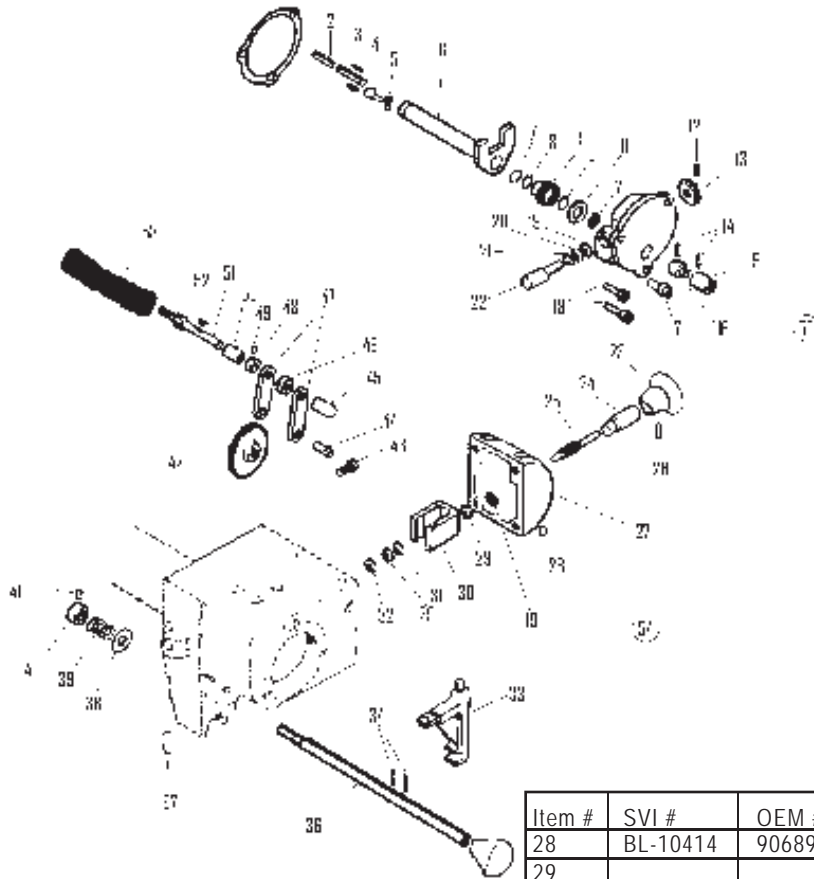


To order Call: (800) 321-8173 or Fax: (800) 899-1784

All names, numbers, symbols and descriptions are for reference purposes only, it is not implied that any part listed is the product of these manufacturers.



Brake Lathes



7000 Cross Feed Controls

Item	SVI #	OEM #	Req	Description
1	BL-10397	910359	1	Gear Support Gasket
2	BL-10398	928822	1	Drive Rod
3				Available in Kit # 55
4	BL-10125	905646	2	SH Cap Screw
5				Available in Kit # 55
6	BL-10400	928799	1	Oil Tube Assy
7				Available in Kit # 55
8				Available in Kit # 55
9	BL-10401	928823	1	Worm Gear
11	BL-10402	928741	2	Sealed Drawn Cup Bearing
12	BL-10280	904006	1	Roll Pin
13	BL-10403	910311	1	Drive Gear
14	BL-10272	906106	2	Roll Pin
15	BL-10404	910377	1	Drive Coupling
16	BL-10405	910376	1	Drive Coupling
17	BL-10406	906985	1	Shoulder Screw
18	BL-10290	903221	2	SH Cap Screw
19	BL-10275	906973	3	Thrust Washers
20	BL-10407	906976	1	Thrust Bearing
21	BL-10408	906975	1	Thrust Washer
22	BL-10409	910301	1	Worm
23	BL-10410	910331	1	Feed Control Knob
24	BL-10411	910336	1	Bushing
25	BL-10412	910337	1	Adjusting Rod
26	BL-10317	904096	1	Pin
27	BL-10413	910330	1	Cover

Item #	SVI #	OEM #	Req	Description
28	BL-10414	906891	1	Set Screw
29				Available in Kit # 54
30	BL-10415	910321	1	Fork
31	BL-10416	928889	1	Wave Washer
32	BL-10417	902304	1	Retaining Ring
33	BL-10418	910365	1	Arm & Pin Assy
34	BL-10419	901963	2	Pin
35	BL-10420	906986	1	Knob
36	BL-10421	910344	1	Shut-Off Rod
37	BL-10394	903177	1	Pin
38	BL-10422	900279	1	Washer
39	BL-10423	903493	1	Spring
40	BL-10214	903039	1	Collar
41	BL-10216	900212	1	Set Screw
42	BL-10424	910326	1	Friction Drive Gear
43	BL-10425	900208	4	SH Screw
44	BL-10426	906967	1	Friction Drive Shaft
45	BL-10427	910341	1	Support Bushing
46	BL-10428	910327	1	Gear
47	BL-10429	910329	2	Link
48	BL-10430	910379	1	Stop Collar
49	BL-10431	903653	1	Roll Pin
50	BL-10432	910338	1	Bushing
51	BL-10433	910378	1	Input Shaft
52	BL-10434	906971	1	Key
53	BL-10435	928824	1	Boot & Spring
54	BL-10436	910354	1	Cross Slide Speed Control Cover Assy (Items #23-32, plus # 19)
55	BL-10437	928809	1	Cross Feed Power Take off Assy Items # 1-22)

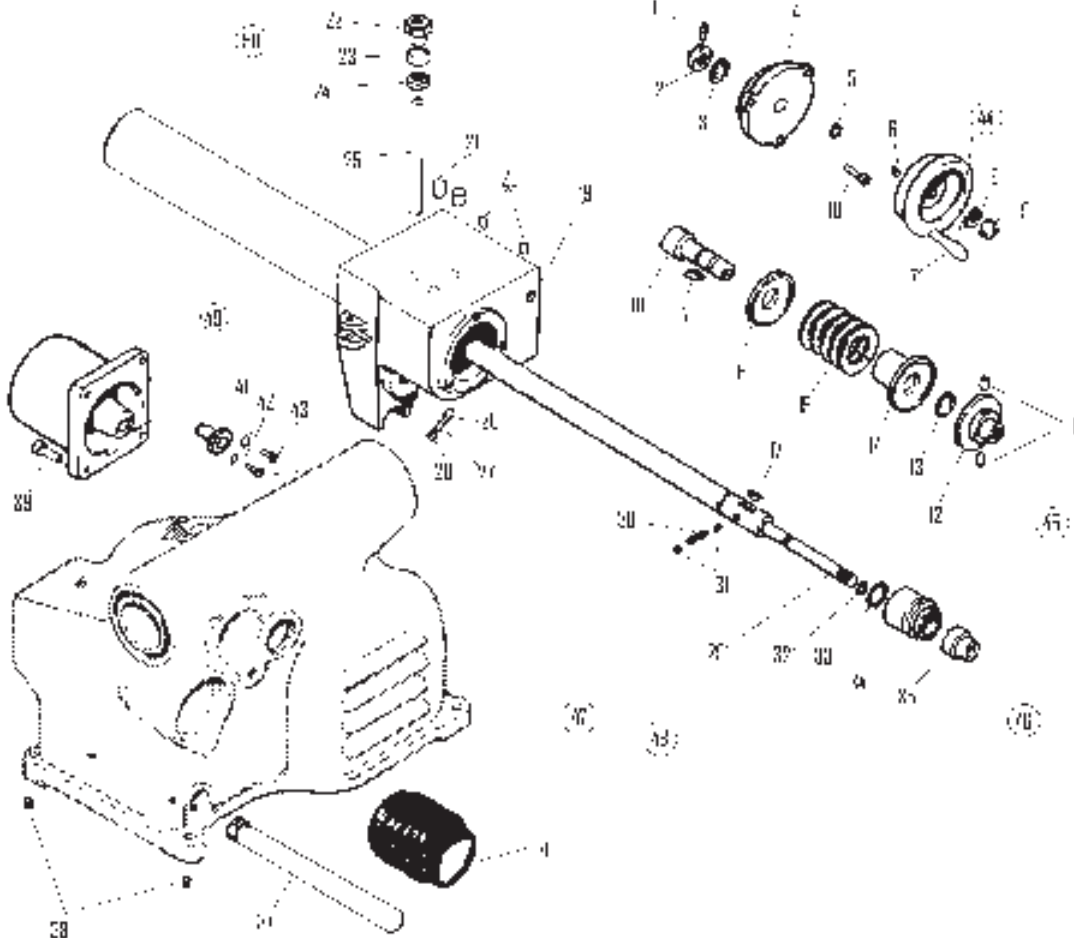
To order Call: (800) 321-8173 or Fax: (800) 899-1784

All names, numbers, symbols and descriptions are for reference purposes only, it is not implied that any part listed is the product of these manufacturers.



Brake Lathes

7000
Cross
Feed
Drive



Item	SVI #	OEM #	Req	Description
1	BL-10280	904006	1	Roll Pin
2	BL-10399	910334	1	Stop Collar
3	BL-10275	906973	1	Thrust Washer
4	BL-10438	910358	1	Cover & Bushing Assy
5	BL-10439	906726	1	Washer
6	BL-10440	906972	1	Key
7	BL-10012	903026	1	Crank
8	BL-10441	900278	1	Washer
9	BL-10442	928299	1	Nut
10	BL-10425	900208	3	SH Capscrew
11	BL-10443	911102	2	Set Screw
12	BL-10444	910324	1	Fixed Friction Disc
13	BL-10314	903174	1	Retaining Ring
14	BL-10445	910325	1	Friction Disc
15	BL-10244	903062	10	Bellville Spring
16	BL-10446	910335	1	Retainer
17	BL-10028	903176	2	Key
18	BL-10447	910356	1	Drive Shaft & Pin Assy
19	BL-10448	910323	1	Cross Feed & Bushing Assy
20	BL-10216	900212	2	Set Screw
21	BL-10449	906990	2	Set Screw
22	BL-10175	911221	1	Locking Nut
23	BL-10065	911225	1	Retainer
24	BL-10176	911224	1	Washer
25	BL-10014	903031	1	Tool Clamp Stud

Item	SVI #	OEM #	Req	Description
26	BL-10000	900220	1	Set Screw
27	BL-10005	902064	1	Spring
28	BL-10055	909836	2	Plug
29	BL-10450	910318	1	Lead Screw
30	BL-10234	900311	1	Steel Ball
31	BL-10235	903060	2	Spring
32	BL-10283	906138	1	Snap Ring
33	BL-10451	906969	1	Snap Ring
34	BL-10452	910322	1	Clutch, Driven
35	BL-10453	910320	1	Clutch, Drive
36	BL-10019	903087	1	Boot
37	BL-10170	910346	1	Cross Feed Guide Bar
38	BL-10079	901680	2	Set Screw
39	BL-10259	901127	4	SH Capscrew
41				Available in Kit # 49
42	BL-10263	903910	1	Lock Washer
43	BL-10323	928367	2	Machine Screw
44	BL-10454	910353	1	Handwheel Assy
45	BL-10455	910355	1	Friction Drive Assy (11-18)
46	BL-10456	925310	1	Lead Scrw & Clutch Assy (29-35)
47	BL-10457	910357	1	Lead Scrw & Clutch Assy
				Includes (1-10) & 45, 46
48	BL-10458	910350	1	Cross Feed Assy (1-10,19-21,45-47)
49	BL-10459	928368	1	Lead Scrw Cp Assy (40-43)

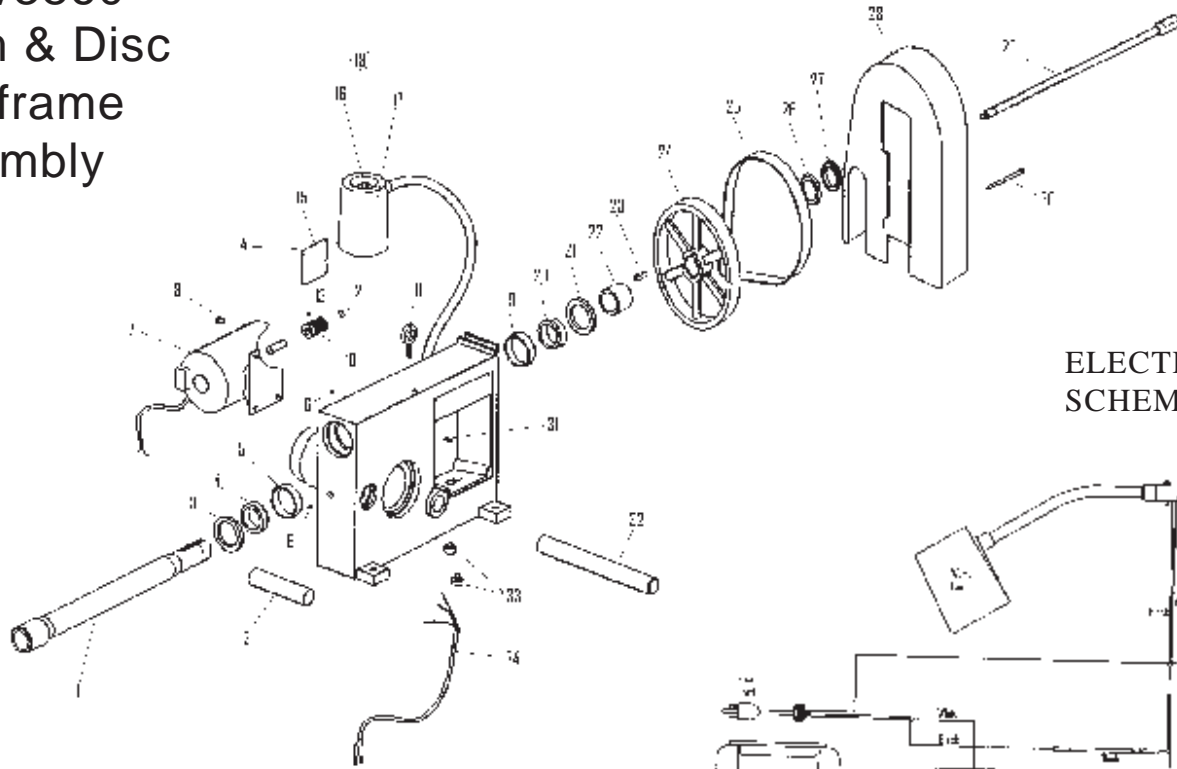
To order Call: (800) 321-8173 or Fax: (800) 899-1784

All names, numbers, symbols and descriptions are for reference purposes only, it is not implied that any part listed is the product of these manufacturers.

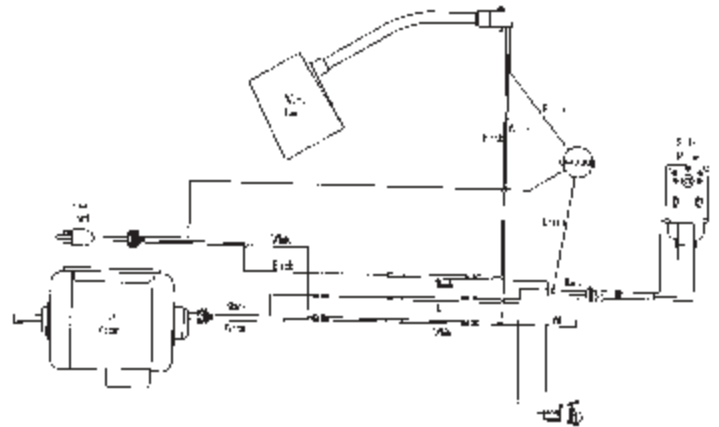


Brake Lathes

3850/3860 Drum & Disc Mainframe Assembly



ELECTRICAL
SCHEMATIC



Item #	SVI #	OEM #	Req	Description
1	BL-10460	29186	1	Spindle
2	BL-10461	29164	1	Rotor Feed Tube Protector
3	BL-10462	25704	1	Seal
4	BL-10463	25705	1	Bearing Cone
5	BL-10464	25706	1	Bearing Cup
6	BL-10465	100305	2	Grease Fitting
7	BL-10466	29266	1	Drive Motor
8	BL-10467	29212	4	Flat Head Hex Screw
10	BL-10468	29645	1	Motor Sheave
11	BL-10469	29282	1	Eye Bolt
12	BL-10470	29235	1	Internal Retaining Ring
13	BL-10471	29194	1	Socket Head Hex Capscrew
14	BL-10077	306	8	Drive Screw
15	BL-10472	29244	1	Serial Plate
16	BL-10069	22763	1	Lamp Switch
17	BL-10473	29236	1	Lamp Assembly
18	BL-10070	22764	1	Dust Boot

Item	SVI #	OEM #	Req	Description
19	BL-10474	25711	1	Bearing Cup
20	BL-10475	25710	1	Bearing Cone
21	BL-10476	25709	1	Seal
22	BL-10477	29169	1	Spacer
23	BL-10478	29203	1	Square Key
24	BL-10479	29644	1	Spindle Sheave
25	BL-10480	29646	1	Belt
26	BL-10388	6981	1	Spindle Bearing Lock Ring
27	BL-10389	6980	1	Spindle Bearing Adj Nut
28	BL-10481	29640	1	Pulley Cover
29	BL-10482	29184	1	Draw Bar
30	BL-10483	29232	1	Flat Hd Whz Lock Screw
31	BL-10484	6824	1	Screw
32	BL-10485	29163	1	Guide Bar
33	BL-10486	25783	2	Relief Strain
34	BL-10487	29239	1	Power Cord

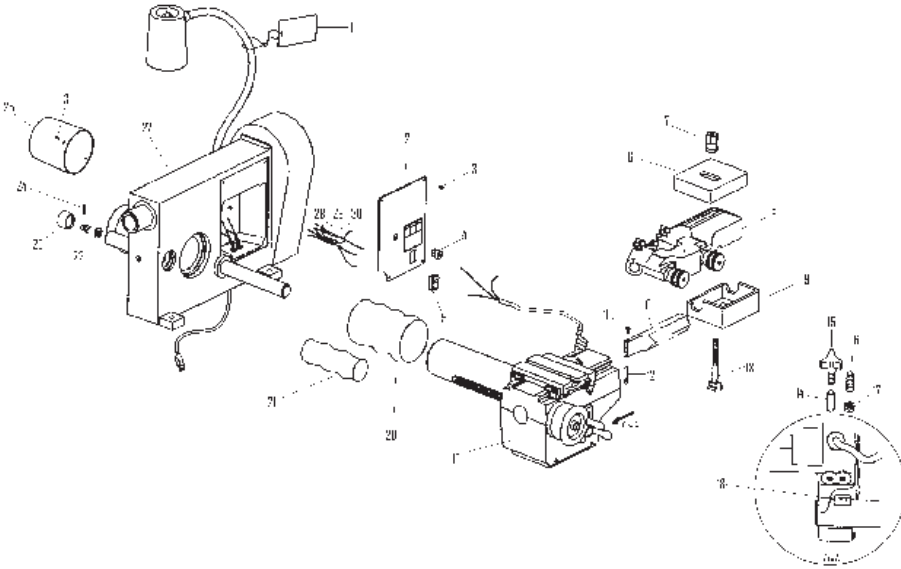
To order Call: (800) 321-8173 or Fax: (800) 899-1784

All names, numbers, symbols and descriptions are for reference purposes only, it is not implied that any part listed is the product of these manufacturers.



Brake Lathes

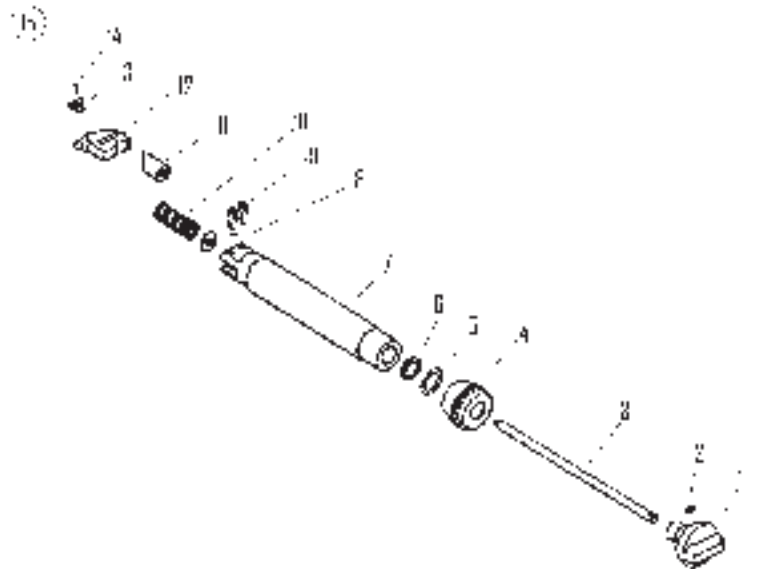
3850/3860 Lathe Assembly



Item	SVI#	OEM#	Req	Description
1	BL-10491	3559	1	Caution Card
2	BL-10492	29238	1	Electrical Panel
3	BL-10493	29227	6	Screw
4	BL-10494	21144	1	Strain Relief
5	BL-10495	29242	1	Switch
6	BL-10009	3017	1	Top clamp-boring bar
7	BL-10066	11227	1	Nut
8	BL-10496	28800	1	Twin Cutter Assy 3850
	BL-10497	29800	1	Twin Cutter Assy 3860
9	BL-10498	2066	1	Bottom clamp-boring bar
10	BL-10359	29240	1	Boring Bar Assy 3850
11	BL-10126	5689	1	Screw 3850
12	BL-30023	5390	1	Tool Bit Holder 3850
13	BL-10499	29259	1	Bolt
15	BL-10037	6854	1	Knob
16	BL-10502	29201	1	Screw
17	BL-10503	29230	1	Jam Nut
18	BL-10504	29187	1	Crossfeed Gib
19	BL-10505	29300	1	Crossfeed Assy
20	BL-10363	29191	1	Crsfd Boot/Ret Ring assy
21	BL-10362	29190	1	Lead Screw Bt/Ret Rg assy
22	BL-10506	29217	1	Washer
23	BL-10507	29216	1	Cap Plug
24	BL-10508	29181	1	Pin
25	BL-10509	29198	1	Cap, End, Crossfeed
27	BL-10510	29400	1	Mainframe Assy
28	BL-10511	29252	1	3-wire black wiring harness
29	BL-10512	29157	1	4-wire wiring harness
30	BL-10513	29155	1	3-wire red wiring harness

3860 Drum Boring Bar Assembly

Item	SVI #	OEM #	Req	Description
1	BL-10345	25751	1	Dial
2	BL-10030	3338	1	Screw
3	BL-10488	25755	1	Rod Dial
4	BL-10343	25752	1	Micrometer Dial
5	BL-10342	25758	1	Wave Washer
6	BL-10341	25759	1	External Ret. Ring
7	BL-10489	25753	1	Boring Bar
8	BL-10339	25757	2	Screw
9	BL-10338	24922	1	Washer
10	BL-10329	25756	1	Spring
11	BL-10337	25754	1	Sleeve
12	BL-10336	25762	1	Holder
13	BL-30002-2	6914-2	1	Bit (pkg of 2)
14	BL-30001	6499	1	Screw
15	BL-10490	25750	1	RH Tool Assembly



To order Call: (800) 321-8173 or Fax: (800) 899-1784

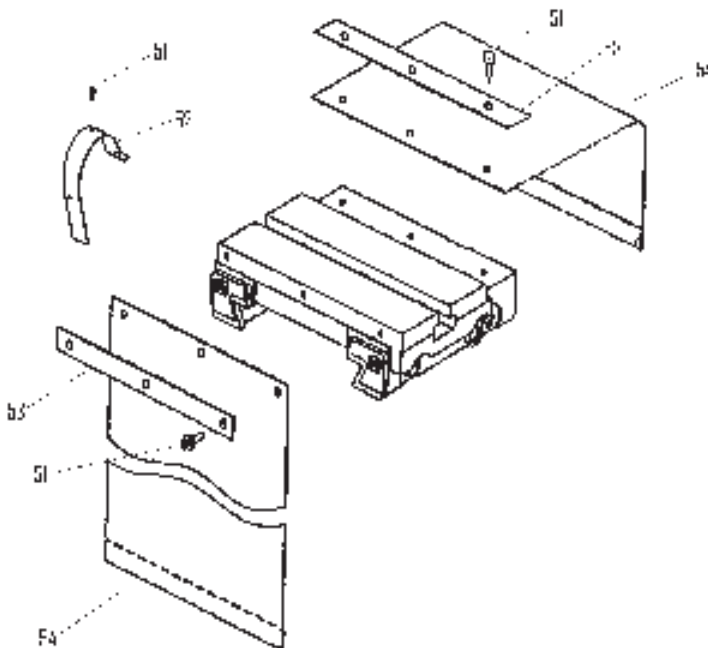
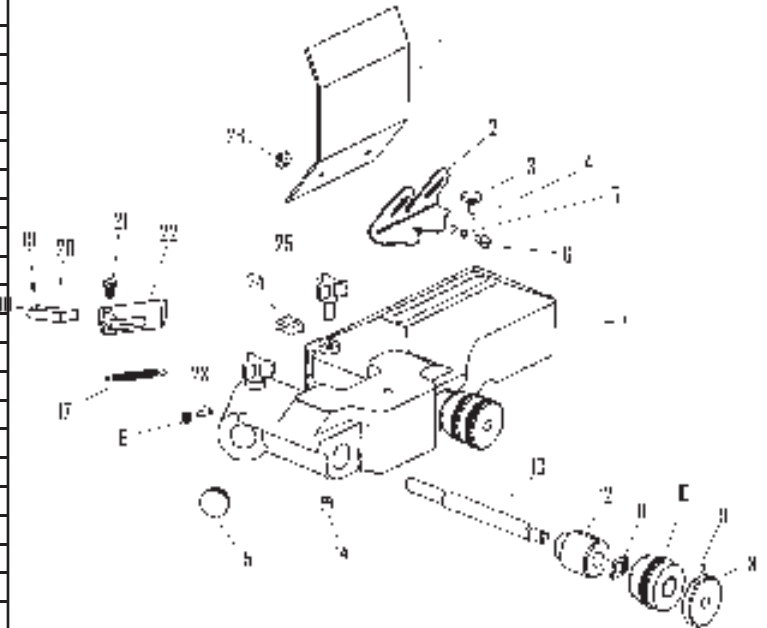
All names, numbers, symbols and descriptions are for reference purposes only, it is not implied that any part listed is the product of these manufacturers.



Brake Lathes

Item	SVI #	OEM #	Req	Description
1	BL-10064	11154	1	Shield
2	BL-10181	29254	1	Bracket
3	BL-10173	11152	1	Screw
4	BL-10514	4379	2	Washer
5	BL-10515	27592	2	Spacer
6	BL-10516	24100	2	Screw
7	BL-10377	28572	1	Twin Cutter Housing
8	BL-10141	6923	2	Dial Rod Knob
9	BL-10030	3338	2	Set Screw
10	BL-10138	6907	2	Micrometer Dial
11	BL-10142	6929	2	Spring Washer
12	BL-10137	6906	2	Dial Plug
13	BL-10139	6908	2	Dial Rod
14	BL-10129	6109	2	Set Screw
15	BL-10144	6977	1	Plug
16	BL-10031	3528	2	Hex Nut
17	BL-10136	6905	2	Spring
18	BL-30003	6918	2	Bit, Pos Rake for 3850
	BL-30002	6914	2	Bit, Neg Rake for 3860
19	BL-30001	6499	2	Screw
20	BL-30015	25968	1	RH Toolbit holder for 3850
	BL-30014	25969	1	LH Toolbit holder for 3850
	BL-30010	10701	1	RH Toolbit holder for 3860
	BL-30011	10702	2	LH Toolbit holder for 3860
21	BL-10052	9249	2	Screw
22	BL-30013	10650	1	LH Tool Holder
	BL-30012	10651	1	RH Tool Holder
23	BL-10165	9879	2	Locating Screw
24	BL-10180	28584	2	Gib, Tool Holder
25	BL-10037	6854	2	Knob
26	BL-10517	24557	2	Nut

3850/3860 Twin Cutter & Safety Shield



3850/3860 Crossfeed Assembly (Cont'd on 22)

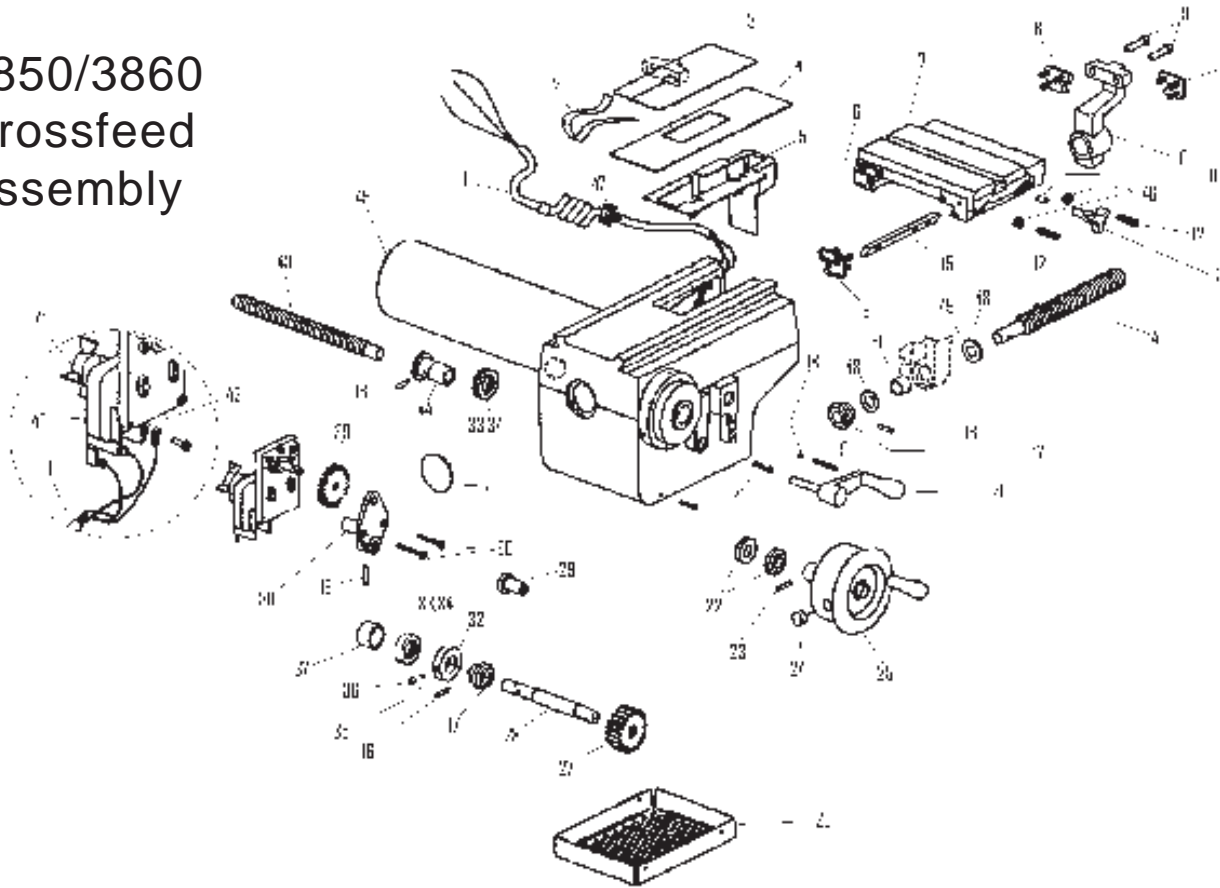
To order Call: (800) 321-8173 or Fax: (800) 899-1784

All names, numbers, symbols and descriptions are for reference purposes only, it is not implied that any part listed is the product of these manufacturers.



Brake Lathes

3850/3860 Crossfeed Assembly



Item	SVI #	OEM #	Req	Description
1	BL-10518	29253	1	Pigtail Cord
2				Electrical Tape
3	BL-10519	29205	1	Top Cover
4	BL-10520	29204	1	Bottom Cover
5	BL-10521	29202	1	Drum Slide Cover
6	BL-10522	29207	2	RH Wiper, Tool Slide
7	BL-10523	29156	1	Drum Slide
8	BL-10524	29206	2	LH Wiper, Tool Slide
9	BL-10526	29231	2	Cap Screw
10	BL-10527	29174	1	Nut, Drum Slide
11	BL-10528	29229	1	Brass Plug
12		29199	2	Screw
13	BL-10037	6854	1	Knob
14	BL-10529	29183	1	Lead Screw
15	BL-10530	29170	1	Gib, Slide Tool
16	BL-10508	29181	4	Drive Lock Groove Pin
17	BL-10531	29182	1	Miter Gear
18	BL-10532	24008	4	Ball
19	BL-10533	29167	1	Spring
20	BL-10534	29166	1	Handle Assy-Drive Mtr Eng.
21	BL-10535	29246	4	Self-tapping Screw
22	BL-10536	40279	2	Wiper Ring
23	BL-10537	6424	1	Roll pin
24	BL-10538	40483	2	Dome Plug
25	BL-10539	29171	1	Handwheel Assy
26	BL-10540	29245	1	Bottom Crossfeed Cover
27	BL-10541	29213	1	Driven Gear

Item	SVI #	OEM #	Req	Description
28	BL-10542	29224	1	Shaft
29	BL-10543	29333	1	Bushing
30	BL-10544	29234	2	Socket Hd Capscrew
31	BL-10111	3166	1	Expansion Plug
32	BL-10545	29276	1	Bearing Collar
33	BL-10546	29220	4	Race, Thrust
34	BL-10547	29221	2	Bearing, Thrust
35	BL-10100	3141	1	Copper Plug
36	BL-10471	29194	1	Screw
37	BL-10548	29223	1	Bronze Bushing
38	BL-10549	29175	1	Drive Motor Bracket
39	BL-10550	29214	1	Drive Gear
40	BL-10551	29233	1	Slide Motor
41	BL-10552	26321-1	1	Slide Motor Fan
42	BL-10263	3910	1	Washer
43	BL-10553	29218	1	Rotor Feed Lead Screw
44	BL-10554	29219	1	Coupler Assy
45	BL-10555	29158	1	Crossfeed
46	BL-10556	29211	2	Locknut
47	BL-10486	25783	1	Strain Relief
48	BL-10557	29178	3	Race, Thrust
49	BL-10558	29179	1	Bearing, Thrust
50	BL-10559	29180	1	Bronze Bushing
51	BL-10560	27361	9	Screw
52	BL-10561	40485	1	Handwheel Shield
53	BL-10562	40484	2	LH Cover Strip
54	BL-10563	40486	2	LH Assy Cover

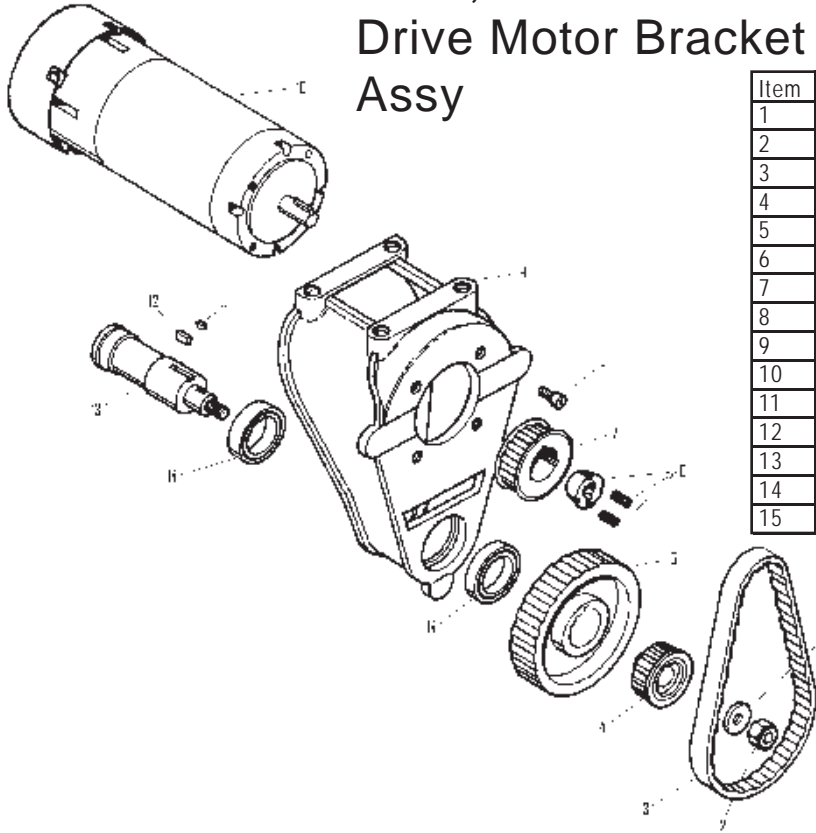
To order Call: (800) 321-8173 or Fax: (800) 899-1784

All names, numbers, symbols and descriptions are for reference purposes only, it is not implied that any part listed is the product of these manufacturers.



Brake Lathes

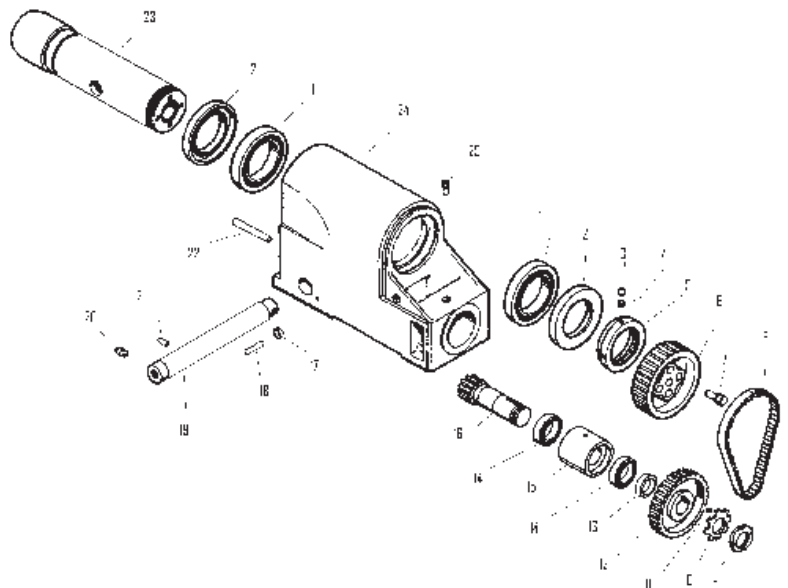
6000, 6002 Drive Motor Bracket Assy



Item	SVI #	OEM #	Req	Description
1	BL-10564	906941	1	Washer
2	BL-10565	920896	1	Lock Nut
3	BL-10566	920897	1	Drive Belt
4	BL-10567	921315	1	Pulley
5	BL-10568	921072	1	Pulley
6	BL-10569	920898	1	Taper lock bushing w/screws
7	BL-10570	920899	1	Pulley
8	BL-10571	905578	4	Cap screws
9	BL-10572	920761	1	Drive Bracket
10	BL-10573	922695	1	Drive Motor w/ Key
11	BL-10574	920918	1	Woodruff Key
12	BL-10575	905022	1	Key
13	BL-10576	921071	1	Lower Pulley Shaft
14	BL-10577	905505	2	Bearing
15	BL-10578	921756	2	Replacement Brush

Item	SVI #	OEM #	Req	Description
1	BL-10579	921263	2	Bearing
2	BL-10580	921264	2	Seal
3	BL-10581	902993	1	Set Screw
4	BL-10582	921267	1	Nylon Plug
5	BL-10583	921261	1	Bearing Locknut
6	BL-10584	920762	1	Spindle Pulley
7	BL-10585	905535	4	Cap Screw
8	BL-10586	921265	1	Drive Belt
9	BL-10587	905508	1	Lock Nut
10	BL-10588	905510	1	Bearing Lock Washer
11	BL-10575	905022	1	Key
12	BL-10568	921072	1	Pulley
13	BL-10591	925665	1	Spacer
14	BL-10577	905505	2	Bearing
15	BL-10592	921262	1	Counter Shift Bushing
16	BL-10593	921671	1	Pulley Shft Assy
17	BL-10031	903528	2	Jam Nut
18	BL-10594	905543	2	Set Screw
19	BL-10595	922596	2	Lead Screw & Nut assy
20	BL-10036	906853	2	Grease Fitting
21	BL-10317	904096	2	Roll Pin
22	BL-10596	921273	2	Lock Rod
23	BL-10597	920760	1	Spindle
24	BL-10598	920752	1	Spindle Housing
25	BL-10571	905578	1	Cap Screw

6000, 6002 Spindle Housing Assy



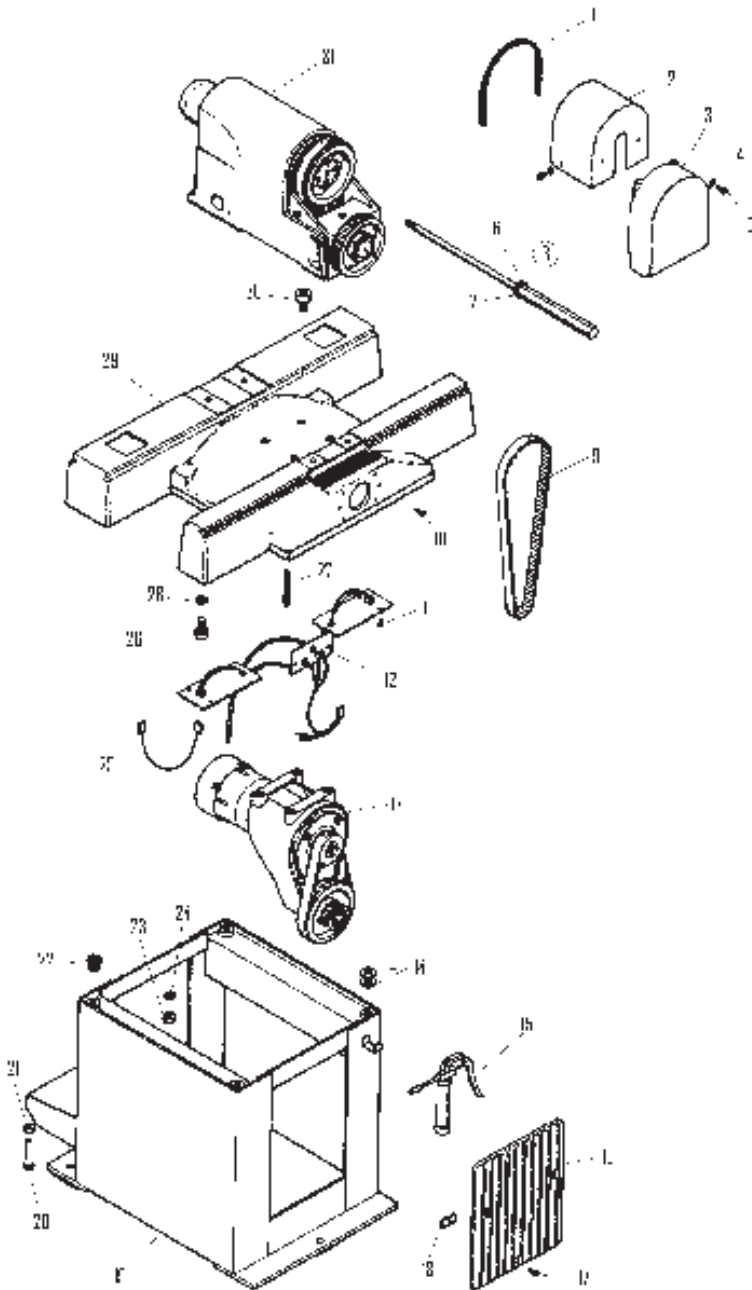
To order Call: (800) 321-8173 or Fax: (800) 899-1784

All names, numbers, symbols and descriptions are for reference purposes only, it is not implied that any part listed is the product of these manufacturers.



Brake Lathes

6000, 6002 Base & Bead Assy



Item	SVI #	OEM #	Req	Description
1	BL-10589	922487	1	Upper Belt Guard Seal
2	BL-10590	921156	1	Upper Belt Guard
3	BL-10514	904379	4	Washer
4	BL-10599	902799	4	Cap Screw
5	BL-10600	921157	1	Lower Belt Guard
6	BL-10601	922127	1	Retaining Ring
7	BL-10602	921331	1	Drawbar Washer
8	BL-10603	921327	1	Drawbar Assy
9	BL-10604	921281	1	Drive Belt
10	BL-10605	921061	2	Screw
11	BL-10606	921986	4	Screw
12	BL-10607	921226	1	Bed Wiring Assy
13	BL-10608	921118	1	Motor Bracket Assy
14	BL-10609	921225	3	Spherical Washer Set
15	BL-10610	921654	1	Grease Gun
16	BL-10611	920880	2	Access Panel
17	BL-10612	921255	6	Nylock Cap Screw
18	BL-10613	921222	6	Access Lock
19	BL-10614	921208	1	Base Weldment
20	BL-10615	906052	2	Screw
21	BL-10616	906123	2	Nut
22	BL-10617	905095	1	Jack Screw
23	BL-10618	920938	4	Nut
24	BL-10619	920937	4	Lock Washer
25	BL-10620	921300	2	Jumper Wire
26	BL-10585	905535	4	Screw
27	BL-10621	921507	4	Stud
28	BL-10622	903476	4	Lock Washer
29	BL-10623	920753	1	Bed
30	BL-10624	901218	4	Screw
31	BL-10625	921259	1	Spindle Housing Assy

To order Call: (800) 321-8173 or Fax: (800) 899-1784

All names, numbers, symbols and descriptions are for reference purposes only, it is not implied that any part listed is the product of these manufacturers.

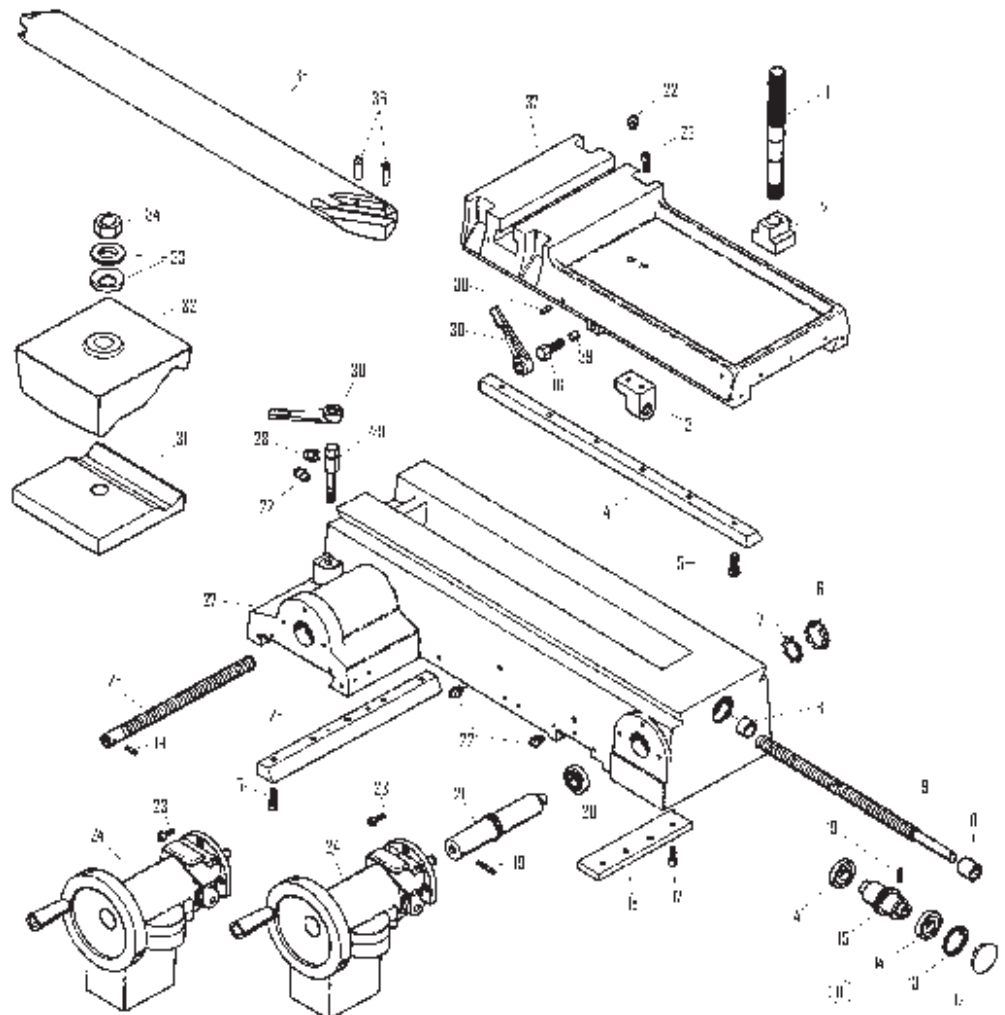


Brake Lathes

Item	SVI #	OEM #	Req	Description
1	BL-10626	921326	1	Stud
2	BL-10627	921325	1	"T" Nut
3	BL-10628	921069	1	Lead Screw Nut
4	BL-10629	921239	1	Cross Slide Gib
5	BL-10612	921255	11	Cap Screw
6	BL-10312	906446	1	Plug Button
7	BL-10630	922135	1	Retaining Ring
8	BL-10631	905244	1	Spacer
9	BL-10632	921235	1	Lead Screw
10	BL-10633	922762	1	Spacer
11	BL-10634	921234	1	Lead Screw Assy
12	BL-10635	922136	1	Plug Button
13	BL-10636	921244	1	Retaining Ring
14	BL-10637	921233	2	Bearing
15	BL-10638	921236	1	Shaft
16	BL-10639	921242	1	Lock Stud
17	BL-10640	906772	4	Cap Screw
18	BL-10641	921245	1	Hold Down
19	BL-10537	906424	3	Roll Pin
20	BL-10642	921707	1	Bearing
21	BL-10643	921286	1	Driving Shaft

Item	SVI #	OEM #	Req	Description
22	BL-10644	902999	4	Grease Fitting
23	BL-10645	921256	8	Cap Screw
24	BL-10646	920850	2	Gear Box Assy
25	BL-10647	921240	1	Saddle Gib
26	BL-10648	921308	1	Lead Screw
27	BL-10649	922599	1	Saddle, RH
	BL-10650	922598	1	Saddle, LH
28	BL-10378	905639	1	E-Ring
29	BL-10651	921241	1	Lock Stud
30	BL-10652	920673	2	Lock Handle
31	BL-10653	923516	1	Boring Bar Base Plate
32	BL-10654	923517	1	Top Boring Bar Clamp
33	BL-10655	905198	1	Washer Set
34	BL-10656	905190	1	Clamp Nut
35	BL-10657	906669	1	Boring Bar
36	BL-10126	905689	2	Screw
37	BL-10658	920754	1	Cross Slide, RH
	BL-10659	920755	1	Cross Slide, LH
38	BL-10660	906940	1	Roll Pin
39	BL-10661	921243	1	Plug

6000, 6002
Saddle Assy



To order Call: (800) 321-8173 or Fax: (800) 899-1784

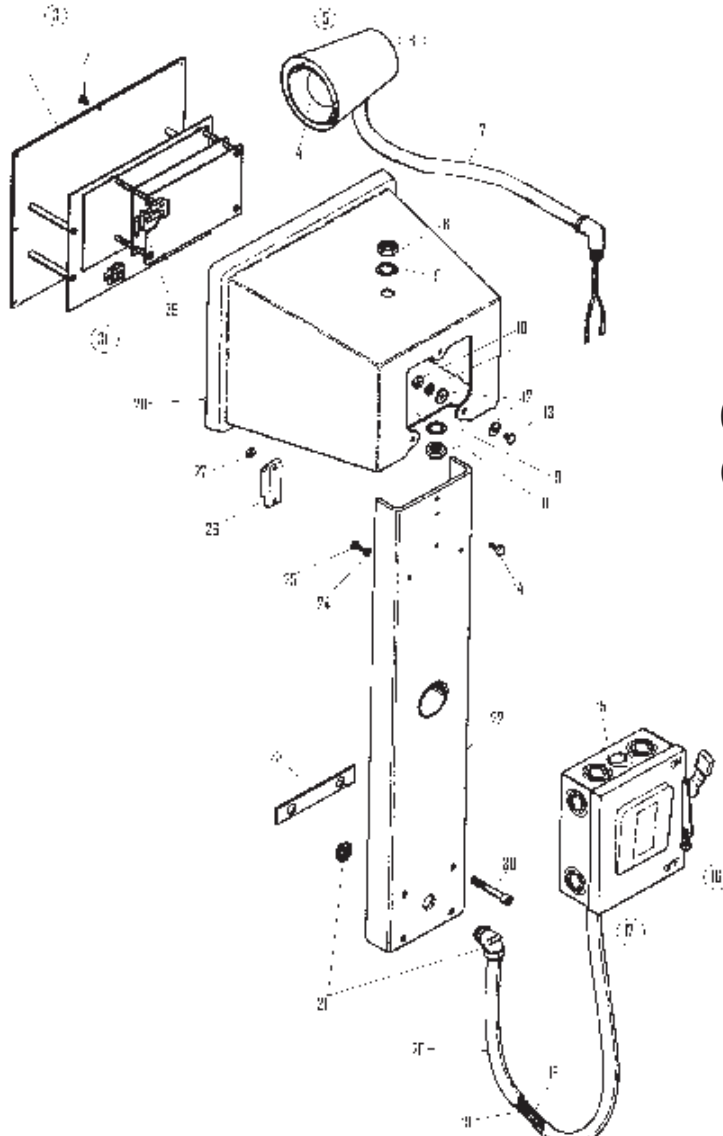
All names, numbers, symbols and descriptions are for reference purposes only, it is not implied that any part listed is the product of these manufacturers.



Brake Lathes

Item	SVI #	OEM #	Req	Description
1	BL-10662	921301	1	Control Panel Assy
2	BL-10663	921094	8	Screw
3	BL-10664	921762	1	Pilot lamp - Not Shown For Main Power Switch
4	BL-10665	922034	1	50 Watt Bulb, 220 V
5	BL-10666	925902	1	O-ring Bulb seal-not shown
6	BL-10069	922763	1	Repl. Lamp Switch/Socket
	BL-10070	922764	1	Lamp Switch Dust Boot kit
7	BL-10667	921409	1	Lamp Assy
8	BL-10668	921411	2	Nut
9	BL-10669	921412	2	Lock Washer
10	BL-10031	903528	3	Nut
11	BL-10670	905592	3	Lock Washer
12	BL-10671	900336	6	Washer
13	BL-10672	905544	3	Screw
14	BL-10673	922030	2	Screw
15	BL-10674	922033	1	Disconnect Box Assy
	BL-10675	922482	1	CSA Disc. Box Assy

Item	SVI #	OEM #	Req	Description
16	BL-10676	922481	2	20 amp,250V, Class k5, Dual Element Cart. Fuse
17	BL-10677	921448	1	Straight Connector
18	BL-10678	921451-02		12-1/2 Line Wire
19	BL-10679	921451-01		12-1/2 Line Wire
20	BL-10680	921449	6	Liquid Tight Flexible Conduit
21	BL-10681	921447	1	90 degree Connector
22	BL-10682	921332	1	Post Weldment
23	BL-10683	921324	1	Shim
24	BL-10080	901926	1	Lock Washer
25	BL-10179	921972	1	Screw
26	BL-10684	921336	1	Terminal Block
27	BL-10685	906492	2	Nut
28	BL-10686	920764	1	Control Box
29	BL-10687	922031	4	.5 amp, 250V slow-blow fuse
30	BL-10688	921228	4	Cap Screw



6000,6002
Control Box Assembly

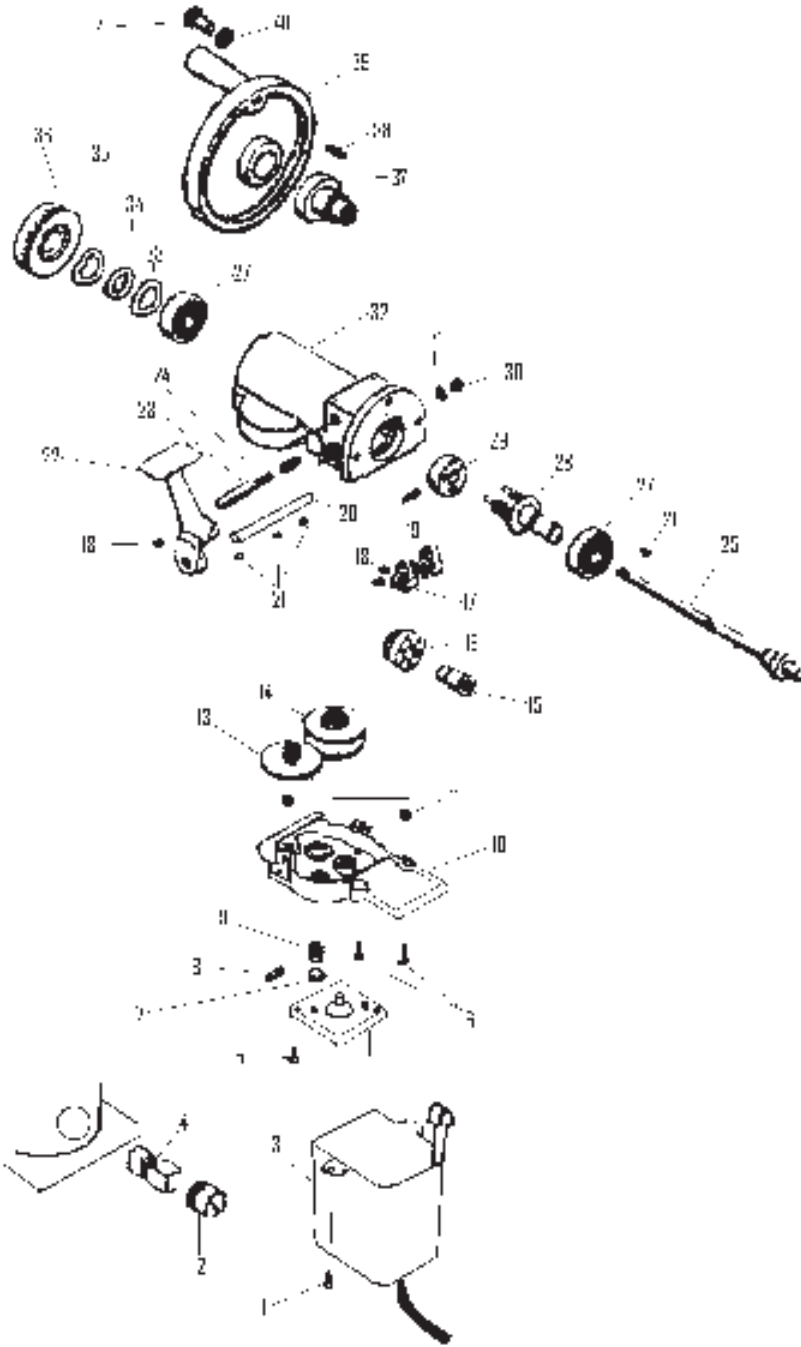
To order Call: (800) 321-8173 or Fax: (800) 899-1784

All names, numbers, symbols and descriptions are for reference purposes only, it is not implied that any part listed is the product of these manufacturers.



Brake Lathes

6000, 6002 Gear Box Assy



Item	SVI #	OEM #	Req	Description
1	BL-10689	921083	1	Motor Cover Assy
2	BL-10690	922003	2	Replacement Brush
3	BL-10125	905646	4	Cap Screw
4	BL-10293	906254	2	Cap Screw
5	BL-10691	925920	1	Washer
6	BL-10692	900205	4	Cap Screw
7	BL-10693	922001	1	Washer
8	BL-10694	904292	1	Roll Pin
9	BL-10695	922002	1	Gear
10	BL-10696	920830	1	Cover
11	BL-10697	921502	2	Bushing
13	BL-10698	921066	1	Gear Assy
14	BL-10699	921065	1	Gear Assy
15	BL-10700	920839	1	Bushing
16	BL-10701	920841	1	Bevel Gear
17	BL-10702	920834	2	Shifter
18	BL-10074	900213	3	Set Screw
19	BL-10703	903826	1	Roll Pin
20	BL-10704	920835	1	Shaft
21	BL-10434	906971	4	Woodruff Key
22	BL-10705	920837	1	Handle
23	BL-10706	920854	1	Plunger
24	BL-10707	920870	1	Spring
25	BL-10708	920847	1	Shaft
27	BL-10709	920861	2	Bearing
28	BL-10710	920859	1	Clutch Assy
29	BL-10711	920846	1	Clutch Block
30	BL-10712	921067	1	Screw
31	BL-10292	904789	1	Washer
32	BL-10713	920829	1	Gear Case
33	BL-10714	906289	1	Retaining Ring
34	BL-10715	921081	1	Wave Washer
35	BL-10716	921080	1	Feed Dial
36	BL-10300	906451	1	Washer
37	BL-10103	903184	1	Lock Nut
38	BL-10717	920862	1	Plug
39	BL-10718	920832	1	Hand Wheel
40	BL-10719	920852	1	Handle
41	BL-10720	904639	1	O-ring
42	BL-10721	922005	1	Motor & Gear Assy
				Includes #7,8,9

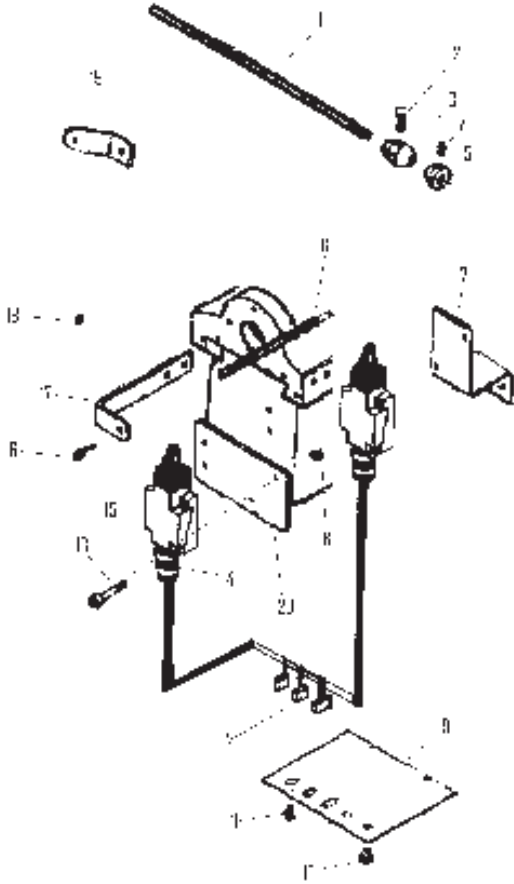
To order Call: (800) 321-8173 or Fax: (800) 899-1784

All names, numbers, symbols and descriptions are for reference purposes only, it is not implied that any part listed is the product of these manufacturers.



Brake Lathes

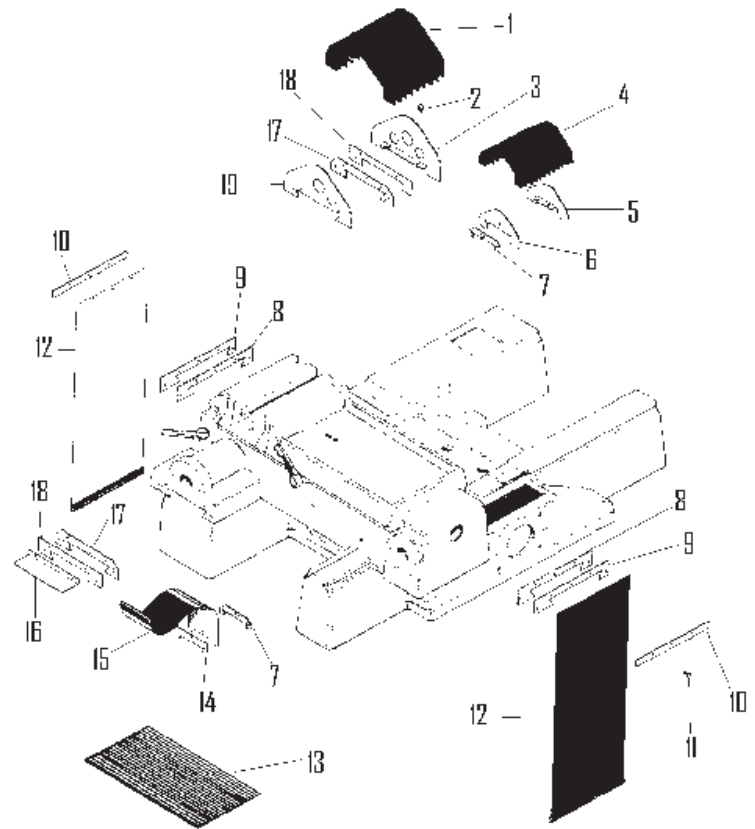
6000, 6002 Limit Switch Assy



Item	SVI #	OEM #	Req	Description
1	BL-10722	22588	2	Cross Slide Rod
2	BL-10016	3084	6	Lock Screw
3	BL-10723	22589	6	Adjustable Stop
4	BL-10030	3338	8	Set Screw
5	BL-10724	22591	8	End Stop
6	BL-10725	22587	2	Saddle Rod
7	BL-10726	22592	2	Cross Slide Microswitch Bracket
8	BL-10727	11213	8	Nut
9	BL-10728	21253	2	Saddle Cover
10	BL-10729	20259	4	Cord Grip
11	BL-10606	21986	8	Self Tapping Screw w/washer
12	BL-10730	22603	1	RH Limit Switch Wring harness
	BL-10731	22602	1	LH Limit Switch Wiring Harness
13	BL-10732	22585	8	Socket Head Screw
14	BL-10733	22583	4	Cord Grip
15	BL-10734	22582	4	Microswitch
16	BL-10735	2189	22	Hex Head Screw
17	BL-10736	22594	2	Saddle Rod Bracket
18	BL-10514	4379	4	Washer
19	BL-10737	22590	2	Cross Slide Rod Bracket
20	BL-10738	22593	2	Saddle Microswitch Bracket

6000, 6002 Dovetail Wipers & Covers

Item	SVI #	OEM #	Req	Description
1	BL-10739	21279	2	Front Cover
2	BL-10606	21986	8	Self Tapping screw w/washer
3	BL-10740	21280	2	Inner Front Cover
4	BL-10741	21271	2	Inner Rear Cover
5	BL-10742	21272	2	Cover Bracket
6	BL-10743	21270	2	Inner, Rear Wiper Shield
7	BL-10744	21269	4	Rear Wiper
8	BL-10745	21304	4	Wiper
9	BL-10746	21303	4	Wiper Shield
10	BL-10747	21302	4	Cover Shield
11	BL-10748	21985	48	Hex head self tapping screw
12	BL-10749	21305	4	Dovetail Cover Assy
13	BL-10750	21731	1	RH Cross Slide Mat
	BL-10751	21732	1	LH Cross Slide Mat
14	BL-10752	21285	2	Outer Wiper Shield
15	BL-10753	21282	2	Outer, Rear Cover Assy
16	BL-10754	21288	2	Outer Dovetail Cover
17	BL-10755	21277	2	Front Wiper
18	BL-10756	21287	4	Outer Wiper Shield
19	BL-10757	21278	4	Inner Front Wiper Shield



To order Call: (800) 321-8173 or Fax: (800) 899-1784

All names, numbers, symbols and descriptions are for reference purposes only, it is not implied that any part listed is the product of these manufacturers.



SVI International Inc.

on the web @

Page 40

www.sviinternational.com

Brake Lathes



A Family owned American enterprise

To order Call: (800) 321-8173 or Fax: (800) 899-1784

All names, numbers, symbols and descriptions are for reference purposes only, it is not implied that any part listed is the product of these manufacturers.