

Product Information

Vacuum Quick Access Doors are designed to gain immediate access to load locks and chambers to load and unload substrates. **AdvanTorr** offers two styles including a blank door only or a door with integrated viewport to allow for viewing access.

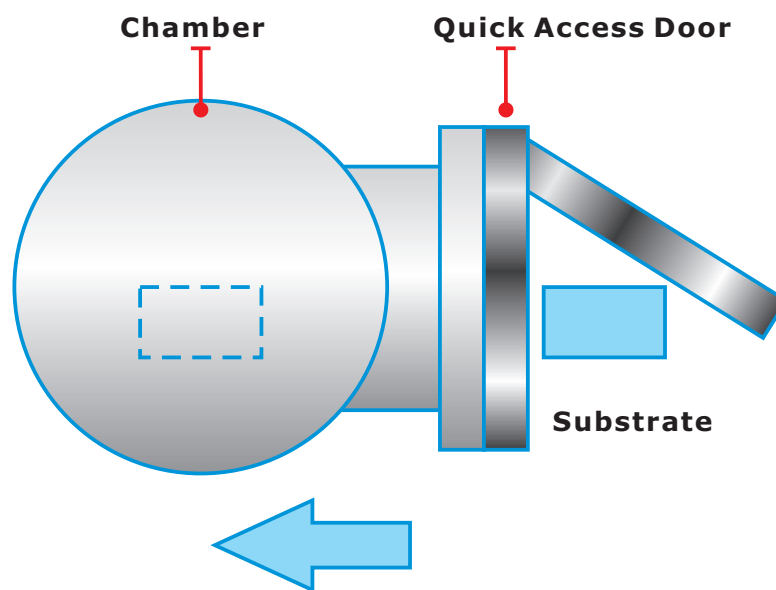
Optional high-grade SS316L material is available where higher purity with a low outgassing rate is required.

Product Features

System Components

- Available in a range of flange sizes with and without integrated viewport.
- SS304L material as standard with option for higher-grade SS316L.
- Precision hinged door with reliable FKM O-ring seal.
- CF port mounts.
- Can be installed in any position.

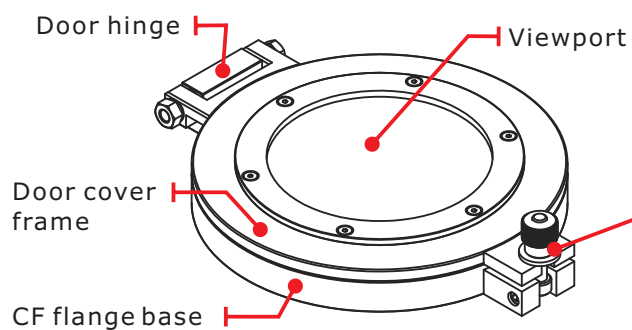
Product Application



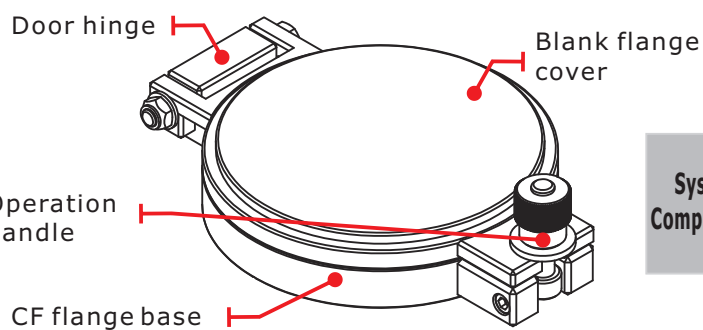
Substrate can transfer from atmosphere to vacuum chamber via quick access door

Key Product Parts

Viewport type



Blank flange type



System Components

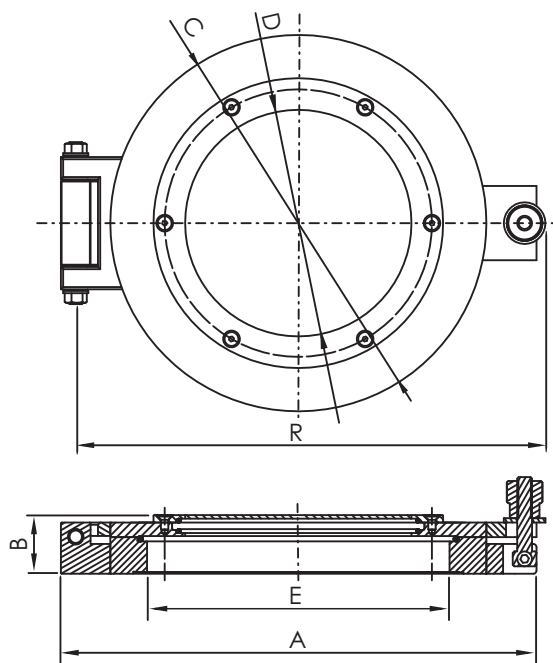
Technical Data for Quick Access Doors

Door seal	FKM
Mounting seal	OFHC gasket
Operate pressure range	760 Torr ~ 1×10^{-8} Torr 1,000 mbar ~ 1.33×10^{-8} mbar 100 kPa ~ 1.13×10^{-9} kPa
Leak rate	1×10^{-9} Torr l/s, He 1.33×10^{-9} mbar l/s, He 1.13×10^{-10} kPa l/s, He
Temperature range	-20°C (-4°F) ~ 150°C (302°F)
Bake temperature	100°C (212°F)
Body material	SS304L
Hinge material	Optional high-grade SS31 6L material
Viewport material	Glass (only with viewport version)
Mounting position	Any



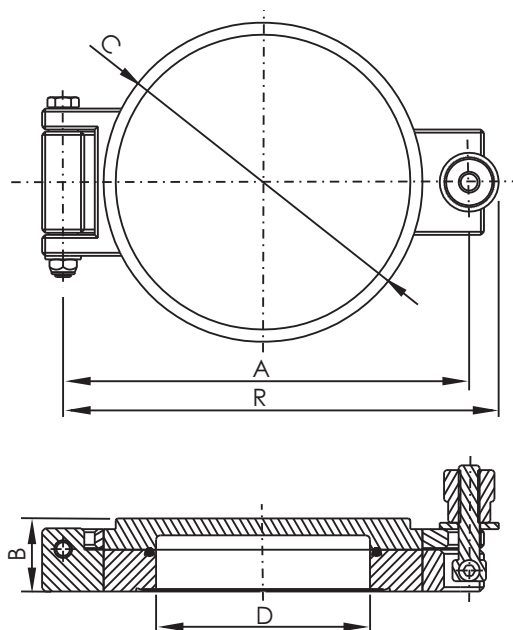
Product Order Information

System Components



Quick Access Door - Viewport Type

Part Number	Flange Size	A	B	C	D	E
QDV-CF-450	CF4.5"	177	32	114	64	64
QDV-CF-600	CF6"	215	35	152	102	102
QDV-CF-800	CF8"	276	37	202	152	153
QDV-CF-1000	CF10"	326	39	253	152	204



Quick Access Door - Blank Flange Type

Part Number	Flange Size	A	B	C	D
QDB-CF-450	CF4.5"	177	32	114	64
QDB-CF-600	CF6"	217	35	152	102
QDB-CF-800	CF8"	276	37	202	153
QDB-CF-1000	CF10"	326	39	253	204