



DEPARTMENT OF REGULATORY AND ECONOMIC RESOURCES (RER)
BOARD AND CODE ADMINISTRATION DIVISION

MIAMI-DADE COUNTY
PRODUCT CONTROL SECTION
11805 SW 26 Street, Room 208
Miami, Florida 33175-2474
T (786) 315-2590 F (786) 315-2599

www.miamidade.gov/economy

NOTICE OF ACCEPTANCE (NOA)

Phoenix Architectural Products, Inc.
3075 Jonquil Drive S.E.
Smyrna, GA 30080

SCOPE:

This NOA is being issued under the applicable rules and regulations governing the use of construction materials. The documentation submitted has been reviewed and accepted by Miami-Dade County RER- Product Control Section to be used in Miami Dade County and other areas where allowed by the Authority Having Jurisdiction (AHJ).

This NOA shall not be valid after the expiration date stated below. The Miami-Dade County Product Control Section (In Miami Dade County) and/or the AHJ (in areas other than Miami Dade County) reserve the right to have this product or material tested for quality assurance purposes. If this product or material fails to perform in the accepted manner, the manufacturer will incur the expense of such testing and the AHJ may immediately revoke, modify, or suspend the use of such product or material within their jurisdiction. RER reserves the right to revoke this acceptance, if it is determined by Miami-Dade County Product Control Section that this product or material fails to meet the requirements of the applicable building code.

This product is approved as described herein, and has been designed to comply with the High Velocity Hurricane Zone of the Florida Building Code.

DESCRIPTION: "Sure guard 2009" Window Security Barrier System

APPROVAL DOCUMENT: Drawing No. SG09-12, titled "Sure Guard 2009 / Window Security Barrier System", sheets 1 through 8 of 8, prepared by V.M. Engineering, last revision #1 dated Sept. 26, 2017, signed and sealed by Morgan Villanueva, P.E., on Sept. 27, 2017 bearing the Miami-Dade County Product Control Revision stamp with the Notice of Acceptance number and the expiration date by the Miami-Dade County Product Control Section.

MISSILE IMPACT RATING: Large and Small Missile Impact Resistant

LABELING: Each unit shall bear a permanent label with the manufacturer's name or logo, city, state, the following statement: "Miami-Dade County Product Control Approved", and NOA number, per TAS-201, TAS-202, and TAS-203, unless otherwise noted herein.

RENEWAL of this NOA shall be considered after a renewal application has been filed and there has been no change in the applicable building code negatively affecting the performance of this product.

TERMINATION of this NOA will occur after the expiration date or if there has been a revision or change in the materials, use, and/or manufacture of the product or process. Misuse of this NOA as an endorsement of any product, for sales, advertising or any other purposes shall automatically terminate this NOA. Failure to comply with any section of this NOA shall be cause for termination and removal of NOA.

ADVERTISEMENT: The NOA number preceded by the words Miami-Dade County, Florida, and followed by the expiration date may be displayed in advertising literature. If any portion of the NOA is displayed, then it shall be done in its entirety.

INSPECTION: A copy of this entire NOA shall be provided to the user by the manufacturer or its distributors and shall be available for inspection at the job site at the request of the Building Official.

This NOA revises NOA #15-0427.14 and consists of this page 1, evidence submitted pages E-1 & E-2 as well as approval document mentioned above.

The submitted documentation was reviewed by **Helmy A. Makar, P.E., M.S.**



Helmy A. Makar
01/18/2018

NOA No. 17-1005.09
Expiration Date: 06/23/2020
Approval Date: 01/18/2018
Page 1

Phoenix Architectural Products, Inc.

NOTICE OF ACCEPTANCE: EVIDENCE SUBMITTED

1. EVIDENCE SUBMITTED UNDER PREVIOUS APPROVAL #09-0928.01

A. DRAWINGS

1. *Drawing No. SG09-01, titled " Sure Guard 2009 / Window Security Barrier System", sheets 1 through 8 of 8, prepared by V.M. Engineering, dated 07/08/2009, last revision #1 dated May 30, 2010, signed and sealed by Morgan Villanueva, P.E.*

B. TESTS

1. *Test report on Large Missile Impact Test, Cyclic Wind Pressure Test and Uniform Static Air Pressure Test of Galvanized Steel perforated panel window security barrier system, prepared by Fenestration Testing Laboratory, Inc., Report No. 5709, dated January 14, 2009, signed and sealed by Julio E. Gonzalez, P.E.*

C. CALCULATIONS

1. *Anchor calculations dated September 21, 2009, 15 pages, prepared by V.M. Engineering, signed and sealed by Morgan Villanueva, P.E.*

D. QUALITY ASSURANCE

1. *By Miami-Dade County Building Code Compliance Office.*

E. MATERIAL CERTIFICATIONS

1. *Mill Certified Inspection Report issued by North American Stainless, Inc., dated August 19, 2004, with chemical analysis and mechanical properties for Galvanized Steel perforated panel.*

2. EVIDENCE SUBMITTED UNDER PREVIOUS APPROVAL #12-0202.01

A. DRAWINGS

1. *Drawing No. SG09-12, titled " Sure Guard 2009 / Window Security Barrier System", sheets 1 through 8 of 8, prepared by V.M. Engineering, dated 01/31/2012, last revision #2 dated 01/31/2012, signed and sealed by Morgan Villanueva, P.E.*

B. TESTS

1. *None.*

C. CALCULATIONS

1. *None.*

D. QUALITY ASSURANCE

1. *By Miami-Dade County Department of Permitting, Environment, and Regulatory Affairs (PERA).*

E. MATERIAL CERTIFICATIONS

1. *None.*



Helmy A. Makar, M.S., P.E.
Product Control Section Supervisor

NOA No. 17-1005.09

Expiration Date: 06/23/2020

Approval Date: 01/18/2018

Phoenix Architectural Products, Inc.

NOTICE OF ACCEPTANCE: EVIDENCE SUBMITTED

3. EVIDENCE SUBMITTED UNDER PREVIOUS APPROVAL #15-0427.14

A. DRAWINGS

1. *Drawing No. SG09-12, titled "Sure Guard 2009 / Window Security Barrier System", sheets 1 through 8 of 8, prepared by V.M. Engineering, last revision #3 dated April 22, 2015, signed and sealed by Morgan Villanueva, P.E.*

B. TESTS

1. *None.*

C. CALCULATIONS

1. *None.*

D. QUALITY ASSURANCE

1. *By Miami-Dade County Department of Regulatory and Economic Resources (RER).*

E. MATERIAL CERTIFICATIONS

1. *None.*

F. OTHERS

1. *Florida Building Code, 2014 Edition, compliance letter, prepared by V.M. Engineering, dated May 12, 2015, signed and sealed by Morgan Villanueva, P.E.*

4. NEW EVIDENCE SUBMITTED

A. DRAWINGS

1. *Drawing No. SG09-12, titled "Sure Guard 2009 / Window Security Barrier System", sheets 1 through 8 of 8, prepared by V.M. Engineering, last revision #1 dated Sept. 26, 2017, signed and sealed by Morgan Villanueva, P.E., on Sept. 27, 2017.*

B. TESTS

1. *None.*

C. CALCULATIONS

1. *None.*

D. QUALITY ASSURANCE

1. *By Miami-Dade County Department of Regulatory and Economic Resources (RER).*

E. MATERIAL CERTIFICATIONS

1. *None.*

F. OTHERS

1. *Florida Building Code, 2017 Edition, compliance letter, prepared by V.M. Engineering, dated Sept. 27, 2017, signed and sealed by Morgan Villanueva, P.E.*



Helmy A. Makar, M.S., P.E.
Product Control Section Supervisor

NOA No. 17-1005.09

Expiration Date: 06/23/2020

Approval Date: 01/18/2018

GENERAL NOTES FOR NOA SCREEN

1. THIS SHUTTER "SURE GUARD PLUS 2009" HAS BEEN VERIFIED IN ACCORDANCE WITH SECTIONS 1609 OF THE FLORIDA BUILDING CODE EDITION 2017, AS PER TAS 201-94, TAS 202-94 & TAS 203-94 OF THE TEST PROTOCOLS FOR HIGH-VELOCITY HURRICANES ZONES, AND AS PER FENESTRATION TESTING LABORATORY INC. WITH TEST REPORT NO. 5709.

THE DESIGN LOADS COMPLY WITH SECTION 1620 OF THE FLORIDA BUILDING CODE EDITION 2017. THE WIND PRESSURES SHOWN ON SHEETS (4 OF 8) AND (5 OF 8) IN THIS DOCUMENTS ARE AS PER FBC 2017 EDITION (ALLOWABLE SERVICE DESIGN), TO OBTAIN THE EQUIVALENT ULTIMATE WIND PRESSURES, DIVIDE THE WIND PRESSURES SHOWN IN THE TABLES ON SHEETS (4 OF 8) AND (5 OF 8) OF THIS DOCUMENT BY 0.6 FACTOR (ULTIMATE FACTOR DESIGN). IN ORDER TO VERIFY THAT ANCHORS ON THIS PRODUCT APPROVAL DOCUMENTS, AS TESTED, WERE NOT OVERSTRESSED, A 33% INCREASE IN ALLOWABLE STRESS FOR WIND LOADS WAS NOT USED IN THEIR ANALYSIS, AND IN THE LABORATORY THE TEST LOAD WAS 50% MORE OF DESIGN LOAD.

THE "SURE GUARD PLUS 2009" IS ADEQUATE FOR IMPACT AND FATIGUE RESISTANCE AS SHOWN IN THE TEST RESULTS FROM LABORATORY. AND LAST BUT NOT LESS, THE "SURE GUARD PLUS 2009" MAY BE INSTALLED AT HIGH VELOCITY HURRICANE ZONES (H.V.H.Z.)"

- 2. ALL COMPONENTS SHALL BE AS PER BILL OF MATERIALS AS SHOWN ON SHEET 3 OF 8.
- 3. FOR ANCHORS INSTALLATION AND SPACING DETAILS REFER TO SHEETS 6 THROUGH 8 OF 8.
- 4. MAX DESIGN PRESSURE:
 - A. FOR BARRIER FRAME SIZE OF 64" X 98" = +119 psf, -138 psf (ALLOWABLE)
 - B. FOR BARRIER FRAME SIZE OF 64" X 124" = +84 psf, -94 psf (ALLOWABLE)

5. SELF DRILLING SCREWS SHALL BE ASTM A510-03, ZINC PLATED AS PER ASTM B-633 WITH MIN. TENSILE STRENGTH OF 100 KSI.

6. PRODUCT ANCHORS SHALL BE AS LISTED AND SPACED AS SHOWN ON DETAILS ON SHEETS 3, 6, 7 & 8. ANCHOR EMBEDMENT AND EDGE DISTANCE TO BASE MATERIAL SHALL BE BEYOND WALL DRESSING OR STUCCO.

7. A LABEL SHALL BE PLACED FOR EVERY OPENING BY THE SCREEN SHUTTER MANUFACTURER AND SHALL BE EXPOSED ON THE SURFACE OF THE FRAME LABEL SHALL READ:

**PHOENIX
ARCHITECTURAL PRODUCT, INC.
3075 JONQUIL DRIVE SE, SMYRNA, GA 30080
MIAMI-DADE COUNTY PRODUCT CONTROL APPROVED**

8. CONTRACTOR SHALL VERIFY THE EXISTING CONDITIONS OF THE OPENINGS WHERE SCREEN SHUTTER WILL BE INSTALLED TO INSURE ADEQUATE SUBSTRATE.

9. THE INSTALLATION OF THIS "SURE GUARD 2009" HIGH VELOCITY SHUTTER SYSTEM SHALL COMPLY WITH THE SPECIFICATIONS INDICATED IN THIS DRAWINGS PLUS ANY BUILDING AND ZONING REGULATIONS PROVIDED BY THE JURISDICTION WHERE PERMIT IS APPLIED TO.

- 10. THIS PRODUCT APPROVAL DOCUMENTS WILL BE VALID ONLY WHEN IT MEETS THE FOLLOWING TERMS:
 - A. PLANS SHALL BE SIGNED AND SEALED BY THE ENGINEER OF RECORD.
 - B. NO MODIFICATIONS AND/OR ALTERATIONS MAY BE MADE BY ANY MEANS.

11. THIS PRODUCT APPROVAL DOCUMENTS WAS NOT PREPARED FOR A SPECIFIC SITE.

12. SCREEN SHUTTER DETAILS:

A. FRAME SHALL BE EXTRUDED ALUMINUM, CORNERS ARE MITERED BULTED AND WELDED INCLUDING MID HEIGHT RAIL CONNECTION TO JAMBS WELDING AS PER AMERICAN WELDING SOCIETY D1.2 LATEST EDITION.

B. EACH PANEL IS MADE UP OF EXTRUDED ALUMINUM 6063-T6. FRAME MITERED AND ADDITIONALLY JOINED AT THE CORNERS WITH ALUMINUM PLATE (COMPONENT 17) AS SHOWN ON SHEET 2 OF 8.

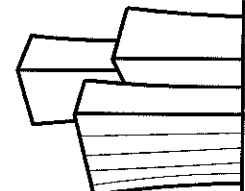
C. SCREEN SHALL BE 14 GA. (0.075" THICKNESS) FOR BARRIERS FRAME SIZE UP TO 64"x98" OR 12 GA. (.104" THICKNESS) FOR BARRIERS FRAME SIZE BIGGER THAT 64"x98" GALVANIZE STEEL ASTM 653, WITH MIN. YIELD STRENGTH OF 30.900 PSI. WITH A COATING DESIGNATION A60 UNTREATED. THE PERFORATED SCREEN HAS CLEAR HOLES (0.1875"Ø) SPACED AT 0.25" CENTER TO CENTER STAGGERED. IN ONE INCH SQUARE ARE 16 HOLES WHICH MEANS 44% OF SCREEN IS POUROUS.

D. FOR FASTENING OF SCREEN REFER TO NOTE 1 OF SHEET 3, MINIMUM EDGE DISTANCE PER FASTENING SCREW/EDGE OF SCREEN IS 1/2" FROM CENTER OF HOLES.

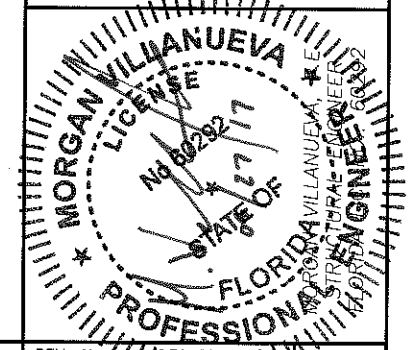
E. THE OPERABLE PANELS ARE SECURED WITH A CONTINUOUS CIE-8 (COMPONENT 11) PLUS A SURFACE BOLT AND STRIKE PLATE (COMPONENT 20) AS SHOWN ON SHEET 5 OF 8.

PHOENIX
ARCHITECTURAL PRODUCTS, INC.
SECURITY BARRIERS, ALUMINUM WINDOWS & DOORS
3075 JONQUIL Drive, S.E., Smyrna, GA 30080
TEL 770.803.6380 FAX 770.803.6388
www.phoenixwindows.com

SURE GUARD 2009
WINDOW SECURITY BARRIER SYSTEM



V.M. Engineering, Inc.
C. of A. No. 27633
11278 S.W. 153rd Place
MIAMI, FLORIDA 33196
TEL: 786-281-6968
TEL: 305-383-5896

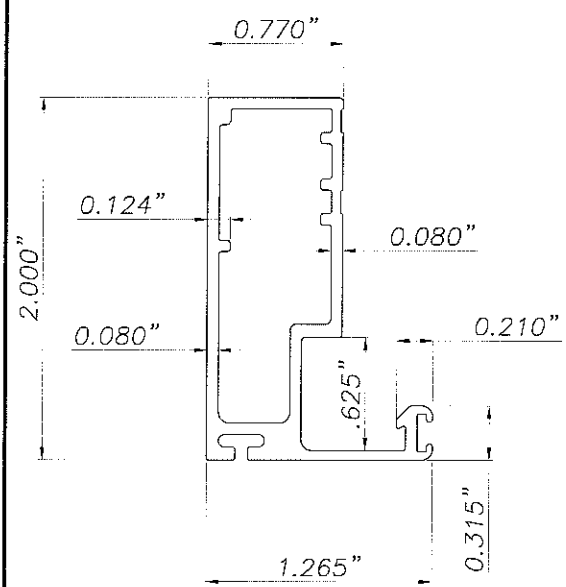


PRODUCT REVISED
as complying with the Florida
Building Code
Acceptance No 17-1005.09
Expiration Date 06/23/2020
By *Heidi A. M...*
Miami Dade Product Control

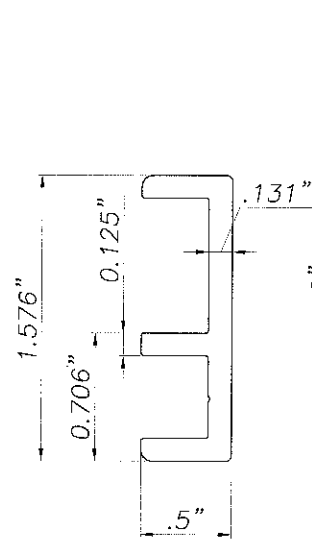
REV. No	DESCRIPTION	DATE
1	RENEWAL AS PER FBC 2017	9-26-17
2		
3		
4		

SCALE: AS SHOWN
DATE: 09-26-2017
F.B.C.
(High Velocity Hurricane Zone)
DWG No: **SG09-12**
SHEET 1 OF 8

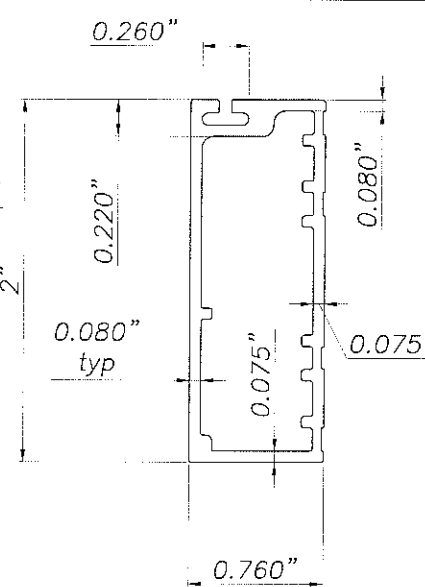
MIAMI-DADE COUNTY



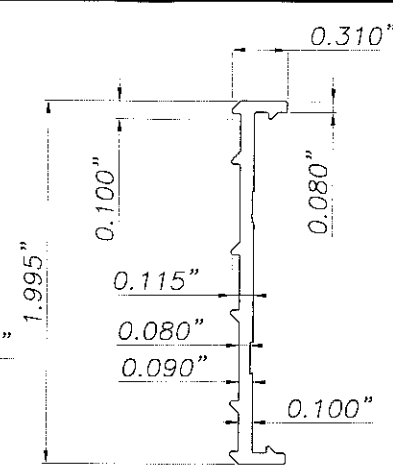
② CIE-3



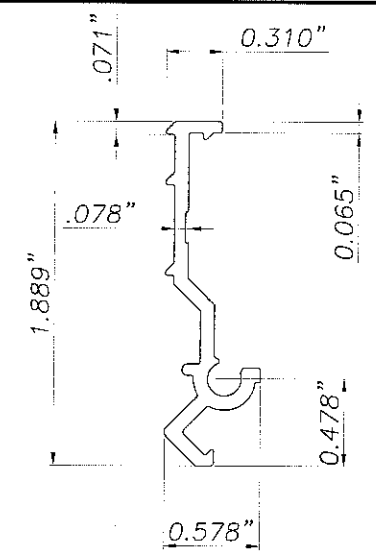
⑱ CIE-13



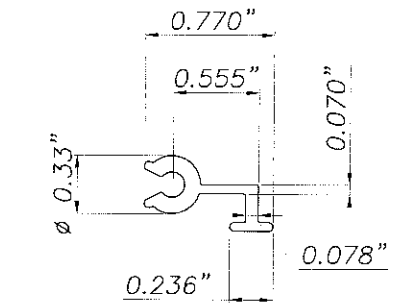
⑦ CIE-6



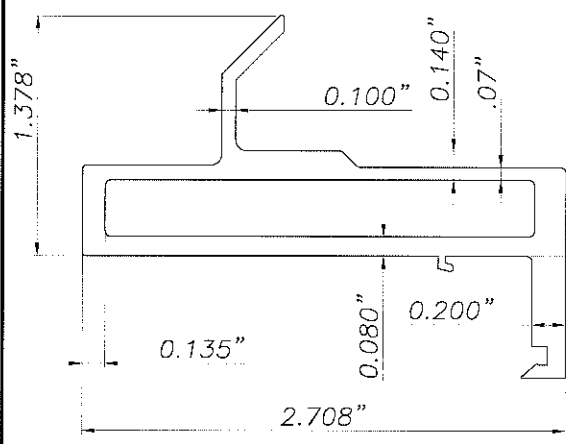
⑯ CIE-7



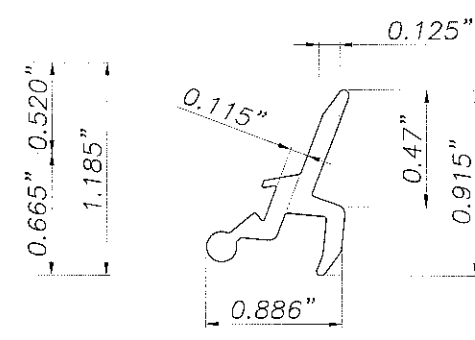
④ CIE-4



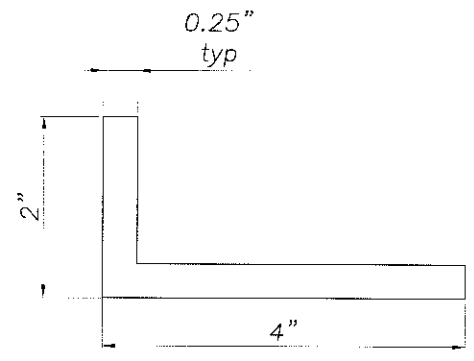
⑮ CIE-1



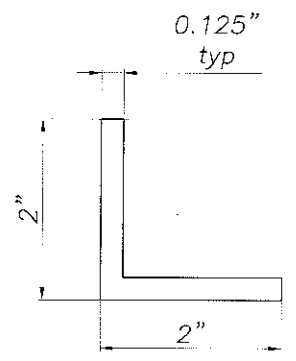
⑥ CIE-12



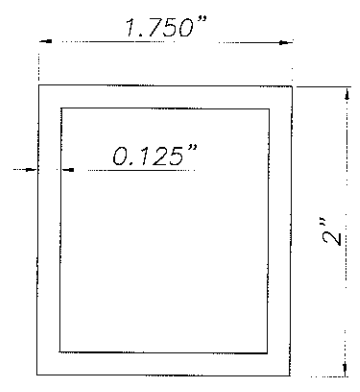
⑪ CIE-8



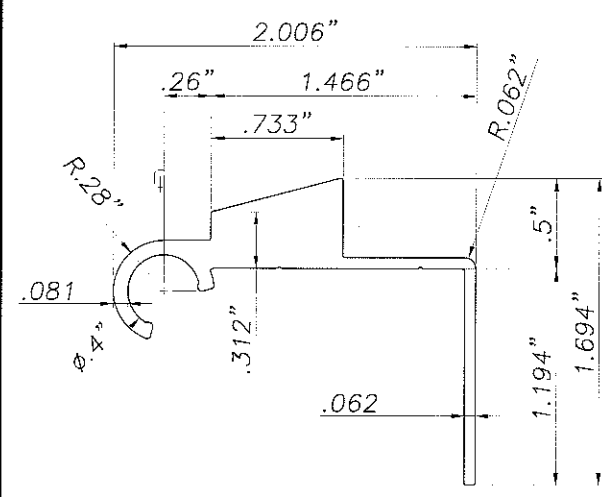
⑫ "L BAR"



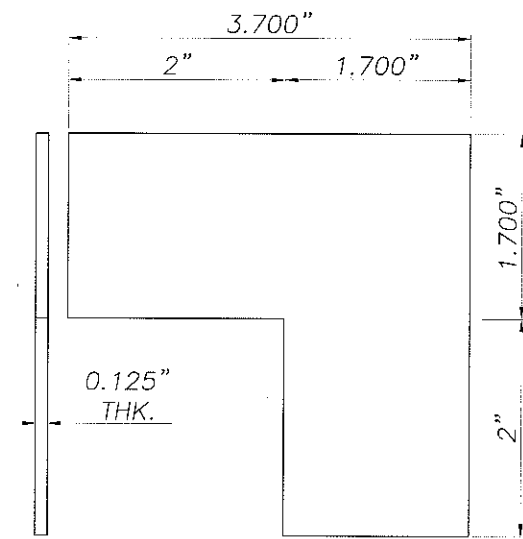
⑬ "L BAR"



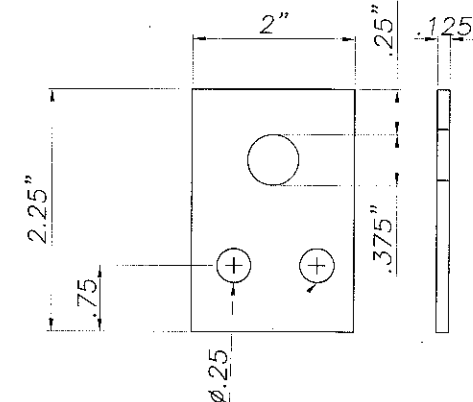
⑧ EXT. ALUM. TUBE



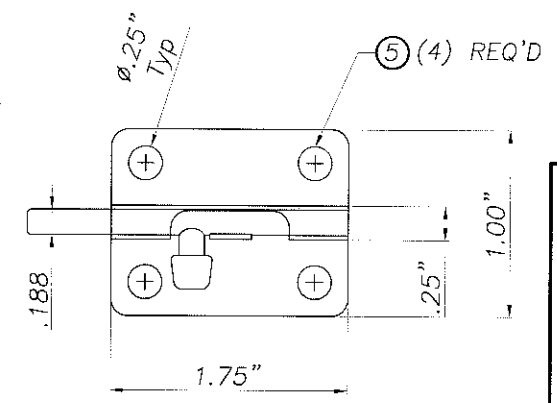
⑩ CIE-5



⑰ SP-7

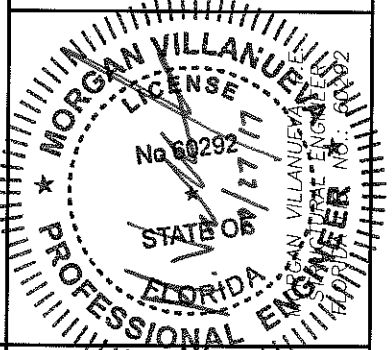


⑳ SURFACE BOLT & STEEL STRIKE PLATE



PRODUCT REVISED
as complying with the Florida
Building Code
Acceptance No. 17-1005.09
Expiration Date 06/23/2020
By *Heidi A. Villanueva*
Miami-Dade Sunset Control

MIAMI-DADE COUNTY



REV. No.	DESCRIPTION	DATE
1	RENEWAL AS PER FBC 2017	9-26-17
2		
3		
4		

SCALE: AS SHOWN
DATE: 09-26-2017
F.B.C.
(High Velocity Hurricane Zone)
DWG No: SG09-12
SHEET 2 OF 8

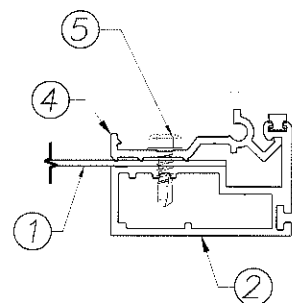
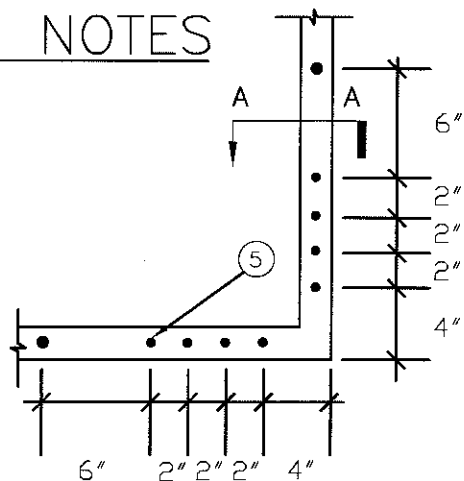
V.M.
Engineering, Inc.
C. of A. No. 27633
11278 S.W. 153rd Place
MIAMI, FLORIDA 33196
TEL: 786-281-6968
TEL: 305-383-5896

PHOENIX
ARCHITECTURAL PRODUCTS, INC.
SECURITY BARRIERS, ALUMINUM WINDOWS & DOORS
3075 JONQUIL Drive, S.E., Smyrna, GA 30080
TEL 770.803.6380 FAX 770.803.6388
www.phoenixwindows.com

PRODUCT:
SURE GUARD 2009
WINDOW SECURITY BARRIER SYSTEM

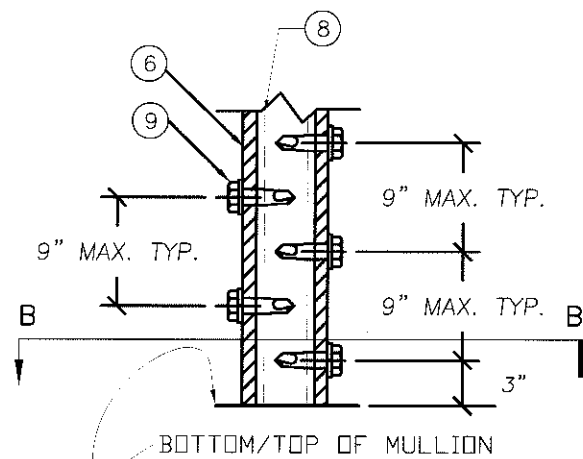
METAL TO METAL SCREWS NOTES

NOTE 1:
FOUR SCREWS IN EACH CORNER LEG
4" FROM EA. END AND (3) SPACED
2" O.C., THEN CONTINUOUS 6" O.C..

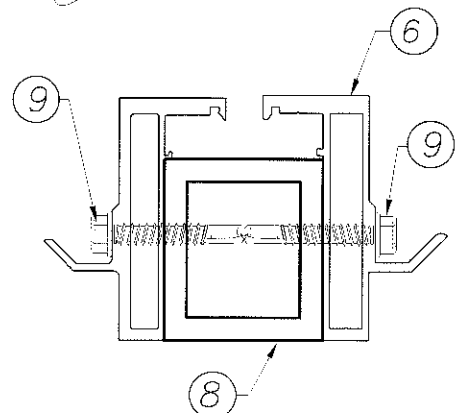


SECTION A-A

NOTE 3:
SCREWS 9" O.C. STAGGERED.
SPACED 3" MAX. FROM TOP & BOTTOM.



BOTTOM/TOP OF MULLION



SECTION B-B

BILL OF MATERIALS

ITEM	DESCRIPTION	MATERIAL MANUFACTURER
①	Galvanized Perforated Steel Plate 64"x98" Max. Galvanized Perforated Steel Plate 64"x124" Max.	14 GA 12 GA
②	Sash Frame CIE-3	Alum. 6063-T6
③	Weather-strip (Hope Webbing)	Wool Pyle
④	Securing Flange CIE-4	Alum. 6063-T6
⑤	#10x3/4" S.D.S. Hex Head Screw	ASTM A-510
⑥	Frame Jamb CIE-12	Alum. 6063-T6
⑦	Horizontal Sash Support CIE-6	Alum. 6063-T6
⑧	1 3/4"x2"x1/8" Aluminum Mullion	Alum. 6063-T6
⑨	#14x1 1/2" Self Drinling Screw	ASTM A-510
⑩	Hinge Flange CIE-5	Alum. 6063-T6
⑪	Latch Mechanism CIE-8	Alum. 6063-T6
⑫	4"x2"x1/4" Alum. Angle	Alum. 6063-T6
⑬	2"x2"x1/8" Alum. Angle	Alum. 6063-T6
⑭	1/4" ϕ Tapcon Anchor (min 1 1/4" embed. to block & 1 3/4" to concrete)	ITW BUILDEX
⑮	HINGE CIE-1	Alum. 6063-T6
⑯	HORIZONTAL SASH RETAINER CIE-7	Alum. 6063-T6
⑰	CORNER SUPPORT SP-7	Alum. 3003-H14
⑱	SASH SUPPORT CIE-13	Alum. 6063-T6
⑲	#10x1" S.D.S. Hex Head Screw	ASTM A-510
⑳	SURFACE BOLT & STEEL PLATE	BRAINERD MFG. CO. MODEL # B5210

PHOENIX
ARCHITECTURAL PRODUCTS, INC.
SECURITY BARRIERS, ALUMINUM WINDOWS & DOORS
3075 JONQUIL Drive, S.E., Smyrna, GA 30080
TEL 770.803.6380 FAX 770.803.6388
www.phoenixwindows.com

PRODUCT:
SURE GUARD 2009
WINDOW SECURITY BARRIER SYSTEM

V.M. Engineering, Inc.
C. of A. No. 27633
11278 S.W. 153rd Place
MIAMI, FLORIDA 33196
TEL: 786-281-6968
TEL: 305-383-5896

MORGAN WILLANUEVA
LICENSE
No. 80992
STATE OF FLORIDA
PROFESSIONAL ENGINEER
MORGAN WILLANUEVA, INC. NG 00292

PRODUCT REVISED
as complying with the Florida:
Building Code
Acceptance No. 17-1005.09
Expiration Date 06/23/2020
By: *Heidi A. Decker*
Miami Design Product Control

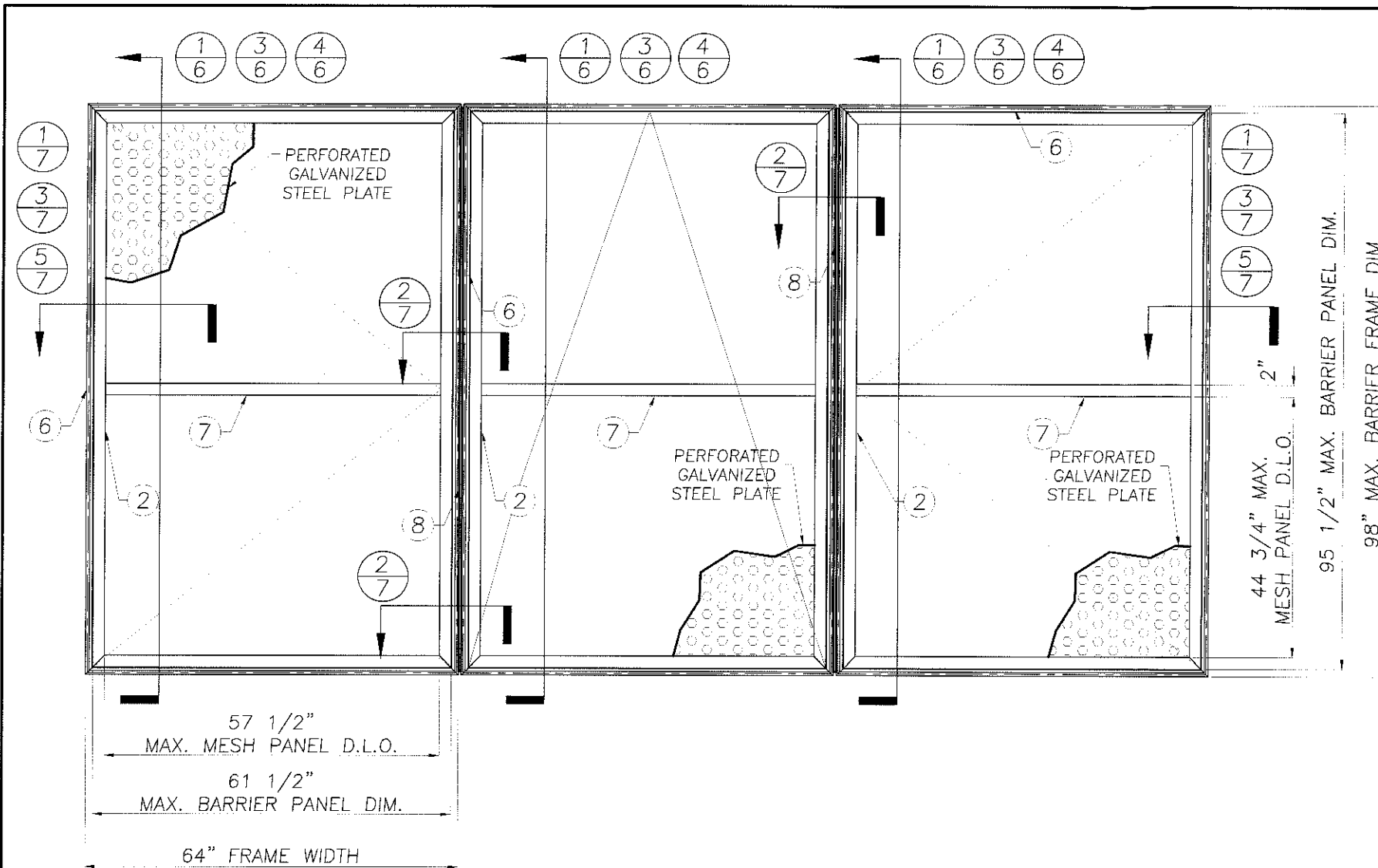
MIAMI-DADE COUNTY

REV.	DESCRIPTION	DATE
1	PRELIMINARY PER PBC (2017)	9-26-17
2		
3		
4		

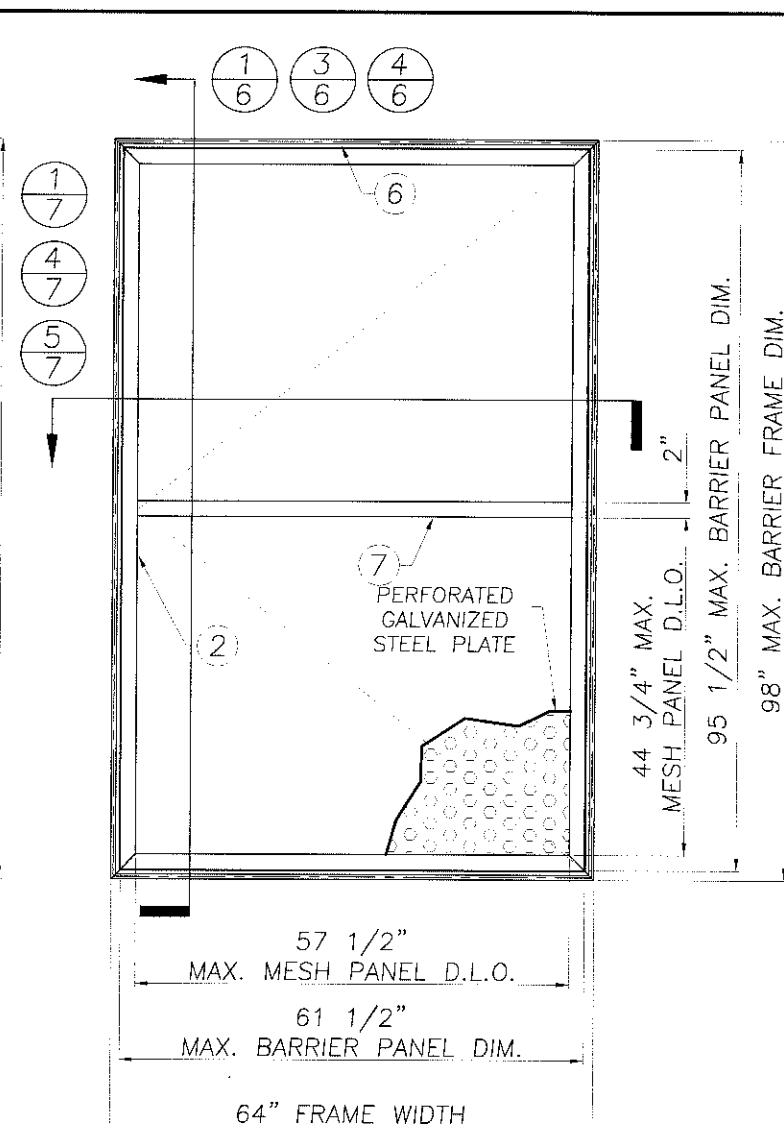
SCALE: AS SHOWN
DATE: 09-26-2017

F.B.C.
(High Velocity Hurricane Zone)

DWG No: **SG09-12**
SHEET 3 OF 8



MULTIPLE PANEL ELEVATION
(64"x98" MAX. BARRIER FRAME)



SINGLE PANEL ELEVATION
(64"x98" MAX. BARRIER FRAME)

DESIGN PRESSURE RATING: (ALLOWABLE)
POSITIVE 119 psf NEGATIVE 138 psf
TESTED AS PER TAS 201, 202, 203

14 GA. GALVANIZED STEEL PERFORATED PLATE

NOTE: BARRIER MAY BE USED AS SINGLE OR
UNLIMITED NUMBER OF HORIZONTAL OR VERTICAL
PANELS.

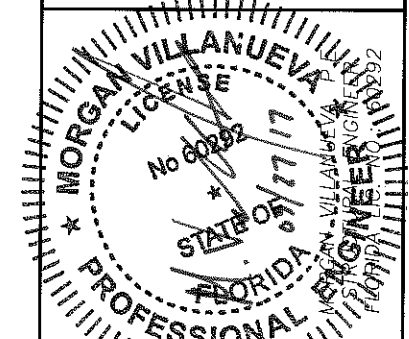
PRODUCT REVISED
as complying with the Florida
Building Code
Acceptance No. 17-1005.09
Expiration Date 06/30/2020
By *Heidi A. Miller*
Miami Dade Product Control

MIAMI-DADE COUNTY

PHOENIX
ARCHITECTURAL PRODUCTS, INC.
SECURITY BARRIERS, ALUMINUM WINDOWS & DOORS
3075 JONQUIL Drive, S.E., Smyrna, GA 30080
TEL 770.803.6380 FAX 770.803.6388
www.phoenixwindows.com

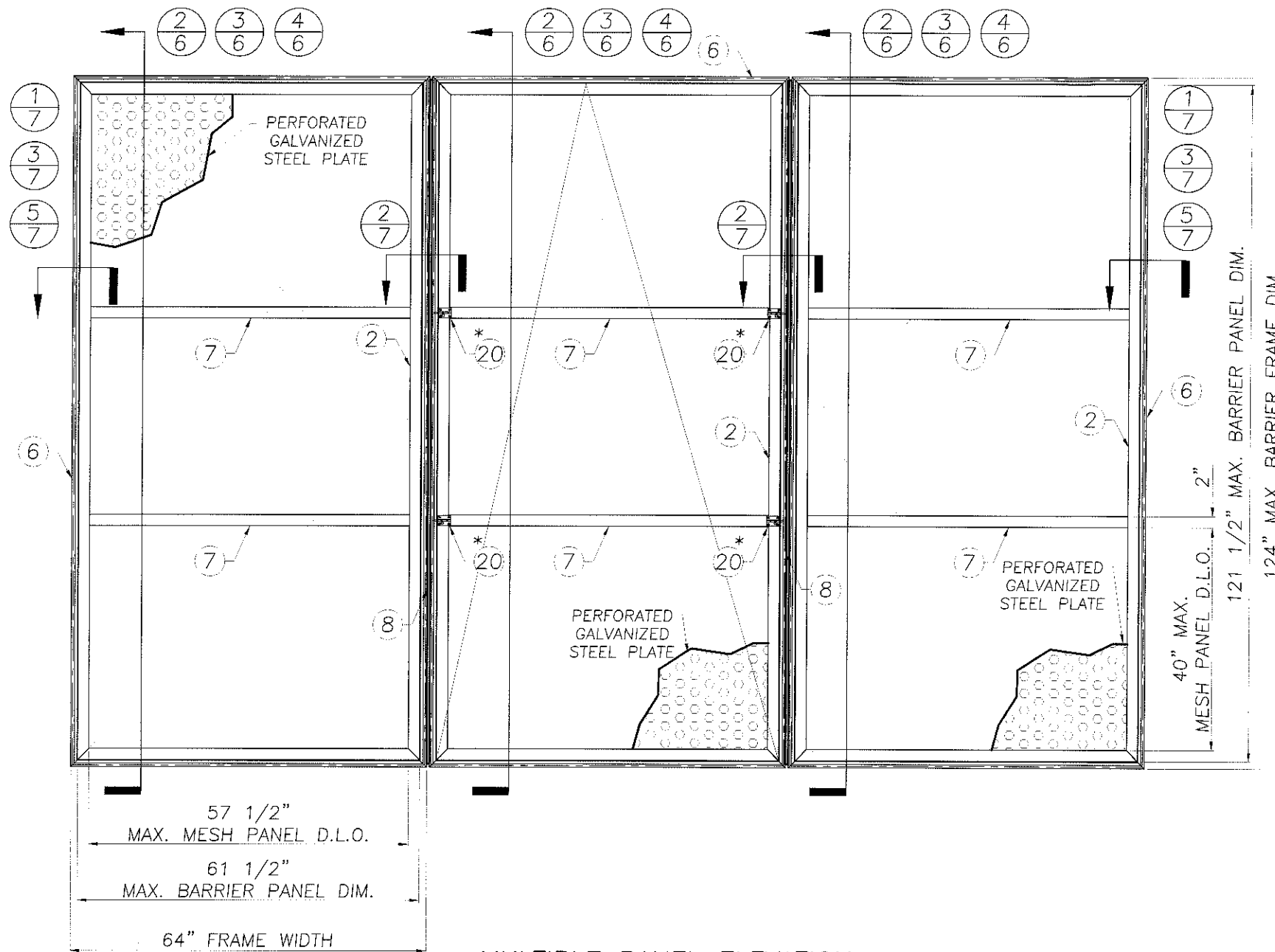
PRODUCT:
SURE GUARD 2009
WINDOW SECURITY BARRIER SYSTEM

V.M.
Engineering, Inc.
C. of A. No. 27633
11278 S.W. 153rd Place
MIAMI, FLORIDA 33196
TEL: 786-281-6968
TEL: 305-383-5896

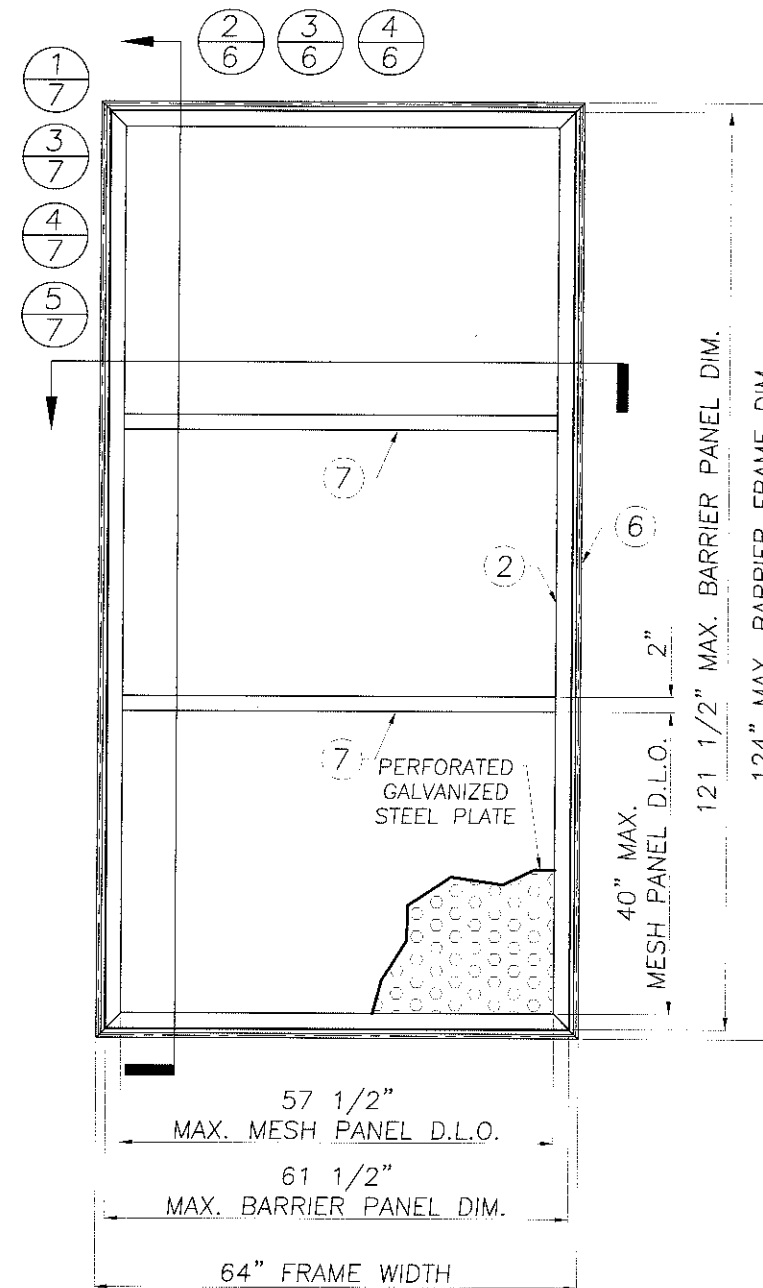


REV. No.	DESCRIPTION	DATE
1	RENEWAL AS PER FBC 2017	9-26-17
2		
3		
4		

SCALE: AS SHOWN
DATE: 09-26-2017
F.B.C.
(High Velocity Hurricane Zone)
DWG No: **SG09-12**
SHEET 4 OF 8



MULTIPLE PANEL ELEVATION
(64"x124" MAX. BARRIER FRAME)



SINGLE PANEL ELEVATION
(64"x124" MAX. BARRIER FRAME)

DESIGN PRESSURE RATING: (ALLOWABLE)
POSITIVE 84 psf NEGATIVE 94 psf
TESTED AS PER TAS 201, 202, 203

12 GA. GALVANIZED STEEL PERFORATED PLATE

NOTE: BARRIER MAY BE USED AS SINGLE OR UNLIMITED NUMBER OF HORIZONTAL OR VERTICAL PANELS.

* USE ONE PAIR OF SURFACE BOLT 20 AT TOP OR BOTTOM SASH AS SHOWN FOR TOP HINGE BARRIERS ONLY WITH MORE THAN 98" HEIGHT.

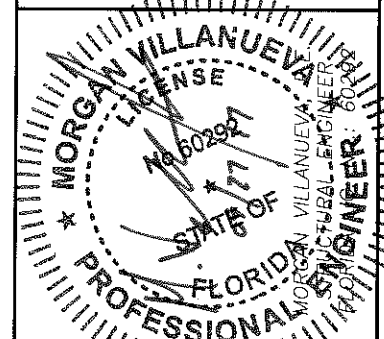
PRODUCT REVISED
as complying with the Florida
Building Code
Acceptance No. 17-1005.09
Expiration Date 06/23/2020
By *Hesha M. M...*
Miami Dade Product Control

MIAMI-DADE COUNTY

PHOENIX
ARCHITECTURAL PRODUCTS, INC.
SECURITY BARRIERS, ALUMINUM WINDOWS & DOORS
3075 JONQUIL Drive, S.E., Smyrna, GA 30080
TEL 770.803.6380 FAX 770.803.6388
www.phoenixwindows.com

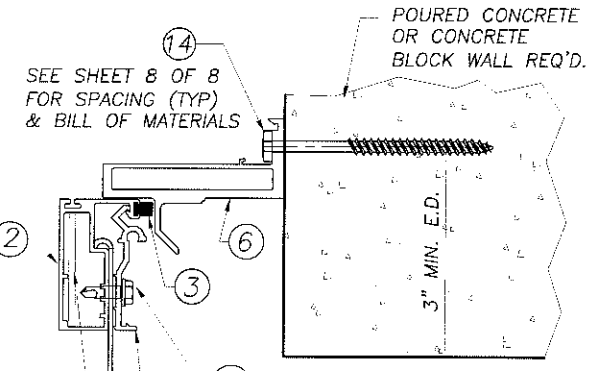
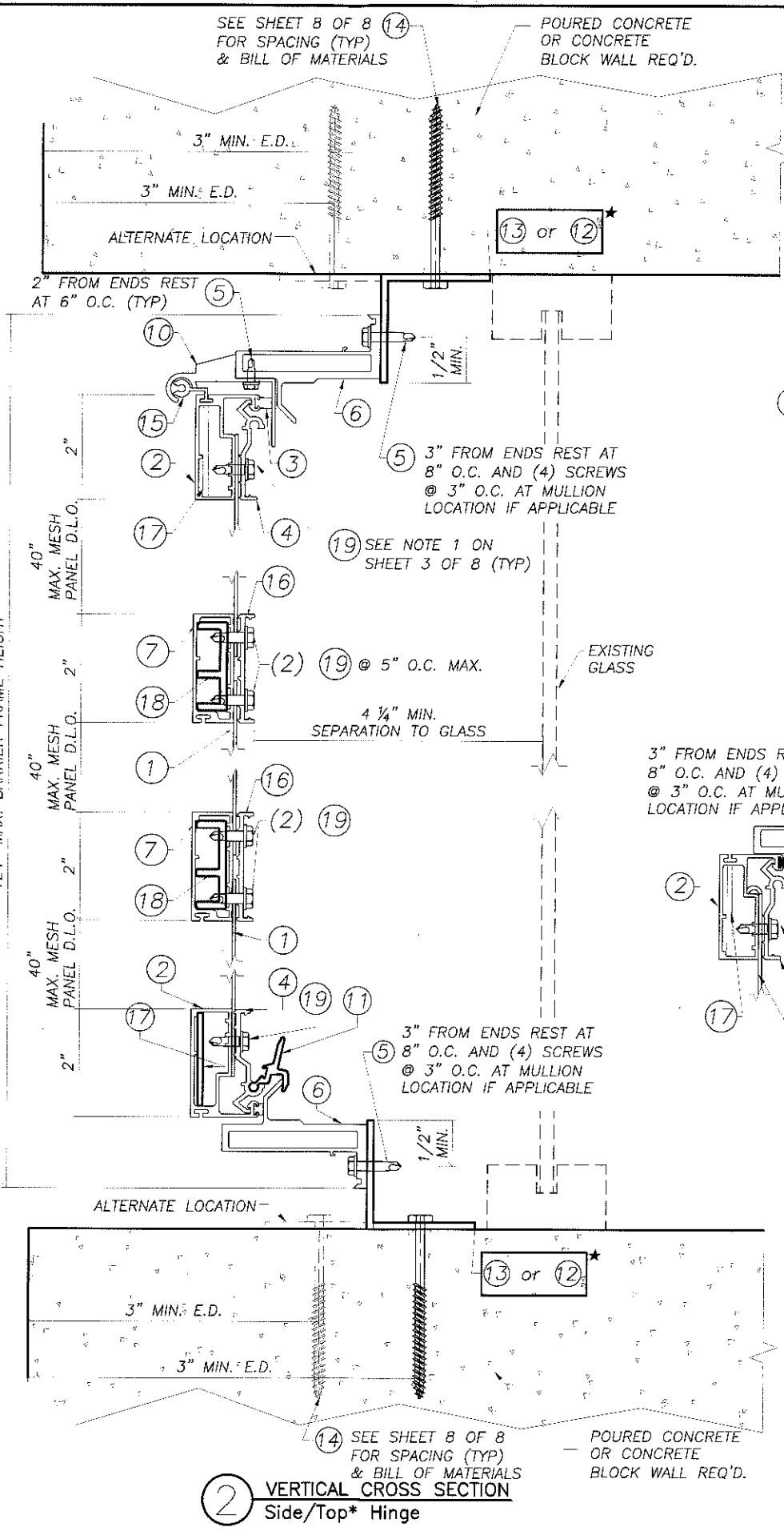
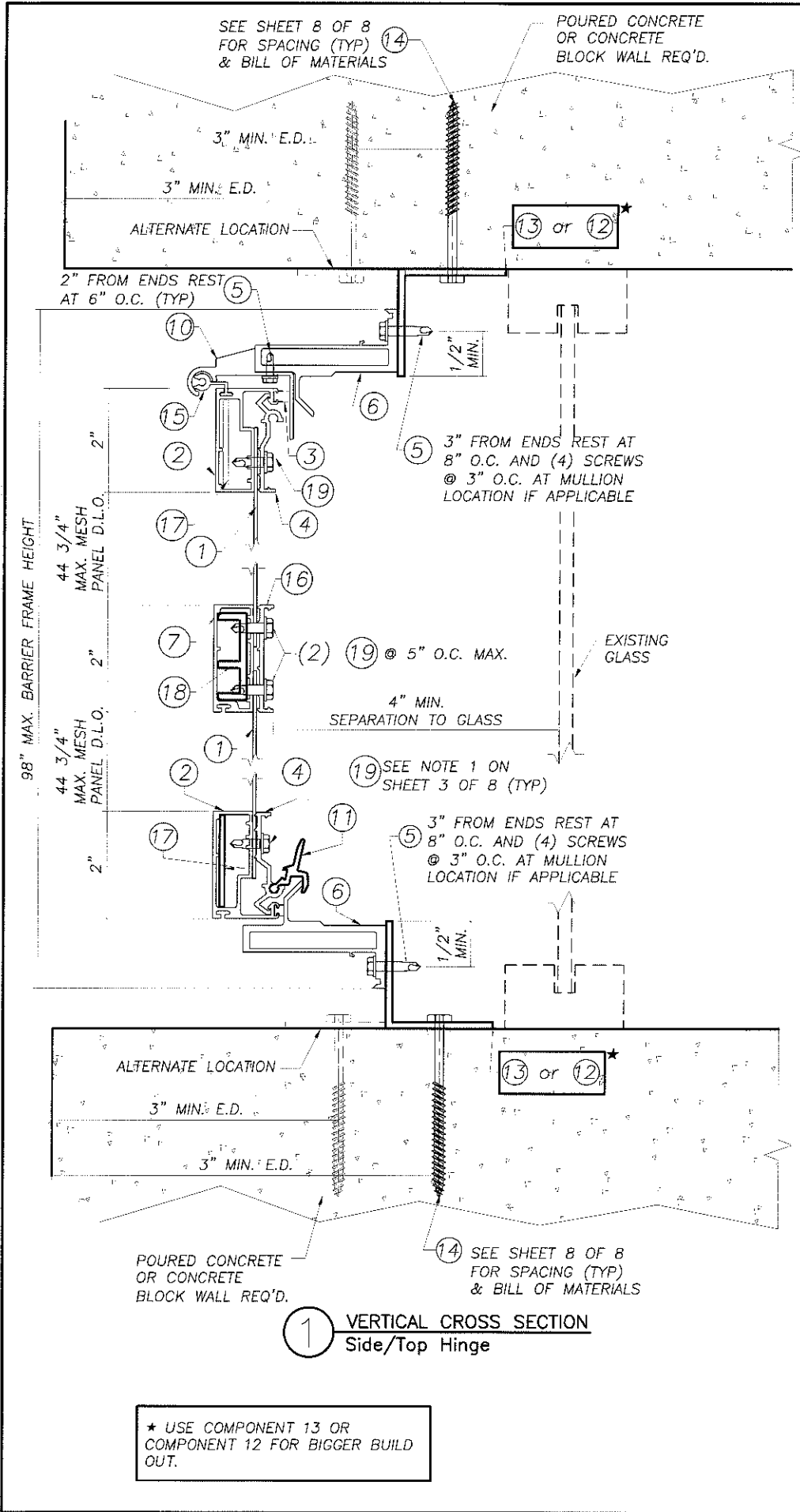
PRODUCT:
SURE GUARD 2009
WINDOW SECURITY BARRIER SYSTEM

V.M.
Engineering, Inc.
C. of A. No. 27633
11278 S.W. 153rd Place
MIAMI, FLORIDA 33196
TEL: 786-281-6968
TEL: 305-383-5896

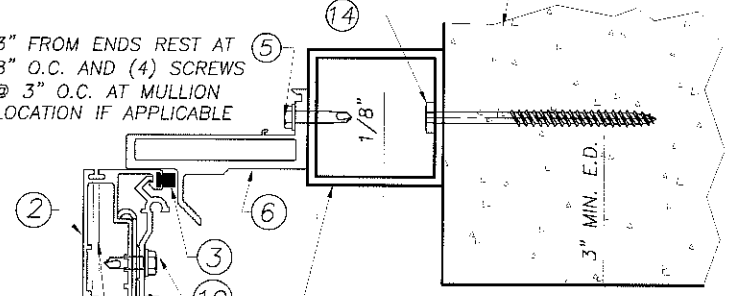


REV. No	DESCRIPTION	DATE
1	RENEWAL AS PER FBC 2017	9-26-17
2		
3		
4		

SCALE: AS SHOWN
DATE: 09-26-2017
F.B.C.
(High Velocity Hurricane Zone)
DWG No: **SG09-12**
SHEET 5 OF 8



3 VERTICAL CROSS SECTION
Optional Surface Mount Method
Side/Top Hinge



4 VERTICAL CROSS SECTION
Optional Buildout Mount Method
Side/Top Hinge

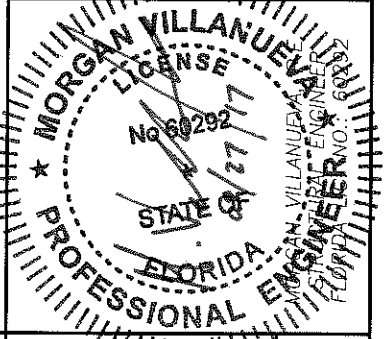
* USE COMPONENT 13 OR COMPONENT 12 FOR BIGGER BUILD OUT.

PRODUCT REVISED
as complying with the Florida
Building Code
Acceptance No 17-1005.09
Expiration Date 06/23/2020
By *Heidi A. Miller*
Miami Dade Product Control

PHOENIX
ARCHITECTURAL PRODUCTS, INC.
SECURITY BARRIERS, ALUMINUM WINDOWS & DOORS
3075 JONQUIL Drive, S.E., Smyrna, GA 30080
TEL 770.803.6380 FAX 770.803.6388
www.phoenixwindows.com

PRODUCT:
SURE GUARD 2009
WINDOW SECURITY BARRIER SYSTEM

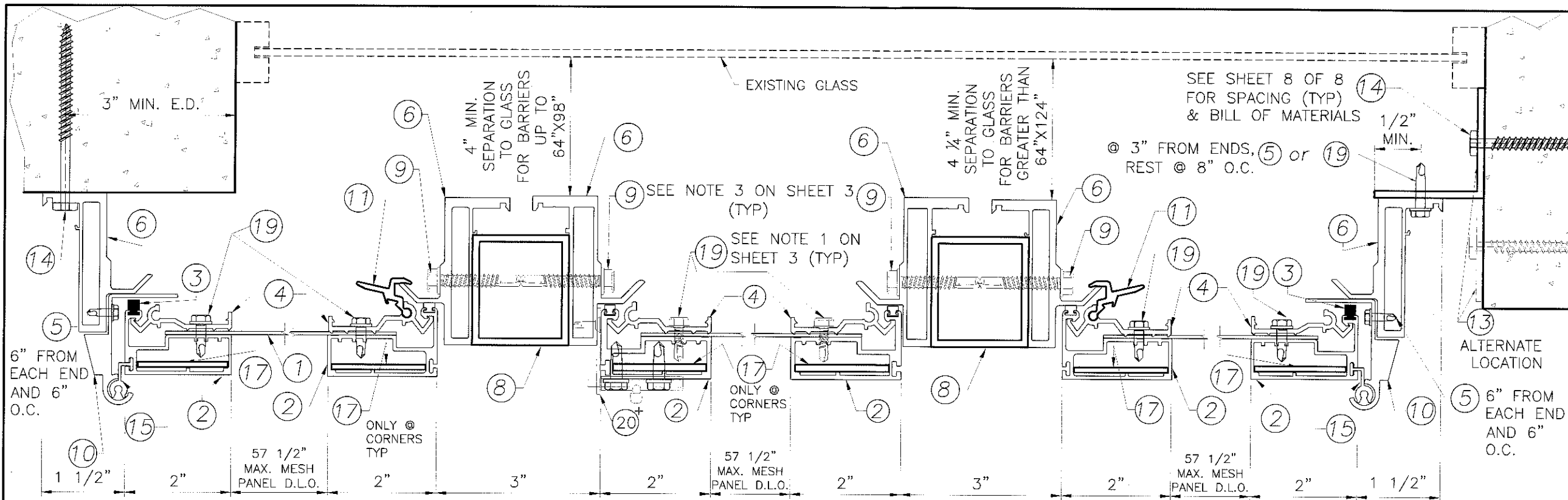
V.M. Engineering, Inc.
C. of A. No. 27633
11278 S.W. 153rd Place
MIAMI, FLORIDA 33196
TEL: 786-281-6968
TEL: 305-383-5896



REV. No	DESCRIPTION	DATE
1	RENEWAL AS PER FBC 2017	9-26-17
2		
3		
4		

SCALE: AS SHOWN
DATE: 09-26-2017
F.B.C.
(High Velocity Hurricane Zone)
DWG No: **SG09-12**
SHEET 6 OF 8

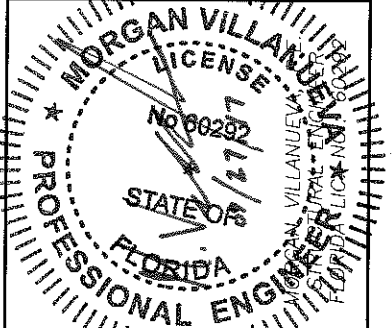
MIAMI-DADE COUNTY



PHOENIX
ARCHITECTURAL PRODUCTS, INC.
 SECURITY BARRIERS, ALUMINUM WINDOWS & DOORS
 3075 JONQUIL Drive, S.E., Smyrna, GA 30080
 TEL 770.803.6380 FAX 770.803.6388
 www.phoenixwindows.com

PRODUCT:
SURE GUARD 2009
 WINDOW SECURITY BARRIER SYSTEM

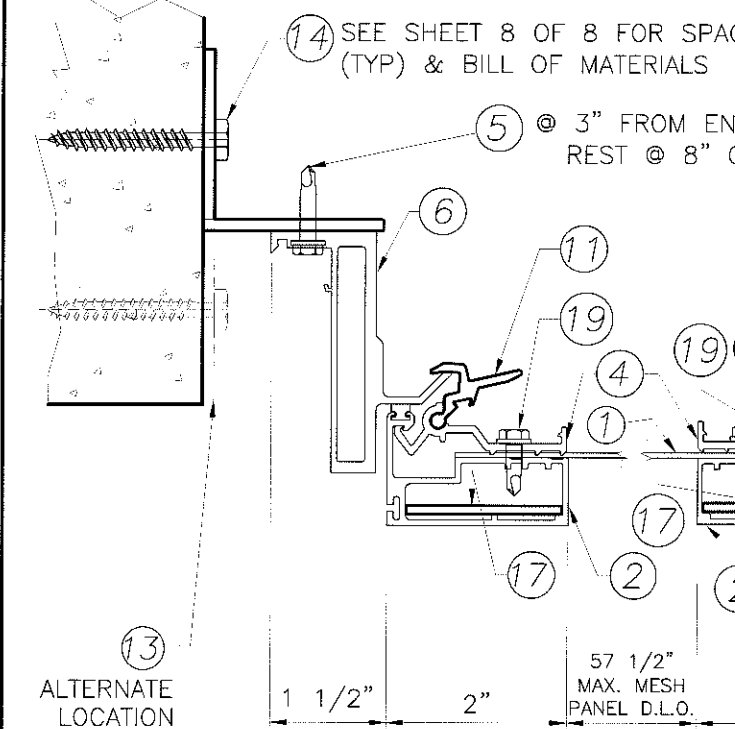
V.M. Engineering, Inc.
 C. of A. No. 27633
 11278 S.W. 153rd Place
 MIAMI, FLORIDA 33196
 TEL: 786-281-6968
 TEL: 305-383-5896



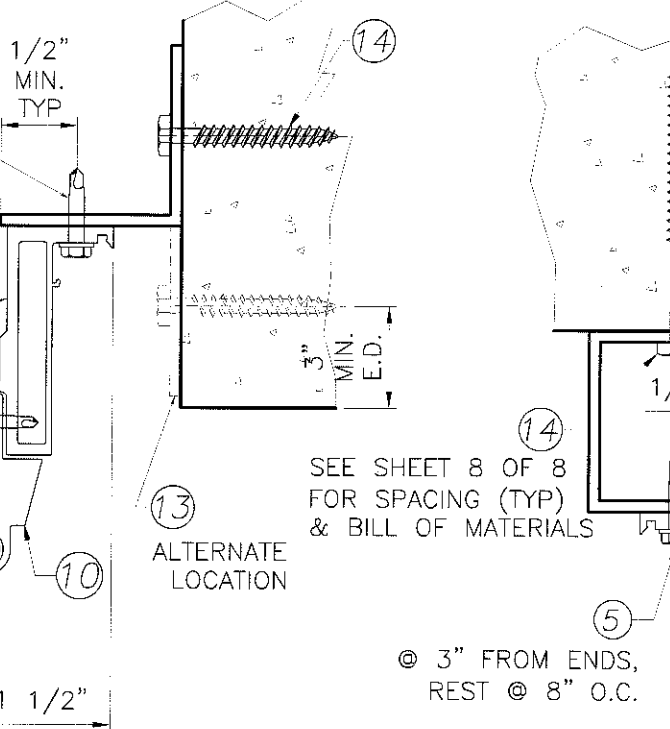
REV. No	DESCRIPTION	DATE
1	RENEWAL AS PER FBC 2017	9-26-17
2		
3		
4		

SCALE: AS SHOWN
 DATE: 09-26-2017
F.B.C.
 (High Velocity Hurricane Zone)
 DWG No: **SG09-12**
 SHEET 7 OF 8

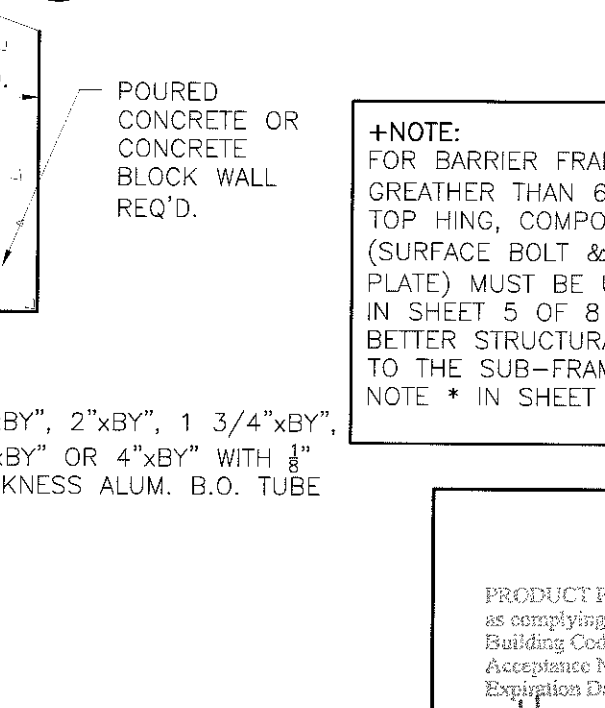
1 HORIZONTAL CROSS SECTION
 MULTIPLE/SINGLE PANELS
 Side Hinge - Wall Mounted



2 HORIZONTAL CROSS SECTION
 MULTIPLE/SINGLE PANELS
 Top Hinge - Intermediate Barrier



3 HORIZONTAL CROSS SECTION
 MULTIPLE/SINGLE PANELS
 Side Hinge - Trapped Barrier



+NOTE:
 FOR BARRIER FRAME EQUAL OR GREATER THAN 64"x98" WITH TOP HINGE, COMPONENT 20 (SURFACE BOLT & STEEL STRIKE PLATE) MUST BE USE AS SHOWN IN SHEET 5 OF 8 TO PROVIDE BETTER STRUCTURAL STABILITY TO THE SUB-FRAME. ALSO SEE NOTE * IN SHEET 5 OF 8

4 HORIZONTAL CROSS SECTION
 SINGLE PANEL
 Side/Top Hinge - Trapped Barrier

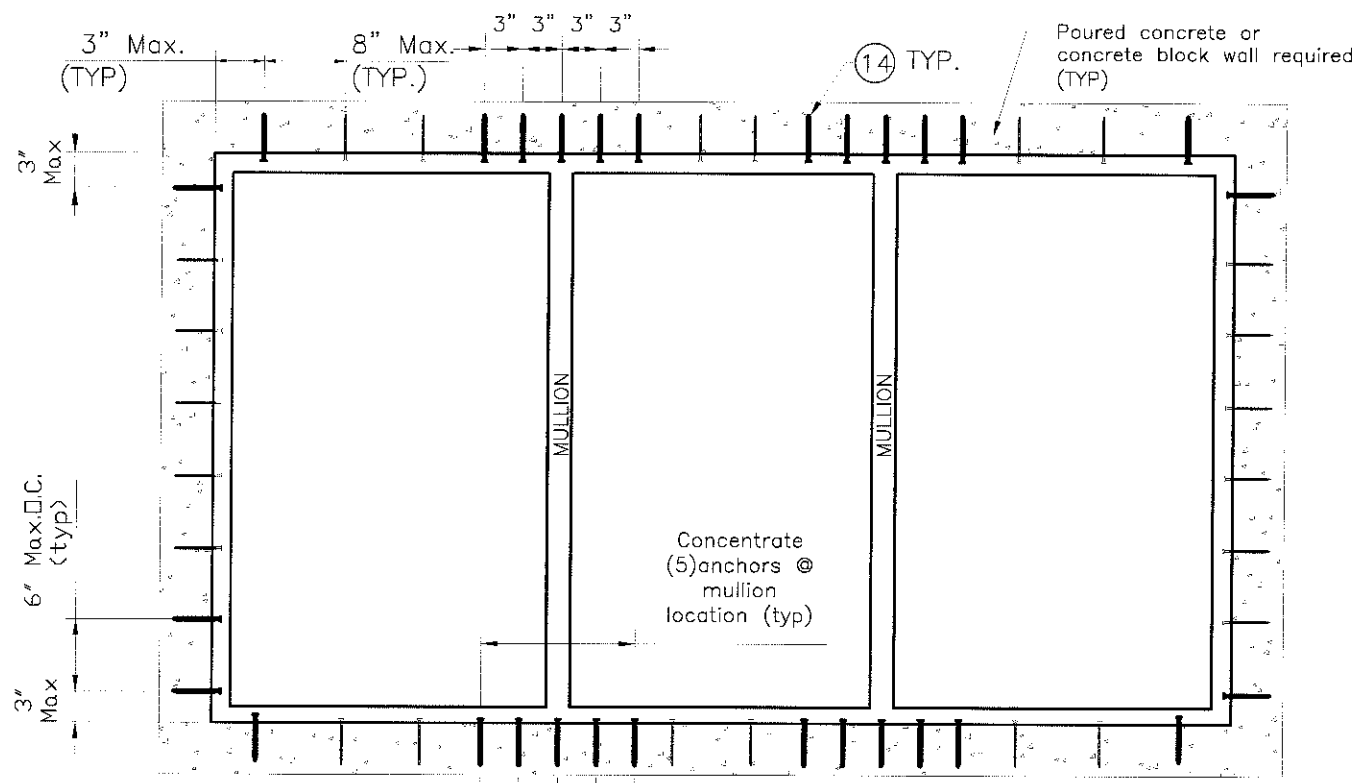


5 HORIZONTAL CROSS SECTION
 Optional Buildout Mount Method
 Side/Top Hinge



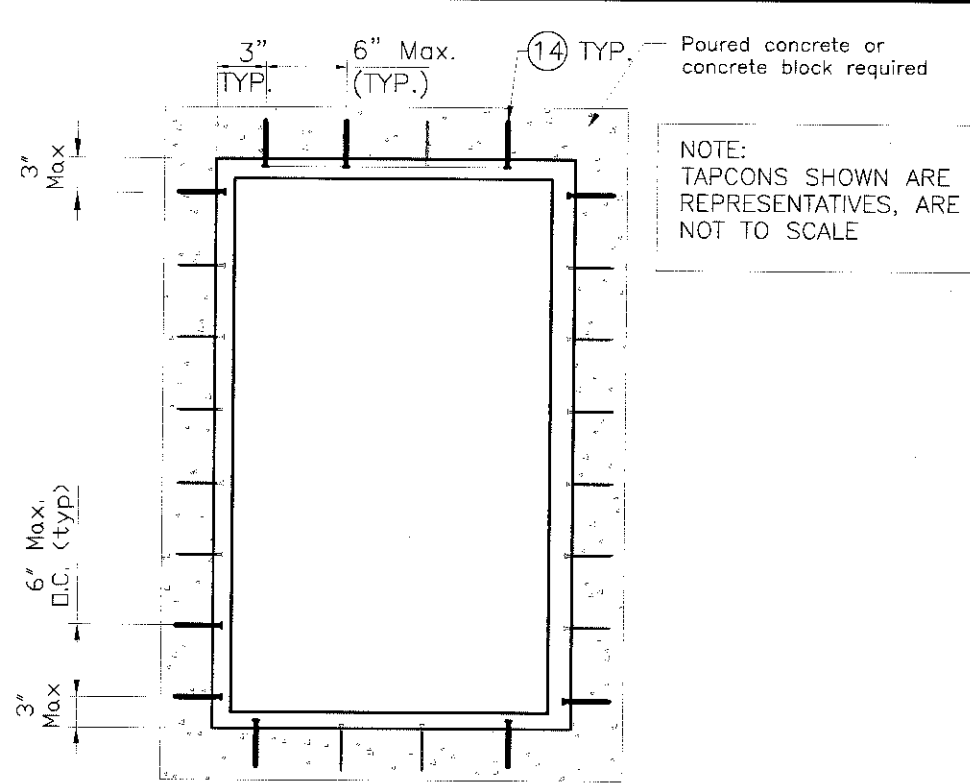
PRODUCT REVISED
 as complying with the Florida Building Code
 Acceptance No. 17-1005.09
 Expiration Date 06/23/2020
 By: *Heidi Miller*
 Miami Dade Product Control

MIAMI-DADE COUNTY



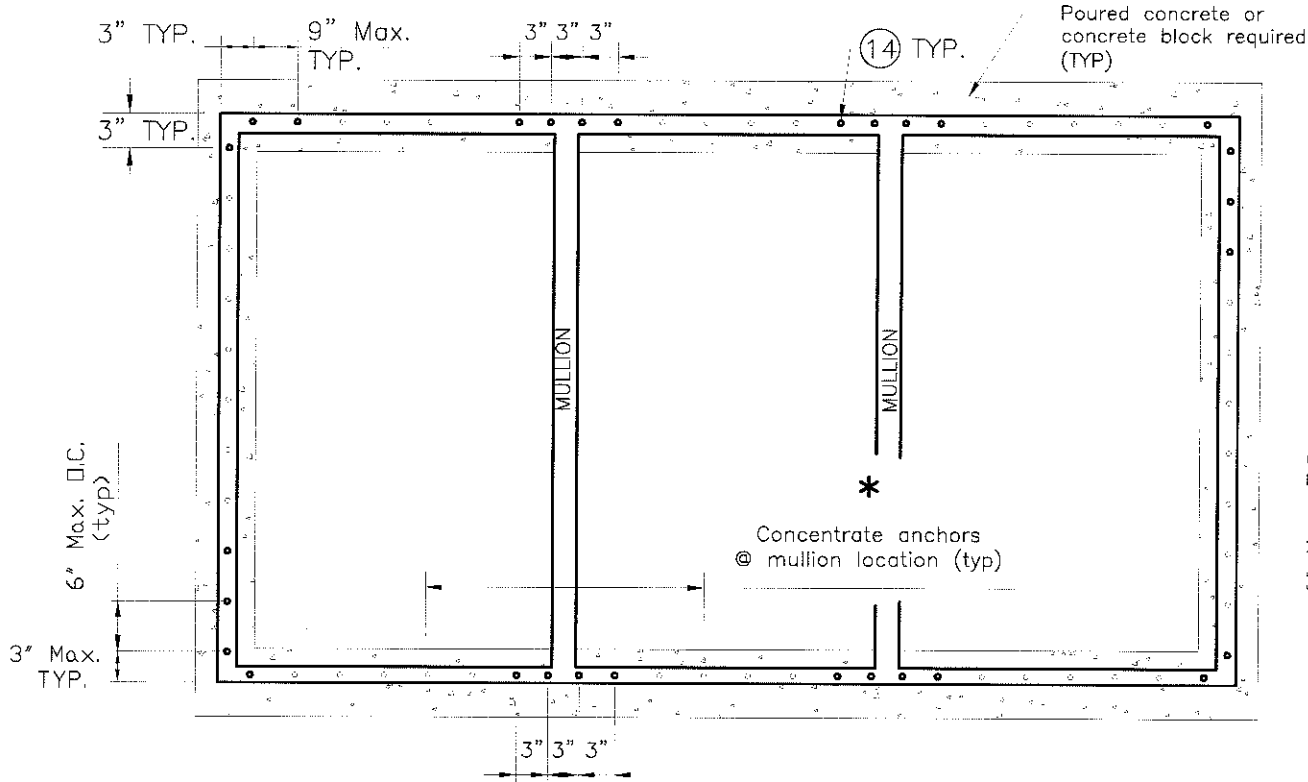
MULTIPLE PANELS (UNLIMITED)

ANCHORAGE FOR INSIDE MOUNTINGS



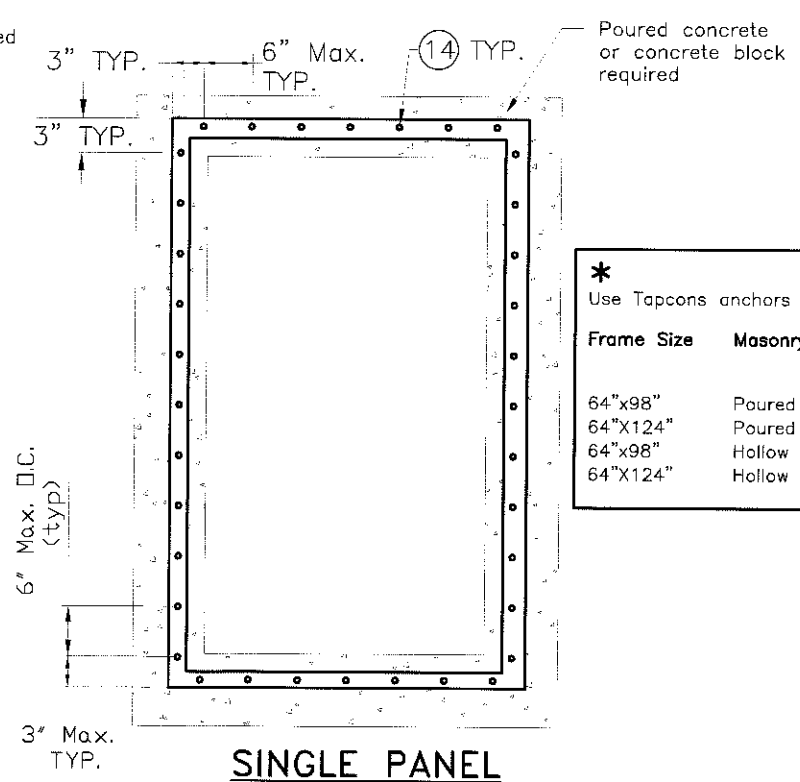
SINGLE PANEL

NOTE:
TAPCONS SHOWN ARE
REPRESENTATIVES, ARE
NOT TO SCALE



MULTIPLE PANELS (UNLIMITED)

ANCHORAGE FOR SURFACE MOUNTINGS



SINGLE PANEL

Use Tapcons anchors as follow:

Frame Size	Masonry Type	Numbers of Anchors at Mullion location, at each Top & Bottom.
64"x98"	Poured Concrete f'c=3ksi	4 W/ 1 1/2" Min. Embedment
64"x124"	Poured Concrete f'c=3Ksi	4 W/ 1 1/2" Min. Embedment
64"x98"	Hollow Concrete Block	4 W/ 1 1/2" Min. Embedment
64"x124"	Hollow Concrete Block	6 W/ 1 1/2" Min. Embedment

PRODUCT REVISED
to comply with the Florida
Building Code
Acceptance No 17-1005.09
Expiration Date 06/23/2020
By *Hesha A. Alvarado*
Miami Dade Product Control

MIAMI-DADE COUNTY

PHOENIX
ARCHITECTURAL PRODUCTS, INC.
SECURITY BARRIERS, ALUMINUM WINDOWS & DOORS
3075 JONQUIL Drive, S.E., Smyrna, GA 30080
TEL 770.803.6380 FAX 770.803.6388
www.phoenixwindows.com

PRODUCT:
SURE GUARD 2009
WINDOW SECURITY BARRIER SYSTEM

V.M. Engineering, Inc.
C. of A. No. 27633
11278 S.W. 153rd Place
MIAMI, FLORIDA 33196
TEL: 786-281-6968
TEL: 305-383-5896

MORGAN VILLANUEVA
LICENSED PROFESSIONAL ENGINEER
No. 002927
STATE OF FLORIDA
PROFESSIONAL ENGINEER

REV. No	DESCRIPTION	DATE
1	RENEWAL AS PER FBC 2017	9-26-17
2		
3		
4		

SCALE: AS SHOWN
DATE: 09-26-2017
F.B.C.
(High Velocity Hurricane Zone)
DWG No: **SG09-12**
SHEET 8 OF 8