

# Lang ACDR U.S. Patent #3 (223 Claims)

U.S. Patent

Jun. 7, 2005

Sheet 2 of 12

US 6,901,873 B1

## Low Drag Hydrodynamic Surfaces

FIG. 4

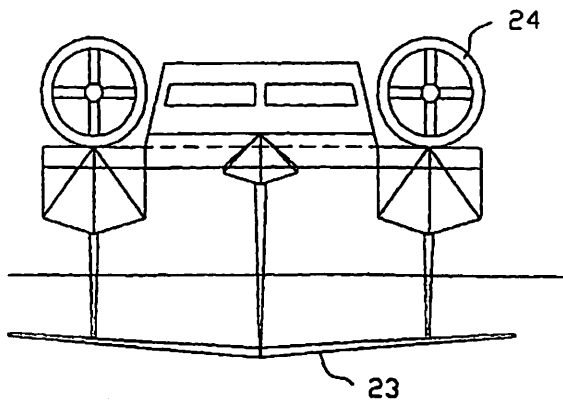


FIG. 5

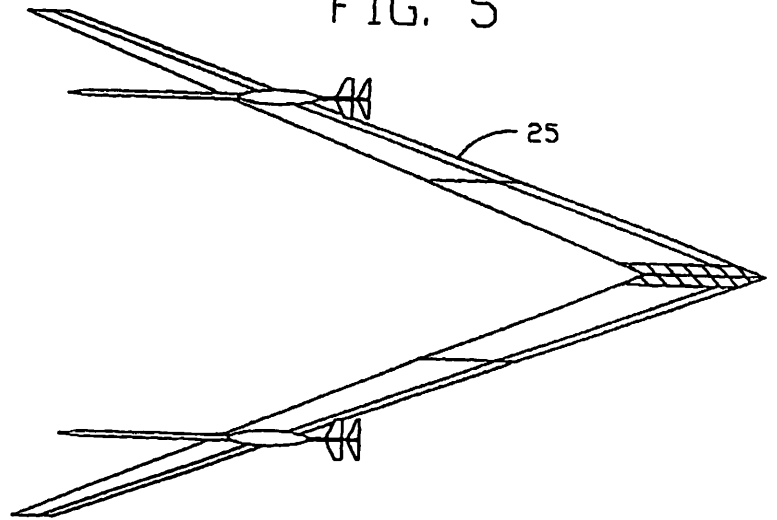


FIG. 6

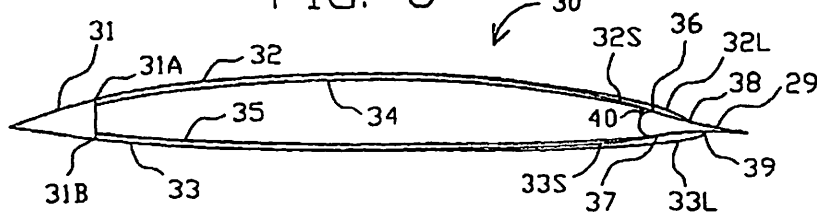


FIG. 41

