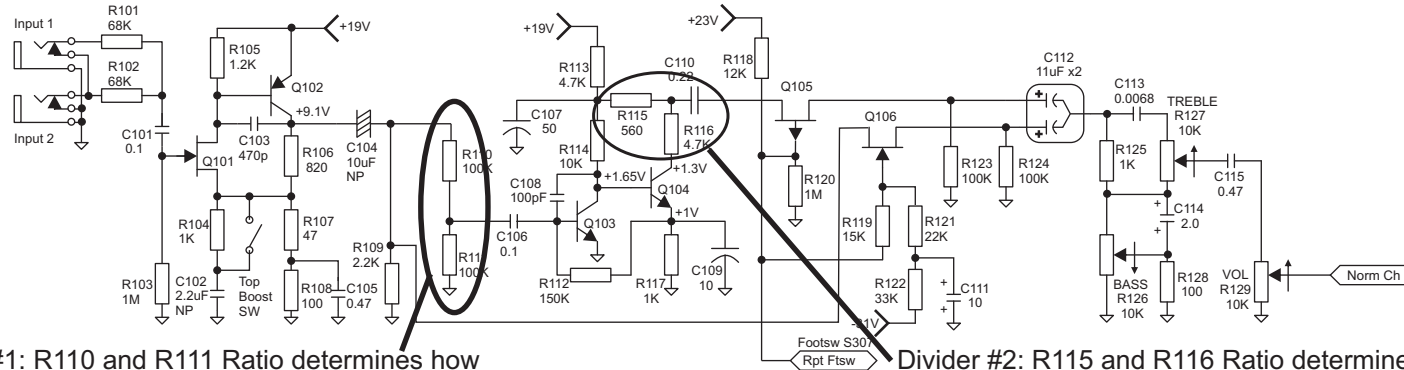


V1133 Preamps 1



Divider #1: R110 and R111 Ratio determines how hard the distortion circuit (Q103 and Q104) is driven. Affects fuzz hardness and volume. Drive is $R111/R110$, stock is 0.5. For softer fuzz, make $R111/R110$ smaller. Keep the parallel combination about 50K.

Divider #2: R115 and R116 Ratio determines distortion volume. Make R115 bigger to make it louder relative to the clean signal, and vice versa. For small changes (between $\frac{1}{2}$ and 2 times) you do not need to change R116.