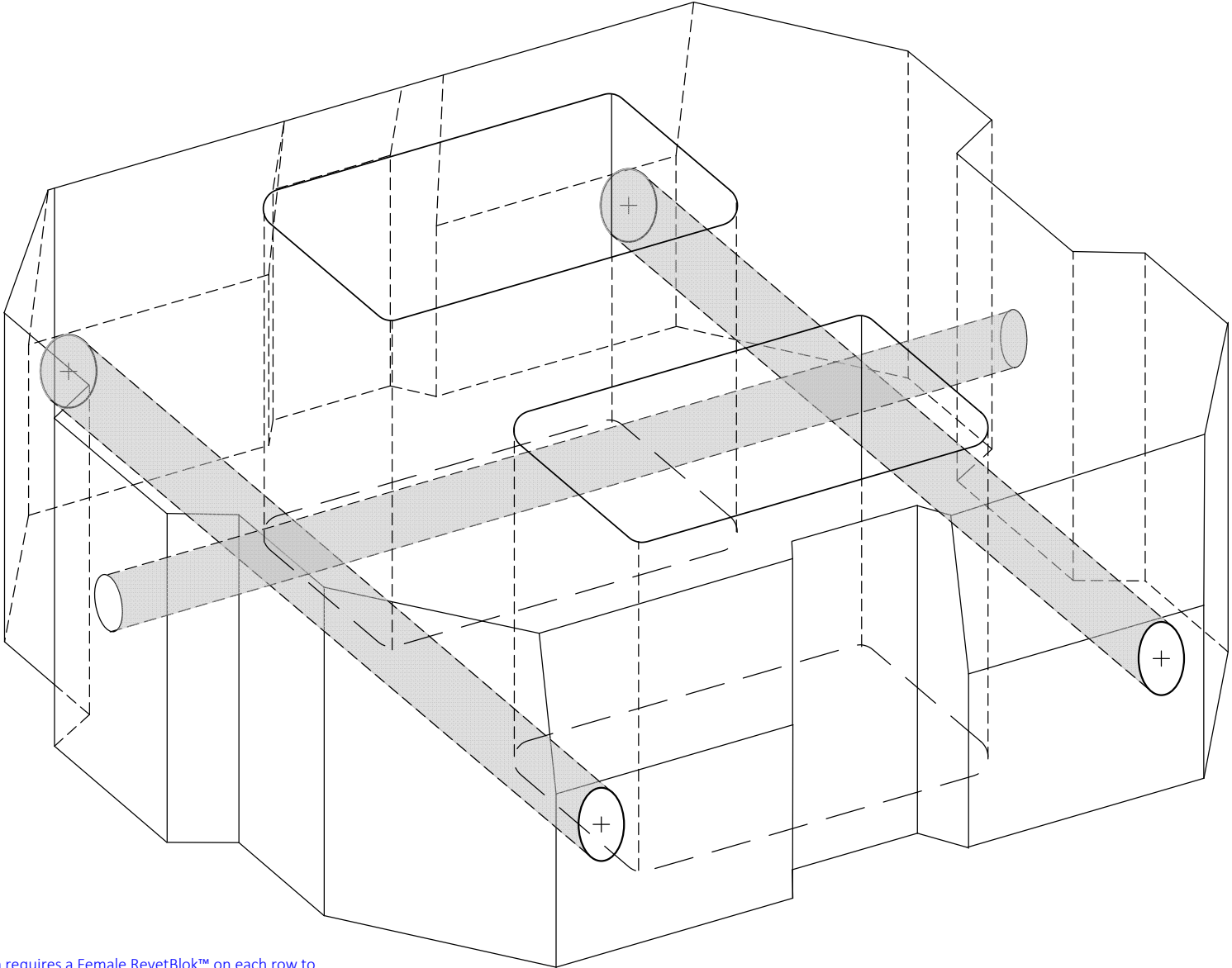


RevetBlok™ I R-51616-20 Male Block



NOTES

Mattress construction requires a Female RevetBlok™ on each row to allow the horizontal cable to be connected to the adjacent mattress.

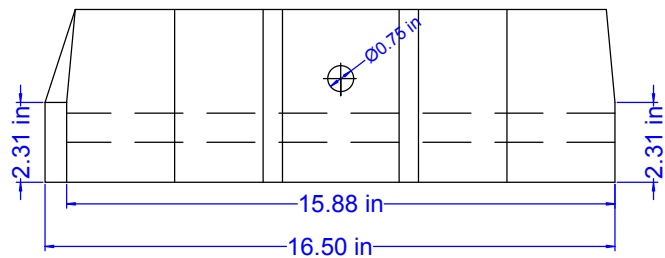
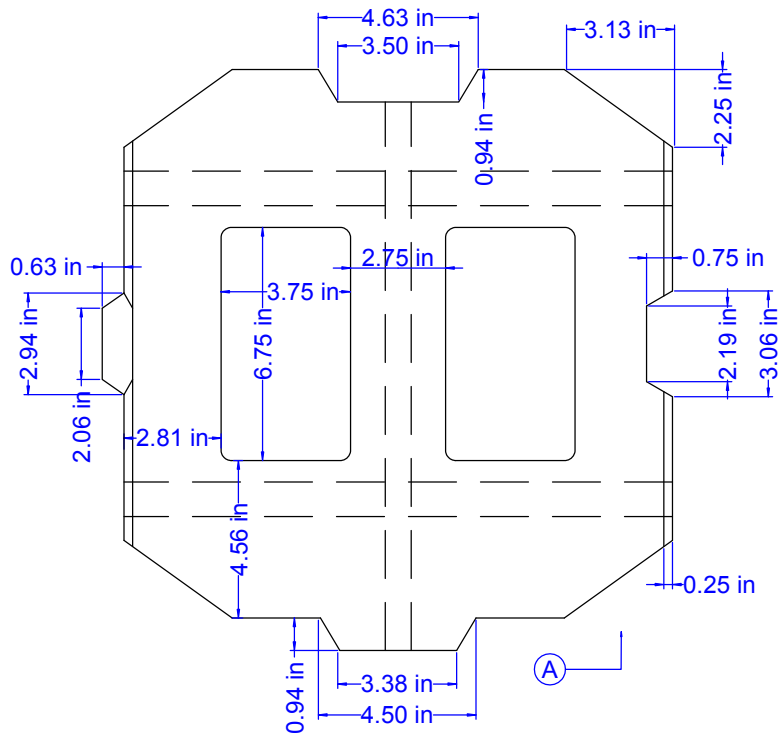
TECHNICAL SPECIFICATIONS

The RevetBlok is manufactured in accordance with ASTM 90 and C140.

- 1 - RevetBlok R-51616-20 Unit Weight is 71 - 76 lbs.
- 2 - Minimum Compressive Strength 4,000 psi.
- 3 - Maximum Absorption 5%.
- 4 - Dimensional Tolerance +/- 1/8".

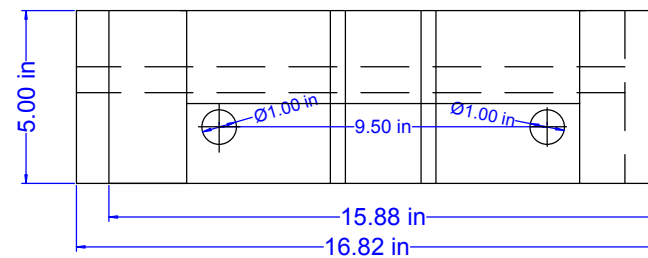
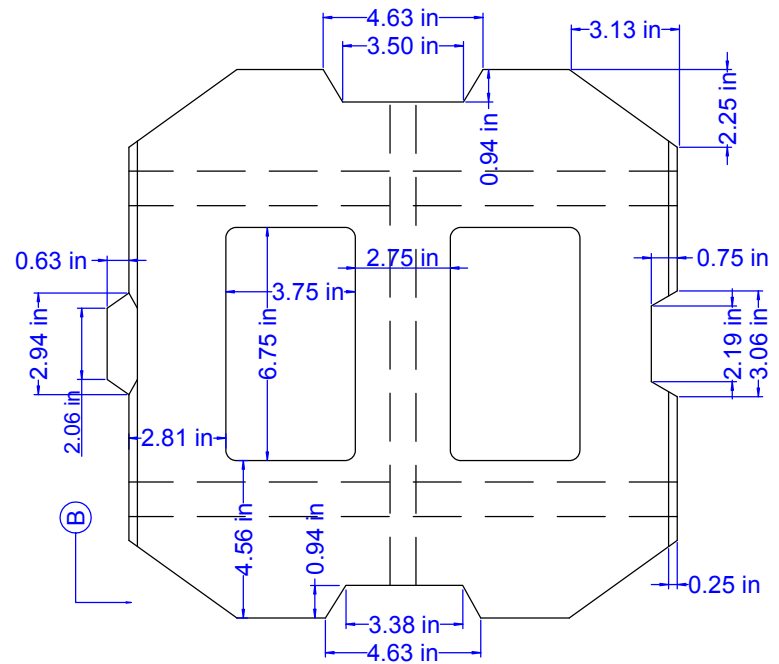
<p>RUDLOFF EROSION 1005 Farmers Rd Brenham, TX 77833 800-259-3178 Fax: 979-830-1040 www.rudlofferosion.com</p>	<p>RevetBlok R-51616-20</p>	<p>Date: 06-27-19</p>	<p>Drawing Name: Block Details</p>	
	<p>Project Name:</p>	<p>Revisions: Ver. 03</p>	<p>Scale Not To Scale</p>	

RevetBlok™ | R-51616-20 Male Block



Section A

RevetBlok™ | R-51616-20 Female Block



Section B

NOTES

Mattress construction requires a Female RevetBlok™ on each row to allow the horizontal cable to be connected to the adjacent mattress.

TECHNICAL SPECIFICATIONS

The RevetBlok is manufactured in accordance with ASTM 90 and C140.

- 1 - RevetBlok R-51616-20 Unit Weight is 71 - 76 lbs.
- 2 - Minimum Compressive Strength 4,000 psi.
- 3 - Maximum Absorption 5%.
- 4 - Dimensional Tolerance +/- 1/8".

RUDLOFF EROSION 1005 Farmers Rd Brenham, TX 77833 800-259-3178 Fax: 979-830-1040 www.rudlofferosion.com	RevetBlok™ R-51616-20	Date: 06-27-19	Drawing Name: Block Details
	Project Name:	Revisions: Ver. 03	Scale: Not To Scale