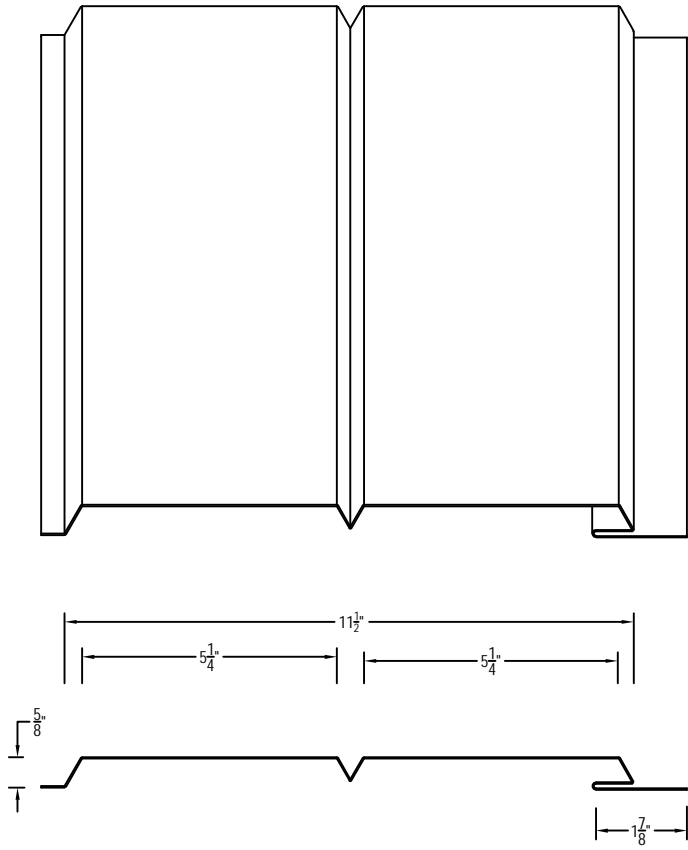


# V-GROOVE SOFFIT PANEL, SOLID



MATERIAL (please choose one):

24 GA Steel

.032 Aluminum

Color: \_\_\_\_\_

Finish: \_\_\_\_\_

PANEL CUT LIST (PANEL LENGTHS: 12"-120" MAX):

_____ @ _____ "	_____ @ _____ "
_____ @ _____ "	_____ @ _____ "
_____ @ _____ "	_____ @ _____ "
_____ @ _____ "	_____ @ _____ "
_____ @ _____ "	_____ @ _____ "
_____ @ _____ "	_____ @ _____ "
_____ @ _____ "	_____ @ _____ "
_____ @ _____ "	_____ @ _____ "
_____ @ _____ "	_____ @ _____ "
_____ @ _____ "	_____ @ _____ "
_____ @ _____ "	_____ @ _____ "
_____ @ _____ "	_____ @ _____ "
_____ @ _____ "	_____ @ _____ "
_____ @ _____ "	_____ @ _____ "
_____ @ _____ "	_____ @ _____ "
_____ @ _____ "	_____ @ _____ "
_____ @ _____ "	_____ @ _____ "
_____ @ _____ "	_____ @ _____ "
_____ @ _____ "	_____ @ _____ "

Sheet \_\_\_ of \_\_\_ .

DWG# 710-001

Notes:

- 1) Ship To Address: \_\_\_\_\_  
City: \_\_\_\_\_ State: \_\_\_\_\_ Zip: \_\_\_\_\_
- 2) Written approval is required prior to fabrication, contractor is responsible for all dimensions and quantities. Fabricated items are not returnable.

Temple Architectural Products  
1111 Lowell St.  
Elyria, OH 44035

Phone: (440) 323-9393  
Fax: (440) 412-7559

Project Name: \_\_\_\_\_

Installing Contractor: \_\_\_\_\_

Contact Name: \_\_\_\_\_

Contact number: \_\_\_\_\_

Signed Approval: \_\_\_\_\_